



SUPU 速普

轨装接线端子选型手册
RAIL-MOUNTED TERMINAL BLOCK



SUPU 速普

PCB连接器及端子选型手册
PCB CONNECTORS AND TERMINAL BLOCKS



SUPU 速普

工业开关选型手册
INDUSTRIAL SWITCH



SUPU 速普

圆形连接器选型手册
CIRCULAR CONNECTOR BLOCK



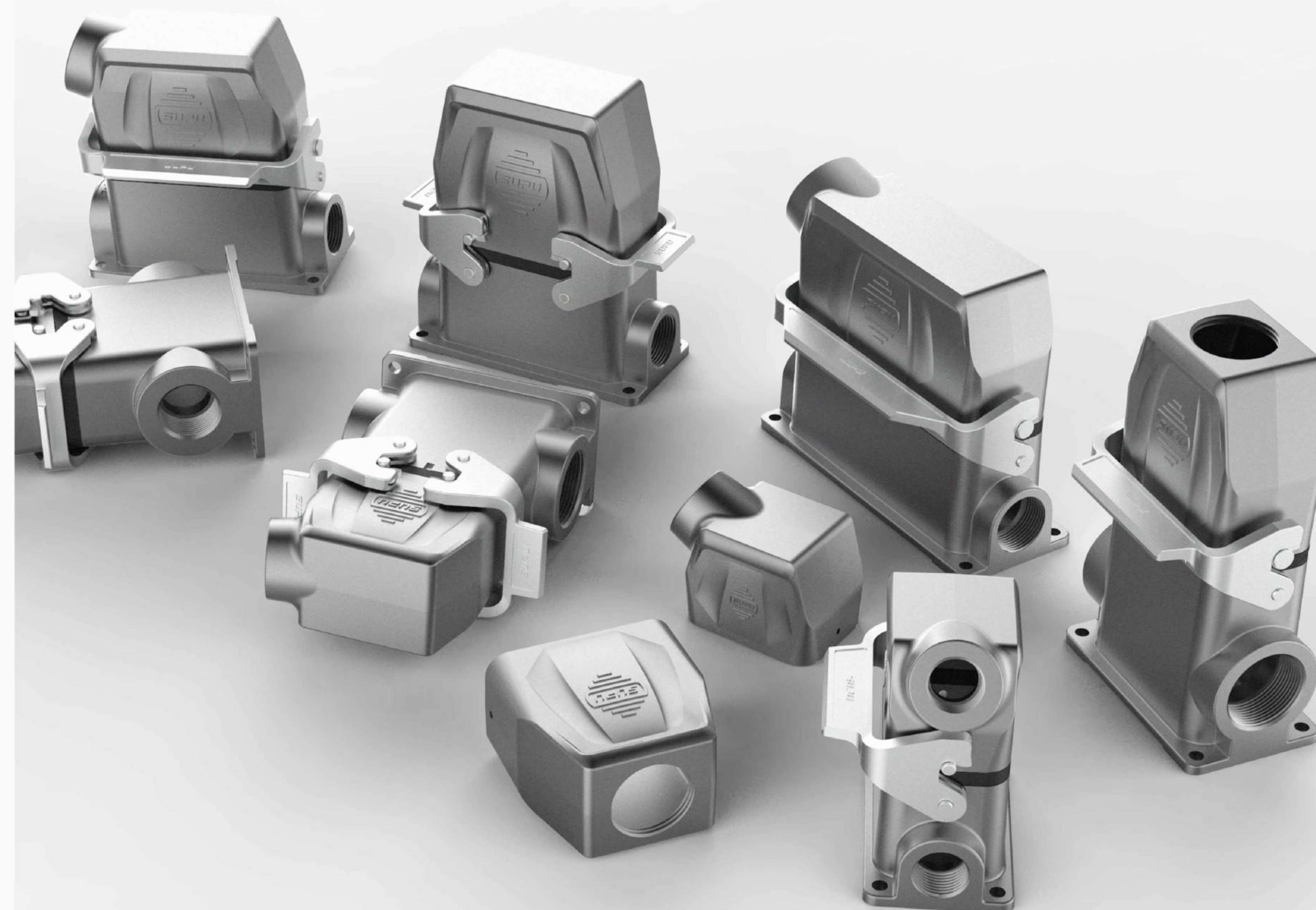
SUPU 速普

接口模块选型手册
INTERFACE MODULE



SUPU 速普

定制部件选型手册
CUSTOMERIZED PARTS



SUPU 速普

宁波速普电子有限公司
NINGBO SUPU ELECTRONICS CO.,LTD.

地址 | 浙江省慈溪市高新技术产业开发区新兴四路150号
Add | #150,Xinxing No.4 Rd, High-tech Zone ,Cixi, Zhejiang,China.
P.C. | 315303
Service Hotline | 400-626-6336
Tel | 0574-63288158
Fax | 0574-63288170
E-mail | askme@supu.cn
Http | www.supu.com.cn



V2.4 I

重载连接器选型手册
HEAVY DUTY CONNECTOR



宁波速普电子成立于1999年，现有电连接器、工业开关、电子产品、定制化产品四大业务版块，是一家集研发、生产、销售、服务于一体的电气产业全球优秀供应商。

速普产品包括轨装接线端子、PCB连接器、工业开关、圆形连接器、重载连接器、接口模块等。公司产品已通过CQC、UL、VDE、TUV、CE、ROHS、REACH等多项认证。公司已通过ISO9001、ISO14001、ISO/TS22163和IATF16949等管理体系认证。

速普产品广泛应用于电梯、电力、轨道交通、工业自动化、新能源、照明、船舶、仪器仪表、机械设备等领域。自公司创立以来，秉承产品创新与科技前瞻的精神，建立了先进的技术研发中心，已获得国家高新技术企业、国家专精特新小巨人企业、宁波工程技术中心等多项荣誉。

在提供标准产品外，同时为客户带去定制化产品解决方案，有效满足客户个性化需求。速普建立了完善的全球销售网络，产品畅销中国、俄罗斯、德国、西班牙、美国、巴西、日本等100多个国家和地区。

Ningbo Supu Electronics Co., Ltd. was established in 1999, which has been a collection of R&D, production, sales, service in one of the world's outstanding suppliers of electrical industry, with four business sections: electrical connector, industrial switch, electronic products, and customized components.

Supu products include Rail-mounted terminals, PCB connectors, Industrial switches, Circular connectors, Heavy-duty connectors, Interface modules, etc. which have passed CQC, UL, VDE, TUV, CE, ROHS, REACH and other certifications. The company has passed ISO9001, ISO14001, ISO/TS22163 and IATF16949 management system certification.

Supu products are widely used in elevator, electric power, rail transit, industrial automation, new energy, lighting, ships, instruments, mechanical equipment and other fields. Since its establishment, adhering to the spirit of product innovation and technological foresight, the company has established an advanced technology research and development center, which has won many honors such as National High-tech Enterprise, National Specialized and New Small Giant Enterprise, Ningbo Engineering Technology Center, etc.

In addition to providing standard products, Supu also bring customized product solutions to effectively meet customers' personalized needs. Supu has established a perfect global sales network, and its products sell well in more than 100 countries and regions such as China, Russia, Germany, Spain, the United States, Brazil, Japan, etc.

使命 Mission

追求全体员工物质和精神两方面的幸福，提升企业价值，
为人类和社会进步与发展做出贡献
Pursuit happiness of all staff in material & spiritual,
promote the enterprise value, contribute to the progress
& development for human & society



愿景 Corporation Vision

成为全球电气产业经营典范
To be the model of the global electric industry



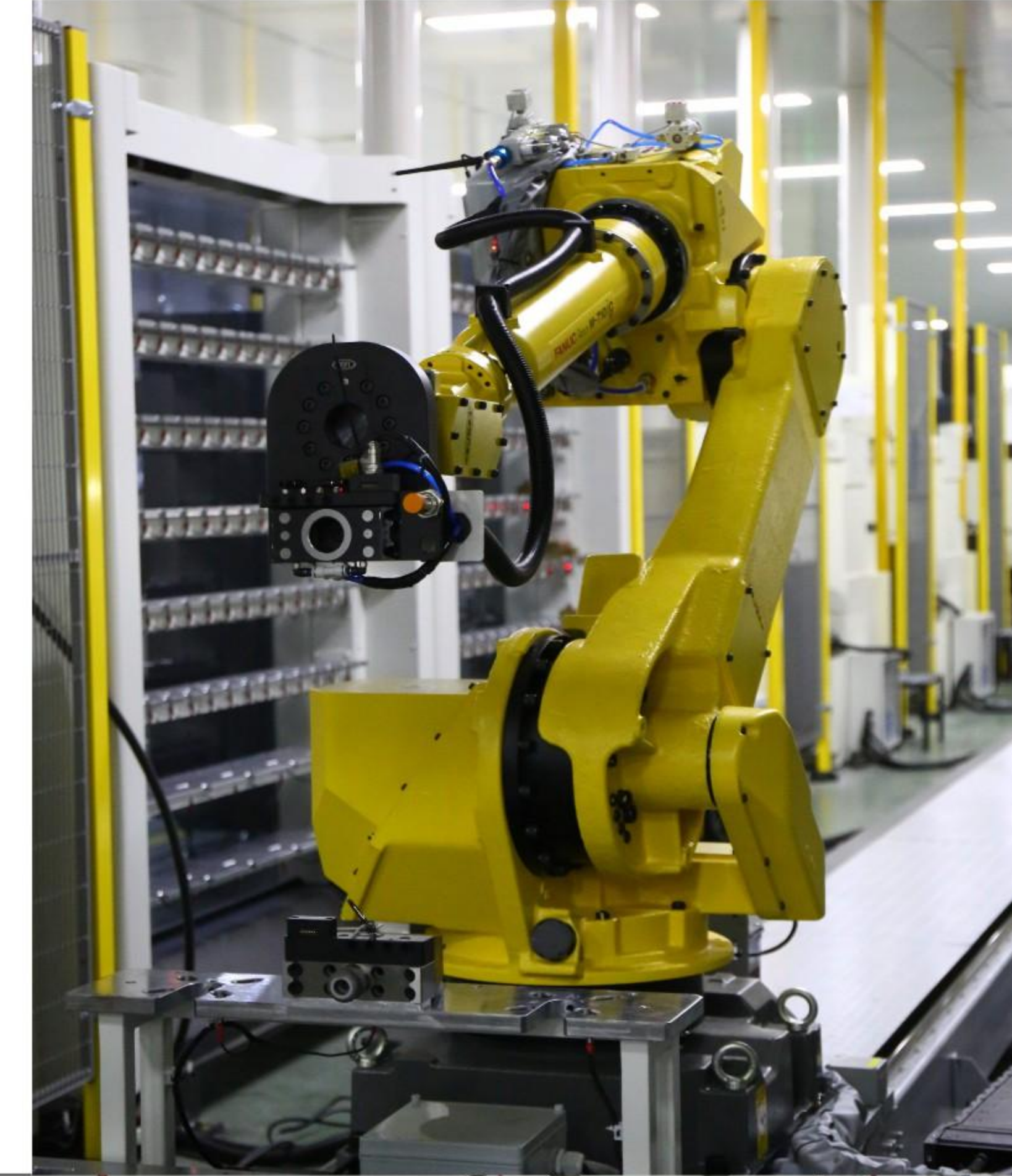
核心价值观 Core Values

勤奋、创新、内求、利他
Diligence, Innovative, Self-seeking, Altruism



质量方针 Quality Policy

追求全程精益品质 持续改进 超越顾客期望 打造行业品牌
To pursuit full lean quality Continuous improvement Exceed
customers expectations Build industry brand



2024新启航 New sail in 2024

开启新征程，共创新辉煌
New journey, New success.
——系统性目标管理，数字化高效运营，打造坚实经营体质
—— Systematic target management,
Digital and efficient operation,
To create a solid management constitution.



产品安装示意图 Installation Diagram

- P01 产品安装示意图/Installation Diagram
- P02 产品选型指南/Selection Guide
- P04 接线方式/Connection mode
- P05 外壳防护等级/Enclosure protection class

插芯 Inserts

- P06 SA系列(小型插芯)/SA Series
- P11 SE系列(常规型插芯)/SE Series
- P18 SEE系列(高密度型插芯)SEE Series
- P25 SD系列(超高密度型插芯)SD Series
- P34 SDD系列(超高密度型插芯)SDD Series

外壳 Shell

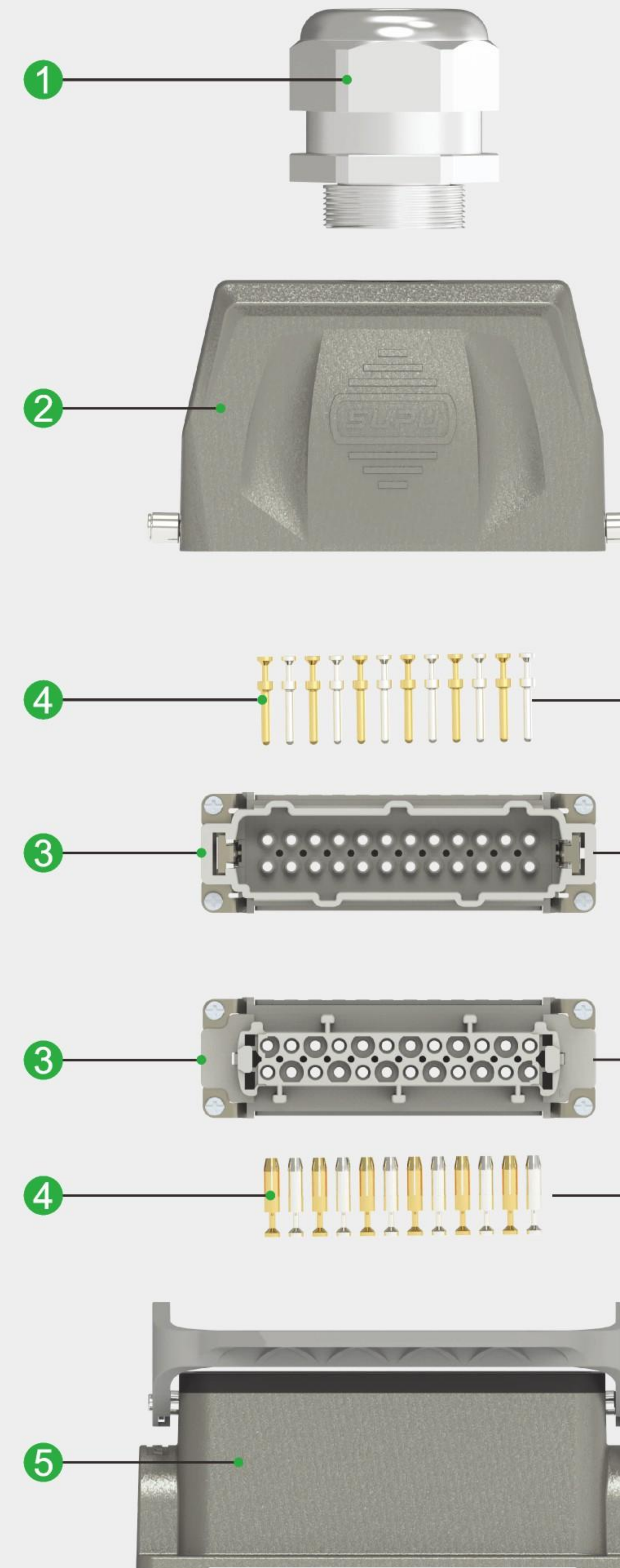
- P41 3A外壳 /3A Hoods/Housings
- P43 10A外壳 /10A Hoods/Housings
- P44 16A外壳 /16A Hoods/Housings
- P45 32A外壳 /32A Hoods/Housings
- P47 6B外壳 /6B Hoods/Housings
- P49 10B外壳 /10B Hoods/Housings
- P55 16B外壳 /16B Hoods/Housings
- P61 24B外壳 /24B Hoods/Housings
- P67 32B外壳 /32B Hoods/Housings
- P69 48B外壳 /48B Hoods/Housings

附件 Accessories

- P70 电缆接头 /Cable glands
- P70 工具 /Tool
- P71 外壳安装尺寸 /Housing mounting dimensions

插针&工具

- P73 插针种类(5A 10A 16A 40A 70A 100A 200A)
/Pin type (5A 10A 16A 40A 70A 100A 200A)



① 电缆接头/Cable gland

尼龙或铜合金镀镍/Nylon or brass nickel plated
通用电缆接头/Universal cable glands
平口电缆接头 (带单层密封圈或多层密封圈)
Cable gland with normal or multiple seal
其他电缆接头/Other cable gland

② 上壳/Hoods

标准或高结构/Low or high construction
顶部进线或侧面进线/Top or side cable entry
2耳、4耳或2扣/2 blots or 4 blots or 2 locking lever

③ 公插体、母插体/Male insert or Female insert

螺钉连接/Screw connection
冷压连接/Crimp connection
弹片连接/Spring-cage connection

④ 冷压针(适用冷压接线的插体)/Crimp contacts (only for crimp terminal insert)

镀金或镀银/Golden plated or Silver plated
额定电流/Rated current:5A、10A、16A、40A

⑤ 下壳/Housings

开孔安装、表面安装或电缆对接
Bulkhead mounting or surface mounting or cable to cable
标准或高结构/Low or high construction
1扣、2扣、4耳/1 or 2 locking levers or 4 bolts
带塑料盖或带金属盖或不带盖
With or without thermoplastic/metal covers

插芯型号说明 /Insert model description

SE - **006** - **M**

接线形式 Connection Type
 M/F:公/母螺钉连接 Male/Female screw connection
 MS/FS:公/母弹片连接 Male/Female cage-connection
 MC/FC:公/母冷压连接 Male/Female crimp connection

接线位数 Number of contacts

产品系列 Series

防护外壳 /Housings

S6B - **SE** - **2B** - **M20** - **PC**

保护盖材料
 PC=塑料/plastic MC=金属/metal

螺纹规格 Thread size

耳数/锁扣数 Locking lever
 2B: 2耳/2 bolts 1L: 1扣/1 levers 1L.M: 1扣.金属/1 levers.Metal
 4B: 4耳/4 bolts 2L: 2扣/2 levers 2L.M: 2扣.金属/2 levers.Metal

壳体类型 Housing type
 SE: 边出线/Side entry
 SEH: 边出线-高结构/Side entry-high construction
 TE: 顶出线/Top entry
 TEH: 顶出线-高结构/Top entry-high construction
 BM: 开孔安装/Bulkhead mounted
 SM: 表面安装/Surface mounted
 SMH: 表面安装-高结构/Surface mounted-high construction
 CC: 电缆对接/Cable to cable
 CCH: 电缆对接-高结构/Cable to cable-high construction

产品系列 Series

插针 /Contact

SC - **S** **F** - **10** - **0.5**

接线范围 Wire cross section
 0.5 = 0.5mm²

额定电流 Rated current
 10 = 10A

插针类别 Gender
 M = 公插针/male contact
 F = 母插针/Female contact

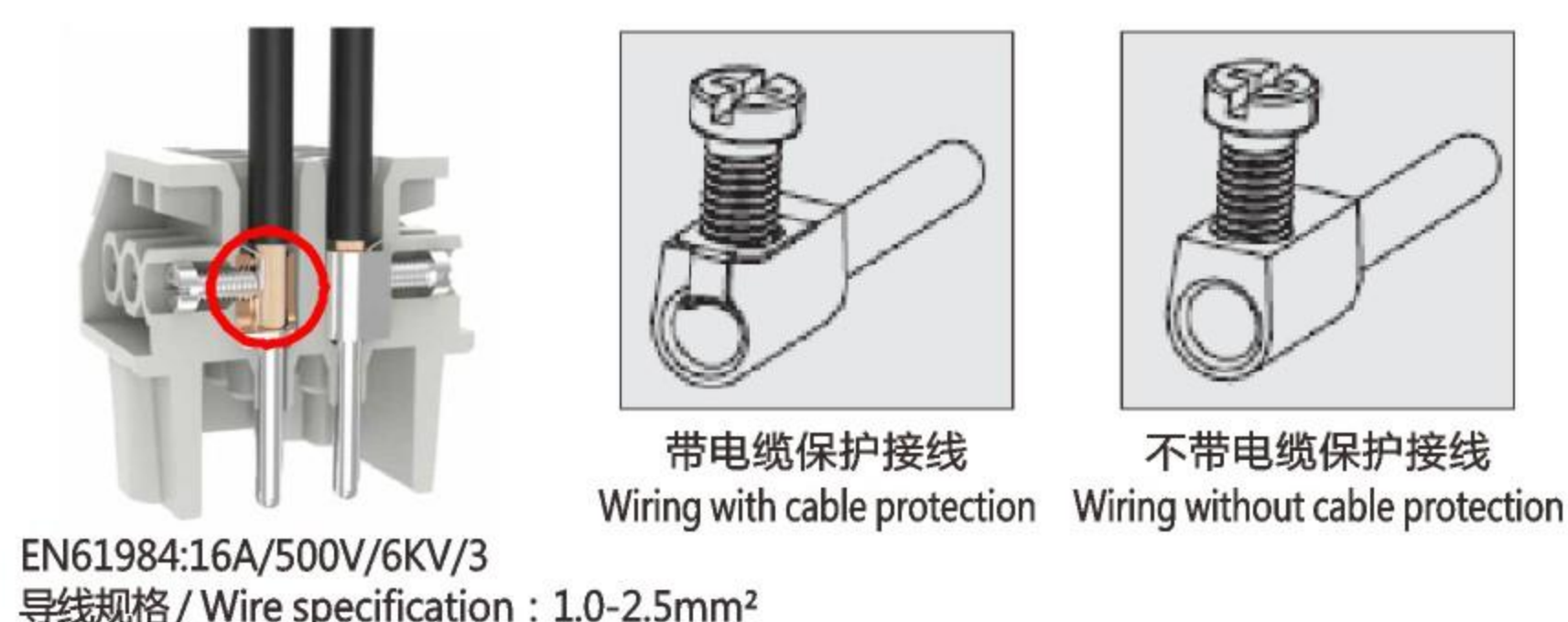
表面处理 Plating
 S = 镀银/Ag plating
 G = 镀金/Au plating

产品系列 Series

系列/Series	芯数/Number contacts	额定电压/Rated voltage (V)	额定电流/rated current (A)	A		D		DD		E		EE	
				10	16	10	16	10	16	10	16	10	16
S3A	3	230/400	10	10	10	10	10	10	10	10	10	10	10
S10A	10	250	10	10	10	10	10	10	10	10	10	10	10
S16A	16	250	10	10	10	10	10	10	10	10	10	10	10
S32A	32	250	10	10	10	10	10	10	10	10	10	10	10
S6B	6	250	10	10	10	10	10	10	10	10	10	10	10
S10B	10	250	10	10	10	10	10	10	10	10	10	10	10
S24B	24	250	10	10	10	10	10	10	10	10	10	10	10
S32B	32	250	10	10	10	10	10	10	10	10	10	10	10
S48B	48	250	10	10	10	10	10	10	10	10	10	10	10

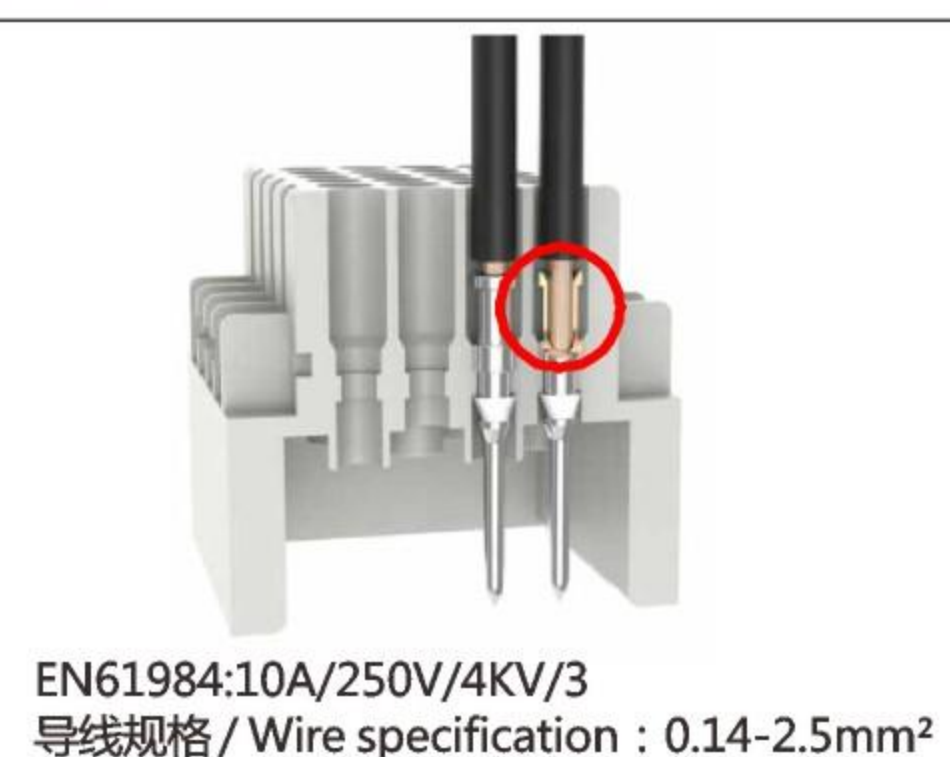
螺钉连接 / Screw terminal

优点 / advantage :
 行业应用范围广 / Wide range of industry applications
 不用专用工具压接 / Crimping without special tools
 简易操作方式 / Simple operation mode
 可靠性高 工作寿命长 / High reliability and long working life
 可供接线芯数6P-48P+PE / The number of wiring cores 6p-48p + PE
 产品系列 / Product line : SA,SE等螺钉系列 / SA, Se and other screw series



冷压连接 (一) / Crimp terminal (1)

优点 / advantage :
 可实现线束预先安装 / Pre installation of wiring harness can be realized
 同一插体可先不同插针镀层 / The same insert can be coated with different pins first
 类似于冷焊, 保证了耐腐蚀性 / Similar to cold welding, it ensures corrosion resistance
 简易安装方式, 维护方便 / Simple installation, easy maintenance
 可供接线芯数7P-216P+PE / The number of wiring cores 7p-216p + PE is available
 产品系列 / Product line : SD,SDD,SQ等冷压系列 / SD, SDD, SQ and other cold pressing series
 附件工具, 冷压钳与退针器 / Accessory tools, cold press forceps and needle retractor



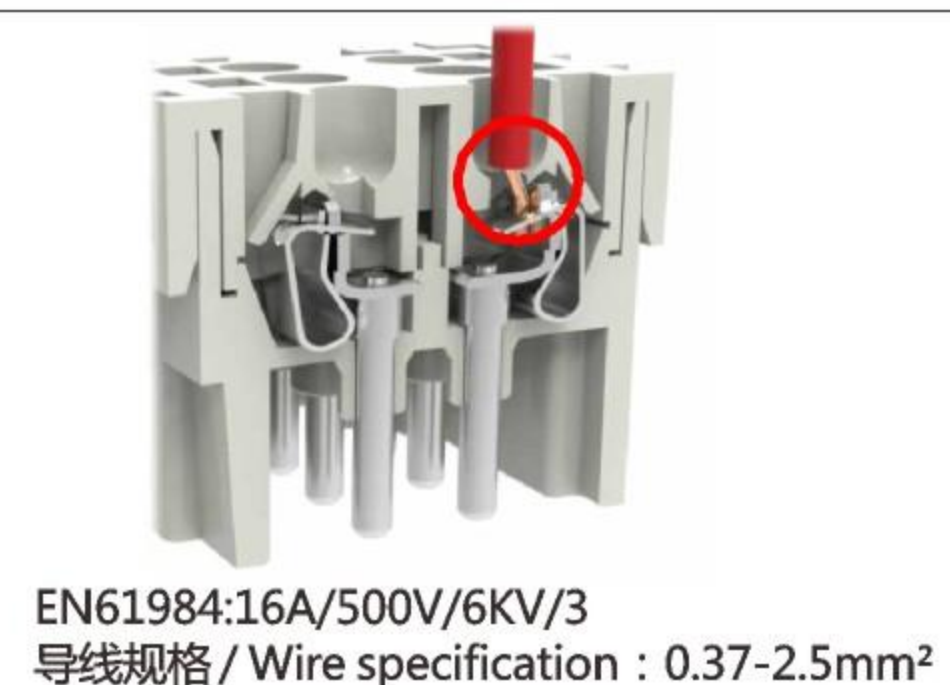
冷压连接 (二) / Crimp termina(2)

优点 / advantage :
 可实现线束预先安装 / Pre installation of wiring harness can be realized
 同一插体可选用不同插针镀层 / The same insert can be coated with different pins first
 类似于冷焊, 保证了耐腐蚀性 / Similar to cold welding, it ensures corrosion resistance
 简易安装方式, 维护方便 / Simple installation, easy maintenance
 可供接线芯数 10P-92P+PE / The number of wiring cores 10p-92p + PE is available
 可靠性良好, 工作寿命长 / Good reliability and long working life
 插针卡点 (塑件与插针) 如图 / The pin clamping point (plastic part and pin) is shown in the figure
 产品系列 / Product line : SE,SEE等冷压系列 / SE, SEE and other cold pressing series
 附件工具:冷压钳与退针器 / Accessory tools, cold press forceps and needle retractor



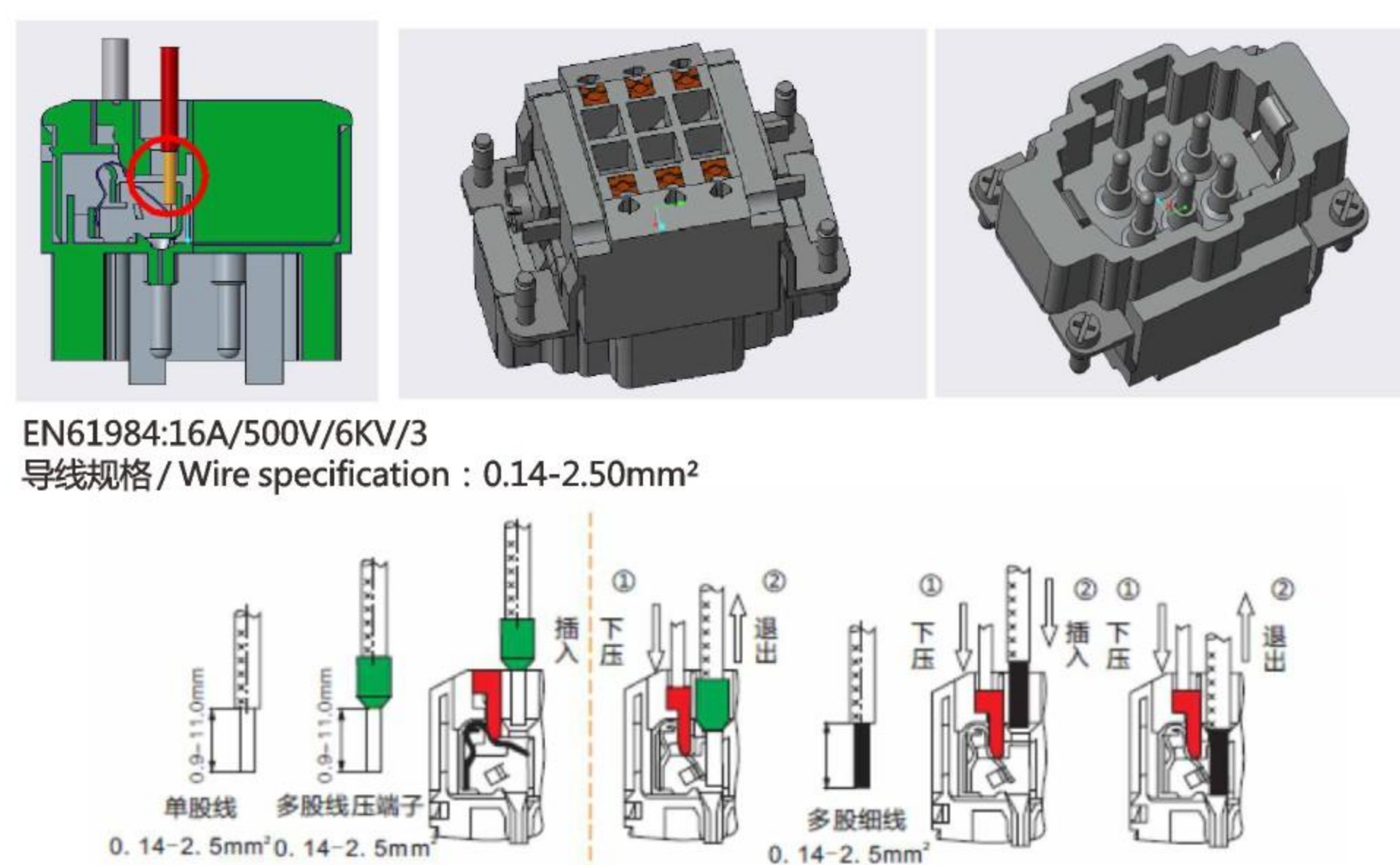
弹片连接 / Cage-clamp

优点 / advantage :
 针可本身带插针 / The needle can have its own pin
 接线不用专用工具 / No special tools are needed for wiring
 简易操作方式 / Simple operation mode
 适应于振动场合 / Suitable for vibration situation
 可供接线芯数6P-48P+PE / 6p-48p + PE can be provided
 产品系列 / Product line : SE笼式连接系列 / SE cage connection series



直插式弹片连接 / Plug in cage-clamp

优点 / advantage :
 可实现线束预先安装
 Electriferous installation can be realized
 可实现带电安装
 Live installation possible
 简易安装方式, 维护方便
 Simple installation, easy maintenance
 可供接线芯数 6P-48P+PE
 The number of wiring cores 6P-48P+PE is available
 可靠性良好, 工作寿命长
 Good reliability and long working life
 插针卡点 (塑件与插针) 如图
 The pin clamping point (plastic part and pin) is shown in the figure
 产品系列 / Product line : SE直插系列
 SE direct insertion series



连接器上的外壳, 密封垫和锁扣是为了保护连接器的电气部件不受外部影响, 比如灰尘, 异物, 水, 油污, 湿气及其它物质等等。
 The shell, sealing pad and lock catch on the connector are designed to protect the electrical components of the connector from external influences, such as dust, foreign matters, water, oil, moisture and other substances.

字母代码 alphabetil code	第一个数字 (防固体异物保护) First digit (protection against solid foreign matter)	第二个数字 (防水保护) Second digit (waterproof protection)	
IP	6	5	
数字 Number	防护等级 Degree of protection	数字 Number	防护等级 Degree of protection
0	无任何防护 No protection	0	无任何防护 No protection
1	大物体防护(防止φ > 50mm的异物进入) Large object protection (prevent φ > 50mm foreign matters from entering)	1	滴水防护(防止水滴进入) (to prevent water from entering)
2	中大物体防护(防止φ > 12mm的异物进入) Protection of medium and large objects (prevent φ > 12mm foreign matters from entering)	2	滴水防护(防止倾斜的水滴进入, 角度少于15°) Dripping protection (to prevent the entrance of inclined water drops with an angle of less than 15°)
3	小物体防护(防止φ > 2.5的物体进入) Small object protection (prevent φ > 2.5 objects from entering)	3	防溅保护(防止角度少于60°的水进入) Protection against splashing (protection against water at an angle of less than 60°)
4	固体颗粒物防护(防止φ > 1mm的图体进入) Protection of solid particles (prevent φ > 1mm figure from entering)	4	防喷水保护(防止任意方向喷水) (prevent water spray in any direction)
5	灰尘沉淀防护(防止内部灰尘沉淀) Dust precipitation protection (to prevent internal dust precipitation)	5	防射水保护(防止任意方向水从喷嘴呈水柱射出) Water injection protection (to prevent water from flowing out of the spray nozzles in any direction)
6	灰尘进入防护(防止灰尘进入) (to prevent dust entry)	6	超强防水保护(防止任意方向从喷嘴大量射出) Super water-proof protection (prevent large amount of spray from any direction)
		7	浸水保护(防止短暂性的浸水) Flooding protection (to prevent temporary flooding)
		8	深水保护 (防水压保护) (waterproof pressure protection)

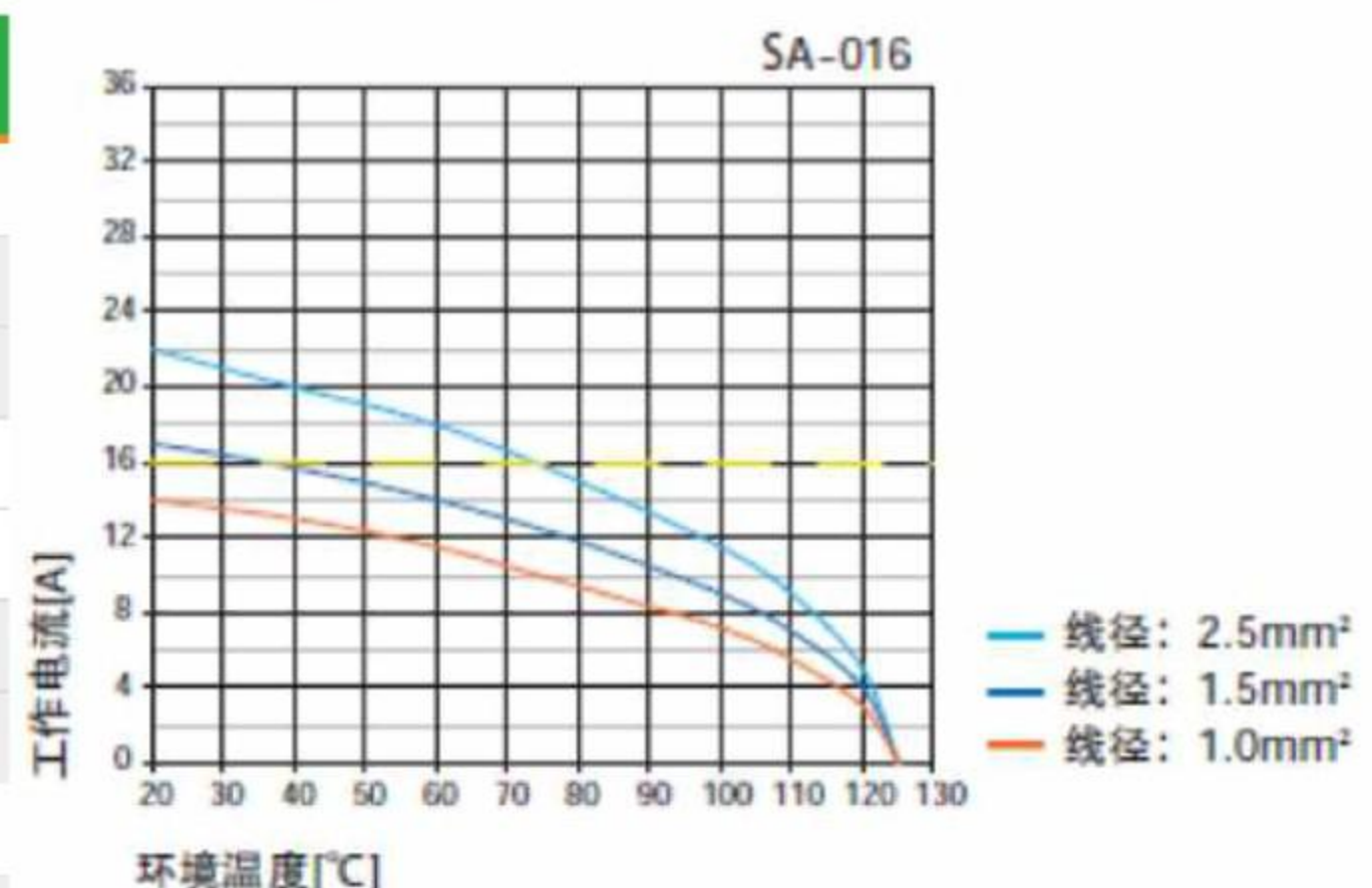
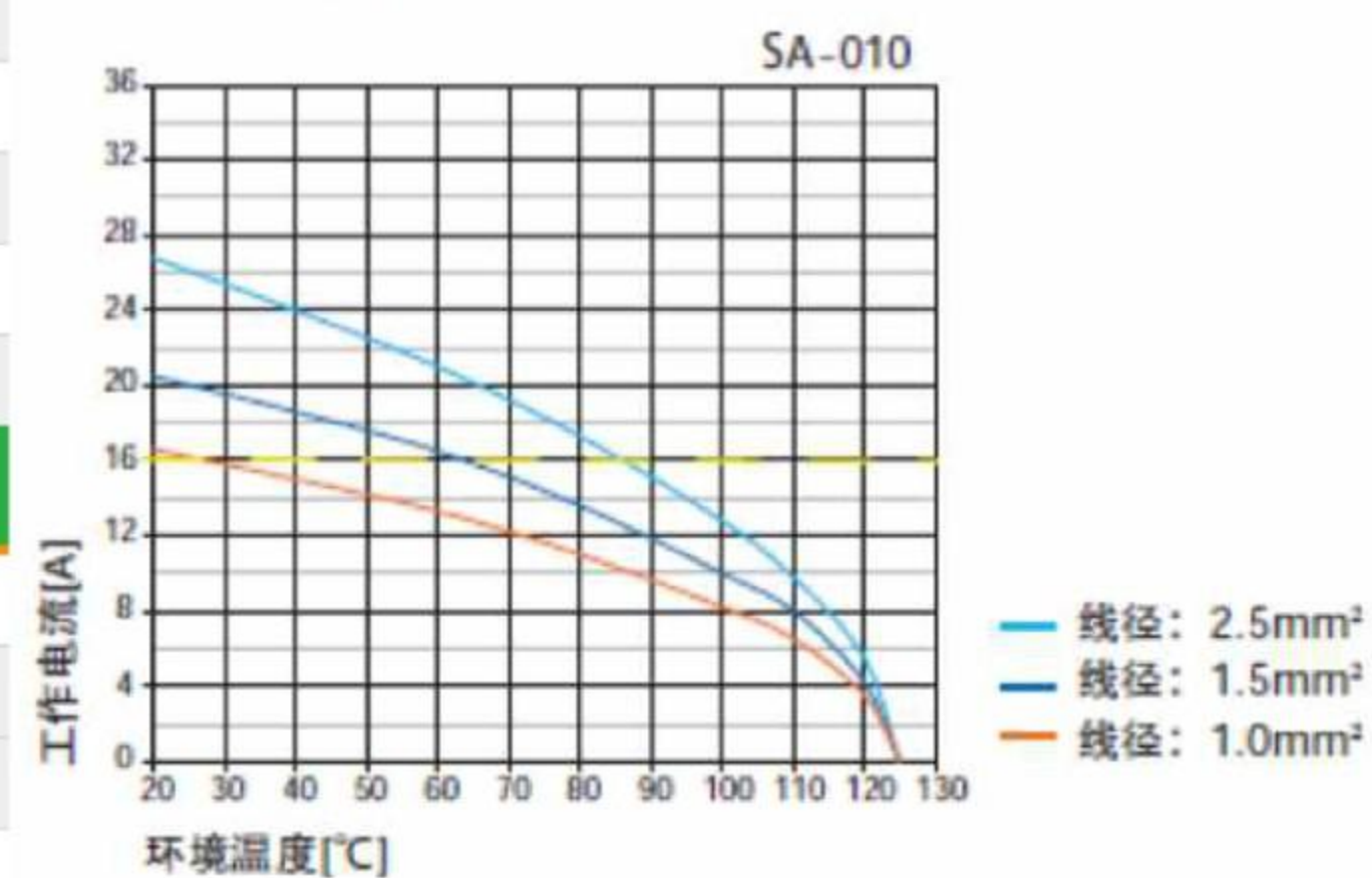
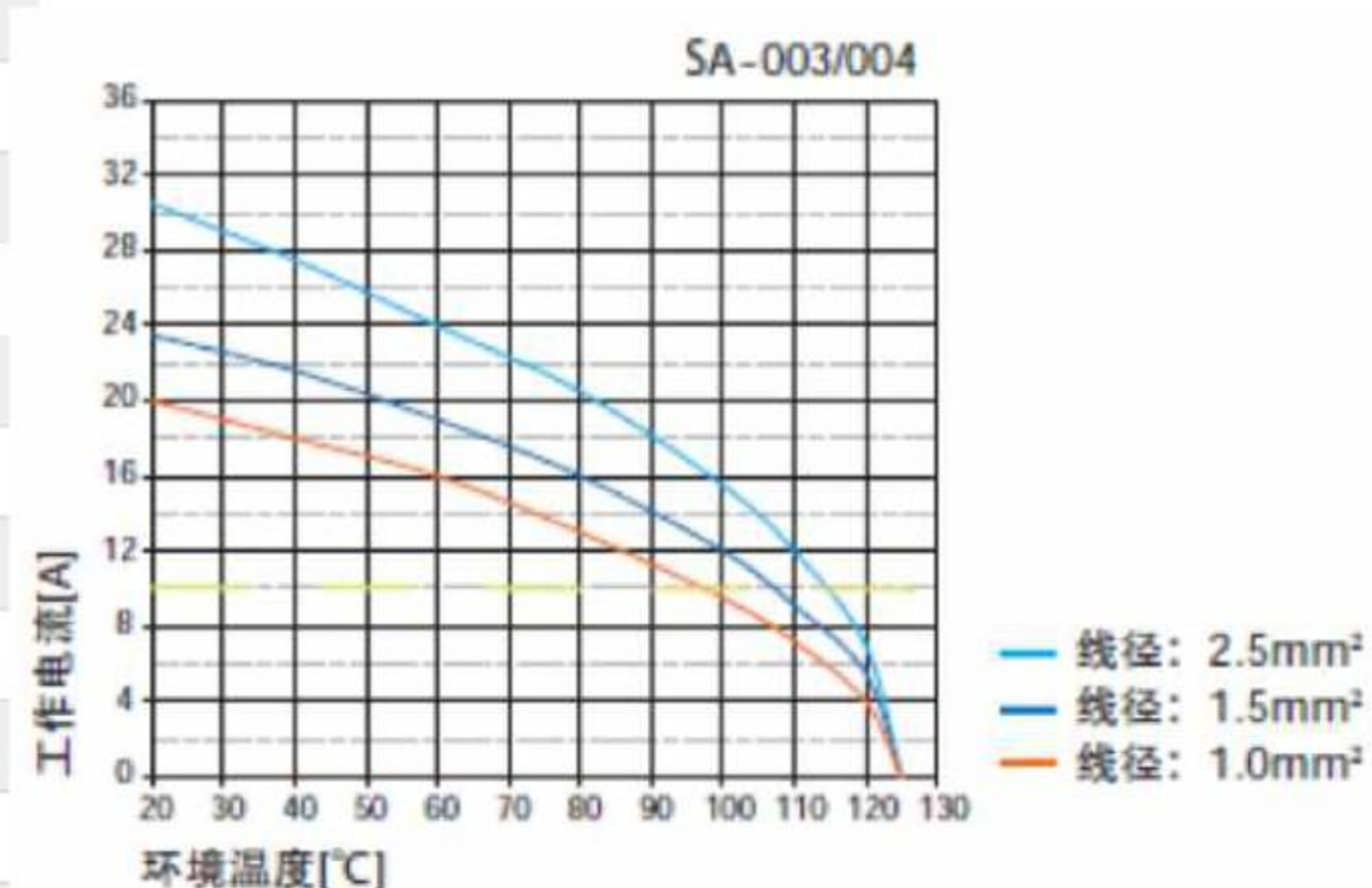
SA 系列(小型插芯)/SA SERIES (small core)

技术参数 Technical characteristics	
规范/Specifications	DIN EN60664 DIN EN61984
插芯 Inserts	
接插件针数/Number of Contacts	3,4,10,16,32 (2x16) + PE
SA-003/SA-004	
额定电流/Rated Current	10A
相对地额定电压/Rated Voltage Conductor-ground	230V
相间额定电压/Rated Voltage Conductor-conductor	400V
额定脉冲电压/Rated Impulse Voltage	4KV
污染程度/Pollution Degree	3
或/Or	10A 250V 4KV 3
SA-010/SA-016	
额定电压/Rated Voltage	16A
额定脉冲电压/Rated Impulse voltage	250V
污染程度/Pollution Degree	4KV
污染等级2时的参数/Pollution Degree 2 Also	3
依据UL/CSA额定电压/Rated Voltage Acc.to UL / CSA	16A 230/400V 4KV 2
绝缘电阻/Insulation Resistance	600V
材料/Material	$\geq 10^{10}\Omega$
工作温度范围/Limiting Temperatures	聚碳酸酯/Polycarbonate
阻燃等级/Flammability Acc.to UL94	-40°C ~ +125°C
可拔插次数/Mechanical Working Life-mating Cycles	V0
	≥ 500
插针 Contacts	
材料/Material	铜合金/Copper Alloy
表面处理/Surface	镀金/Gold plating 镀银/Silver plating
接触电阻/Contact Resistance	$\leq 1m\Omega$
接线方式 Connection type	
螺钉连接 / Screw terminal	
导线规格/Wire Gauge	0.75-1.5mm ² (SA-003/SA-004) 0.75-2.5mm ² (SA-010/SA-016)
AWG	18-16(SA-003/SA-004) 18-14(SA-010/SA-016)
拧紧力矩/Tightening Torque	0.25Nm(SA-003/SA-004) 0.5Nm(SA-010/SA-016)
冷压连接 / Crimp Terminal	
导线规格/Wire Gauge	0.14-4.0mm ²
AWG	26-12
弹片连接/Cage-clamp	
导线规格/Wire Gauge	0.14-2.5mm ²
AWG	26-14

电流负载能力/Current load capacity

电流负载能力所受的限制主要来自包含接插针的接插体可承受的最大温度。
The limitation of current load capacity mainly comes from the plug-in body with pin Maximum temperature.

测试和控制过程依据DIN EN 60512-5
Test and control process according to DIN EN 60512-5



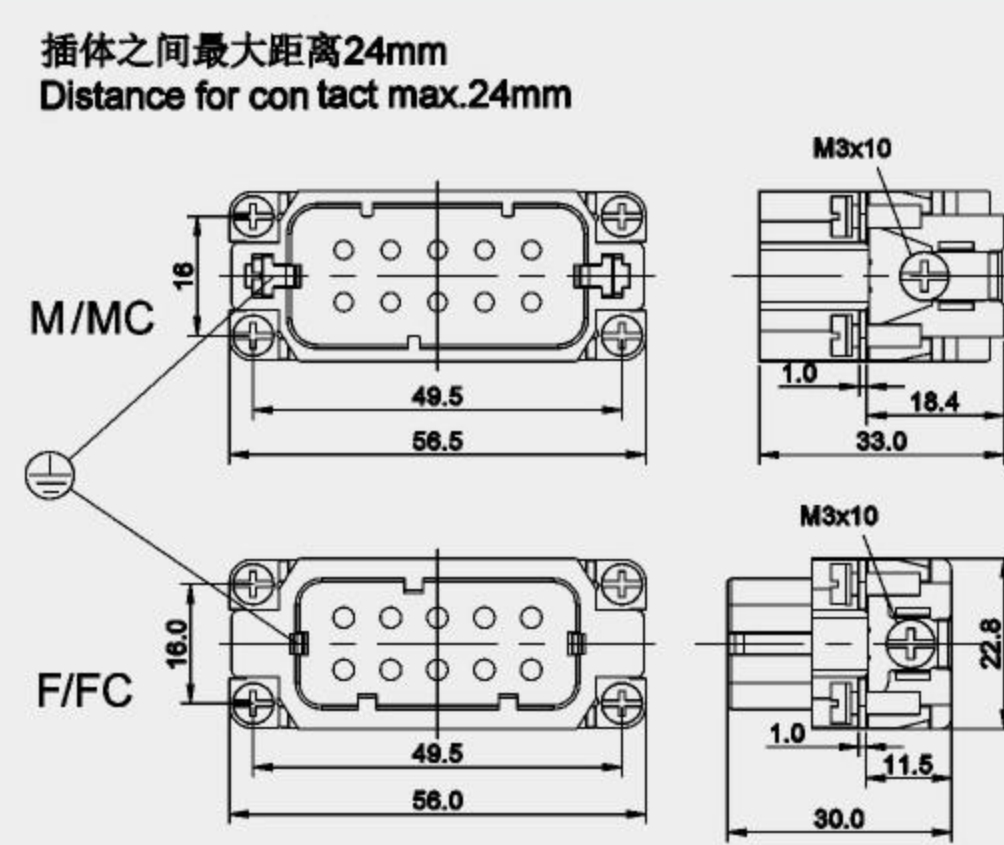
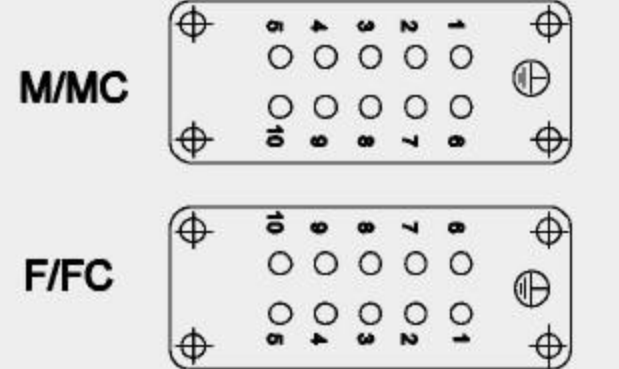
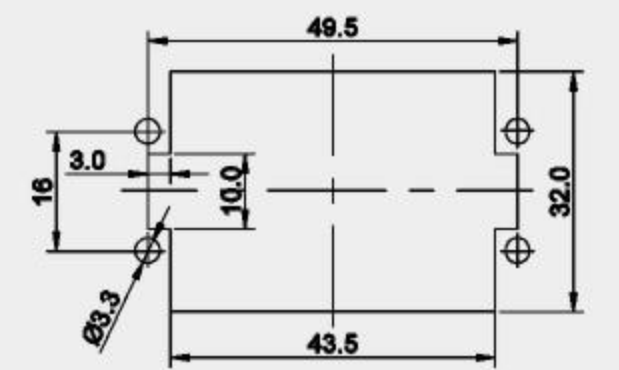
SA-003/004 小型插芯 The Slim Inserts 230V/400V 10A 3/4+ ⊕

外壳尺寸/Shell size: 匹配3A外壳, 请参考P42-P43(Match 3A case, refer to P42-P43)

螺丝连接 Screw terminal	插芯 Inserts	型号 Model	订货号 Order No.	图纸 Drawing
	公 Male	SA-003	SA-003-M	尺寸图及孔位图 Dimension and hole site
	母 Female		SA-003-F	
	公 Male	SA-004	SA-004-M	尺寸图及孔位图 Dimension and hole site
	母 Female		SA-004-F	
弹片连接 Cage-clamp	插芯 Inserts	型号 Model	订货号 Order No.	图纸 Drawing
	公 Male	SA-003	SA-003-MS	尺寸图及孔位图 Dimension and hole site
	母 Female		SA-003-FS	
	公 Male	SA-004	SA-004-MS	尺寸图及孔位图 Dimension and hole site
	母 Female		SA-004-FS	

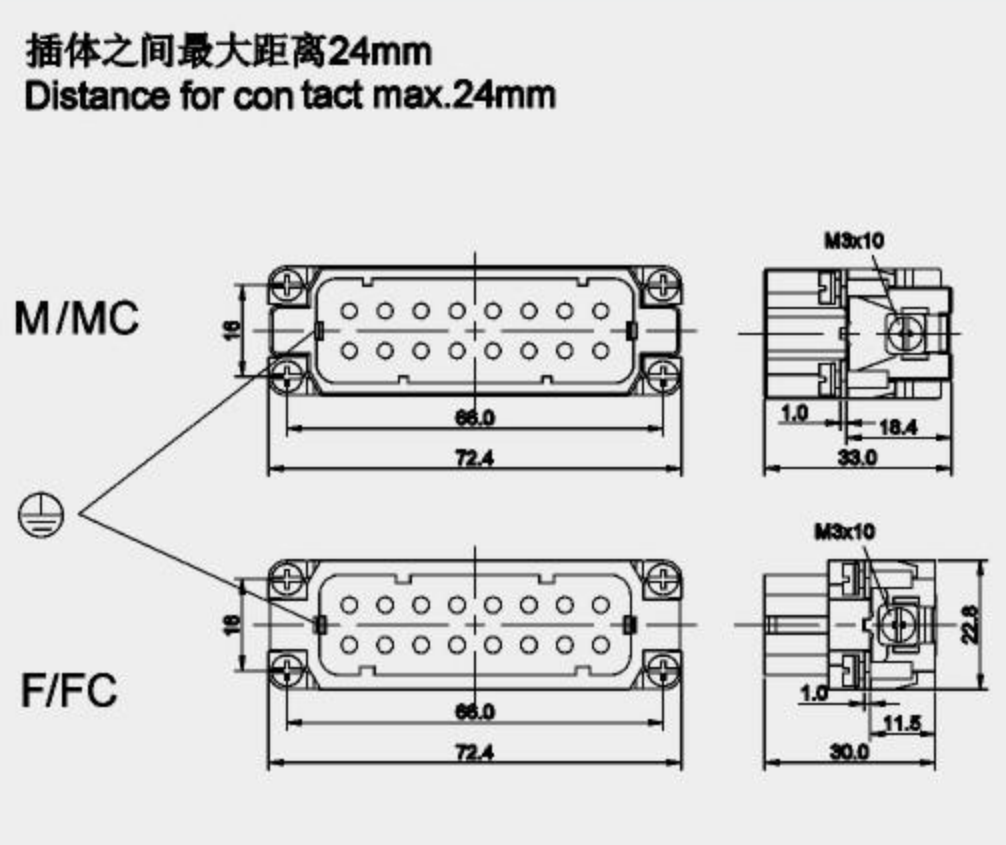
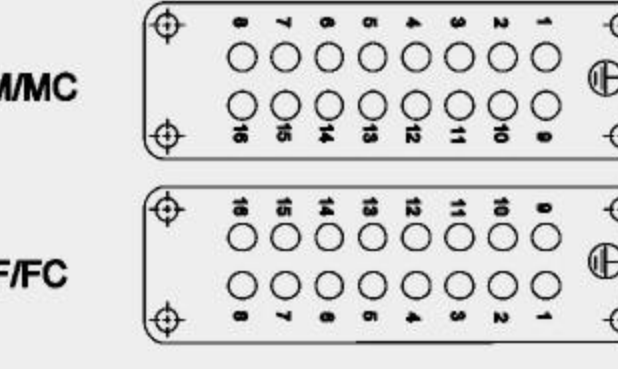
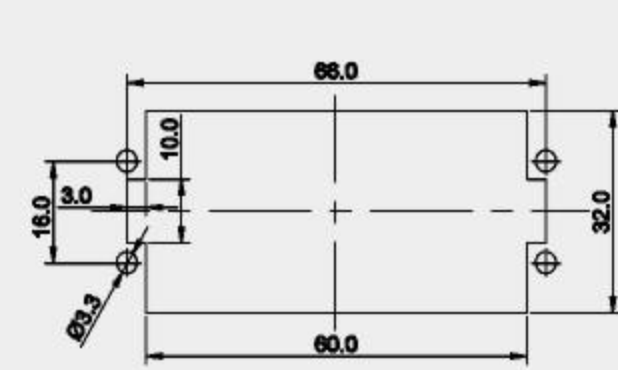
SA-010 小型插芯 The Slim Inserts 250V 16A 10+ 

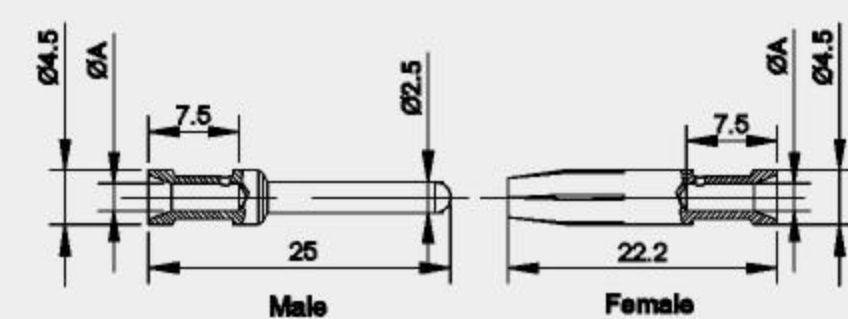



外壳尺寸/Shell size: 匹配10A外壳, 请参考P43(Match 10A case, refer to P43)

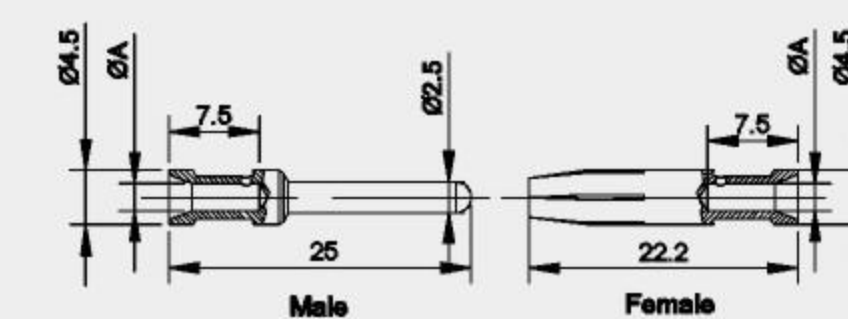



连接方式 Connection mode	插芯 Inserts	型号 Model	订货号 Order No.	图纸 Drawing
螺丝连接 Screw terminal	公 Male	SA-010	SA-010-M	<p>插体之间最大距离24mm Distance for contact max.24mm</p>  <p>接插针排序 Contacts arrangement view for termination side</p> 
	母 Female		SA-010-F	
冷压连接 Crimp terminal	公 Male	SA-010	SA-010-MC	<p>面板安装开孔图 panel cut out for use without Hoods/housings</p> 
	母 Female		SA-010-FC	

SA-016 小型插芯 The Slim Inserts 250V 16A 16+ 

外壳尺寸/Shell size: 匹配16A外壳, 请参考P44(Match 16A case, refer to P44)

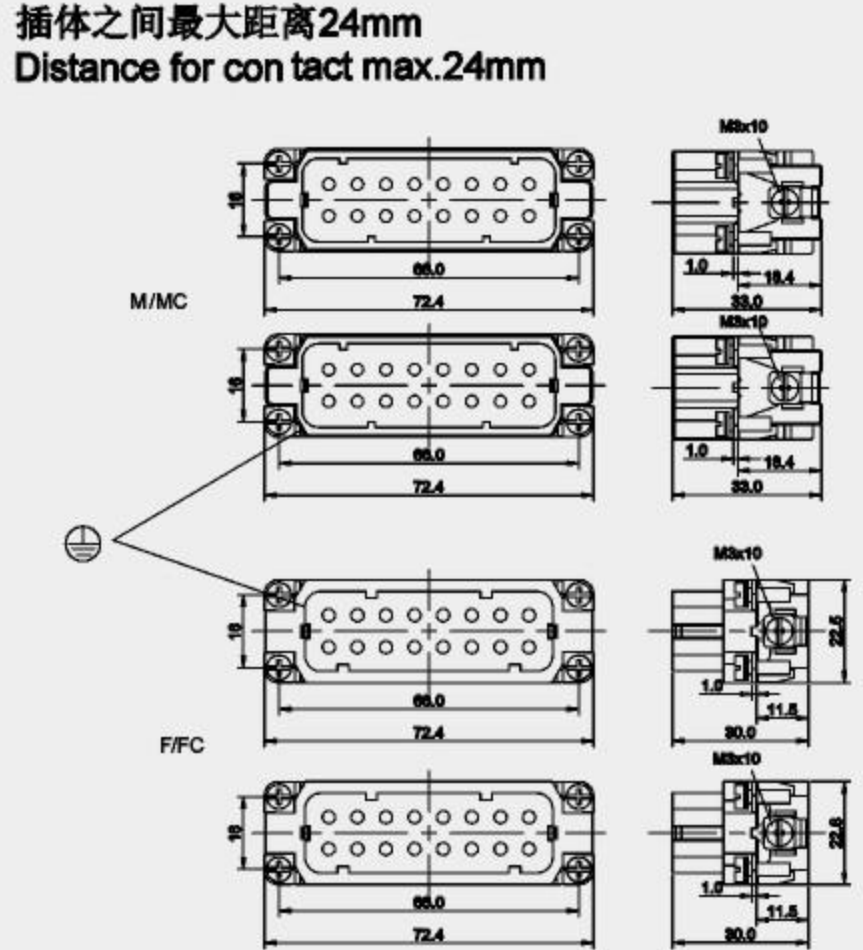
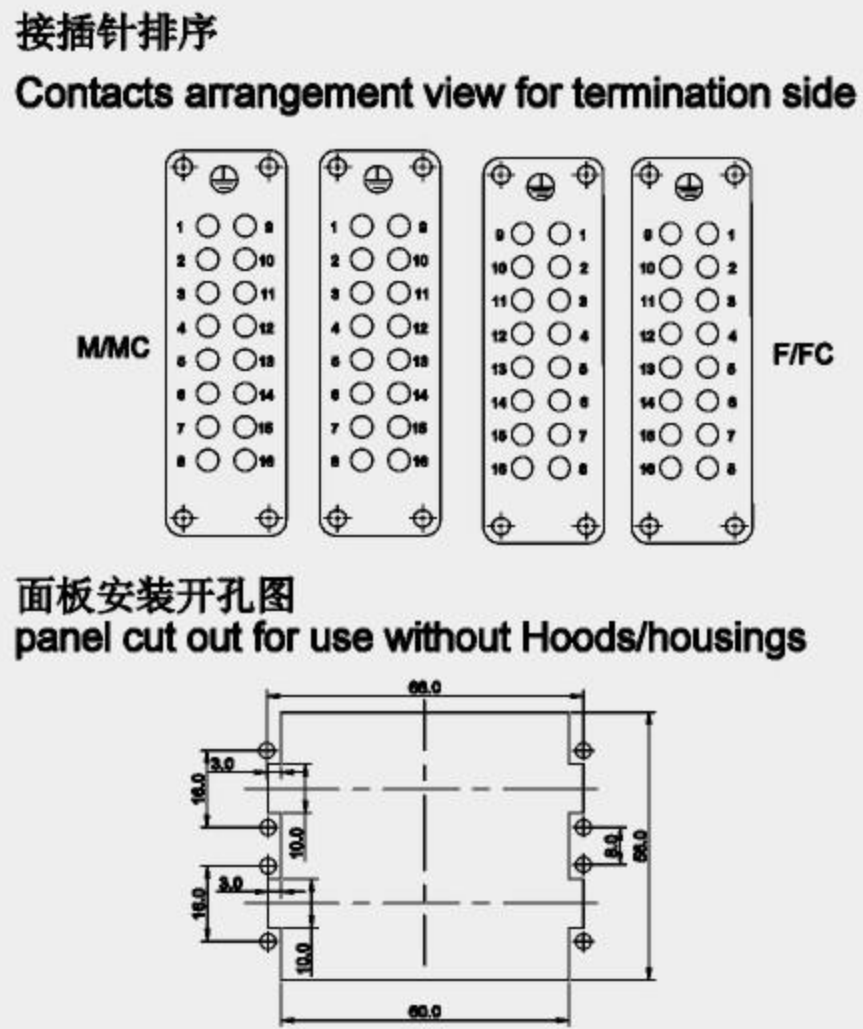
连接方式 Connection mode	插芯 Inserts	型号 Model	订货号 Order No.	图纸 Drawing
螺丝连接 Screw terminal	公 Male	SA-016	SA-016-M	<p>插体之间最大距离24mm Distance for contact max.24mm</p>  <p>接插针排序 Contacts arrangement view for termination side</p> 
	母 Female		SA-016-F	
冷压连接 Crimp terminal	公 Male	SA-016	SA-016-MC	<p>面板安装开孔图 panel cut out for use without Hoods/housings</p> 
	母 Female		SA-016-FC	

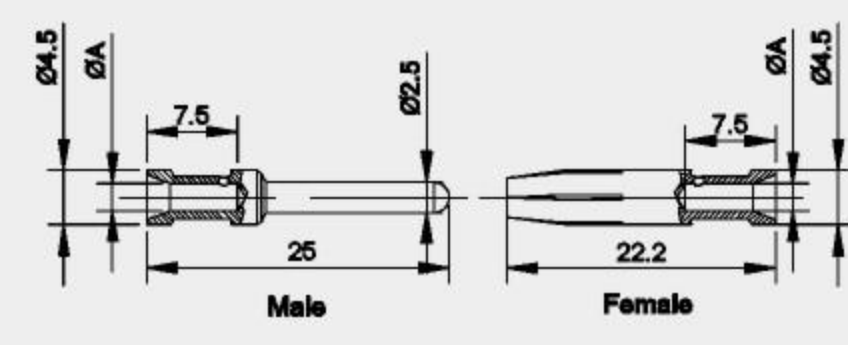



附件 Accessories					插针图纸 Contacts drawing			
16A冷压针(接触电阻≤1mΩ) 16A cold pressing needle (contact resistance ≤ 1mΩ)								
插针 Contacts	镀银 Silver-plated		镀金 Gold-plated		线规 Wire gauge	剥线长度 Strip length	线规 Wire gauge	剥线长度 Strip length
	订货号 (公) (Part Number)	订货号 (母) (Part Number)	订货号 (公) (Part Number)	订货号 (母) (Part Number)				
	SCSM-016-0.37	SCSF-016-0.37	SCGM-016-0.37	SCGF-016-0.37	0.9	0.14-0.37	26-22	7.5mm
	SCSM-016-0.5	SCSF-016-0.5	SCGM-016-0.5	SCGF-016-0.5	1.1	0.5	20	7.5mm
	SCSM-016-0.75	SCSF-016-0.75	SCGM-016-0.75	SCGF-016-0.75	1.3	0.75	18	7.5mm
	SCSM-016-1.0	SCSF-016-1.0	SCGM-016-1.0	SCGF-016-1.0	1.45	1	18	7.5mm
	SCSM-016-1.5	SCSF-016-1.5	SCGM-016-1.5	SCGF-016-1.5	1.75	1.5	16	7.5mm
	SCSM-016-2.5	SCSF-016-2.5	SCGM-016-2.5	SCSF-016-2.5	2.25	2.5	14	7.5mm
	SCSM-016-4.0	SCSF-016-4.0	SCGM-016-4.0	SCGF-016-4.0	2.85	4	12	7.5mm
工具 Tools								
冷压钳 (Crimping tool)				退针器 (Removal tool)				
								
订货号Order No : SL-4.0				订货号Order No : ST-16A				
压接线径The diameter of the crimping wire : 0.5-4.0mm ² (AWG 20-12)				适用于For : 16A冷压针(16A cold pressing needle)				

附件 Accessories					插针图纸 Contacts drawing			
16A冷压针(接触电阻≤1mΩ) 16A cold pressing needle (contact resistance ≤ 1mΩ)								
插针 Contacts	镀银 Silver-plated		镀金 Gold-plated		线规 Wire gauge	剥线长度 Strip length	线规 Wire gauge	剥线长度 Strip length
	订货号 (公) (Part Number)	订货号 (母) (Part Number)	订货号 (公) (Part Number)	订货号 (母) (Part Number)				
	SCSM-016-0.37	SCSF-016-0.37	SCGM-016-0.37	SCGF-016-0.37	0.9	0.14-0.37	26-22	7.5mm
	SCSM-016-0.5	SCSF-016-0.5	SCGM-016-0.5	SCGF-016-0.5	1.1	0.5	20	7.5mm
	SCSM-016-0.75	SCSF-016-0.75	SCGM-016-0.75	SCGF-016-0.75	1.3	0.75	18	7.5mm
	SCSM-016-1.0	SCSF-016-1.0	SCGM-016-1.0	SCGF-016-1.0	1.45	1	18	7.5mm
	SCSM-016-1.5	SCSF-016-1.5	SCGM-016-1.5	SCGF-016-1.5	1.75	1.5	16	7.5mm
	SCSM-016-2.5	SCSF-016-2.5	SCGM-016-2.5	SCSF-016-2.5	2.25	2.5	14	7.5mm
	SCSM-016-4.0	SCSF-016-4.0	SCGM-016-4.0	SCGF-016-4.0	2.85	4	12	7.5mm
工具 Tools								
冷压钳 (Crimping tool)				退针器 (Removal tool)				
								
订货号Order No : SL-4.0				订货号Order No : ST-16A				
压接线径The diameter of the crimping wire : 0.5-4.0mm ² (AWG 20-12)				适用于For : 16A冷压针(16A cold pressing needle)				

SA-032 小型插芯 The Slim Inserts 250V 16A 32+

外壳尺寸/Shell size: 匹配32A外壳, 请参考P45-P46(Match 32A case, refer to P45-P46)

连接方式 Connection mode	插芯 Inserts	型号 Model	订货号 Order No.	图纸 Drawing
螺丝连接 Screw terminal	公 Male	SA-032	SA-032-M	<p>插体之间最大距离24mm Distance for contact max.24mm</p> 
	母 Female	SA-032	SA-032-F	
冷压连接 Crimp terminal	公 Male	SA-032	SA-032-MC	<p>接插针排序 Contacts arrangement view for termination side</p> 
	母 Female	SA-032	SA-032-FC	

附件 Accessories					插针图纸 Contacts drawing			
16A冷压针(接触电阻≤1mΩ) 16A cold pressing needle (contact resistance ≤ 1mΩ)								
插针 Contacts	镀银 Silver-plated		镀金 Gold-plated		线规 Wire gauge	剥线长度 Strip length	剥线长度 Strip length	剥线长度 Strip length
	订货号 (公) (Part Number)	订货号 (母) (Part Number)	订货号 (公) (Part Number)	订货号 (母) (Part Number)				
	SCSM-016-0.37	SCSF-016-0.37	SCGM-016-0.37	SCGF-016-0.37	0.9	0.14-0.37	26-22	7.5mm
	SCSM-016-0.5	SCSF-016-0.5	SCGM-016-0.5	SCGF-016-0.5	1.1	0.5	20	7.5mm
	SCSM-016-0.75	SCSF-016-0.75	SCGM-016-0.75	SCGF-016-0.75	1.3	0.75	18	7.5mm
	SCSM-016-1.0	SCSF-016-1.0	SCGM-016-1.0	SCGF-016-1.0	1.45	1	18	7.5mm
	SCSM-016-1.5	SCSF-016-1.5	SCGM-016-1.5	SCGF-016-1.5	1.75	1.5	16	7.5mm
	SCSM-016-2.5	SCSF-016-2.5	SCGM-016-2.5	SCSF-016-2.5	2.25	2.5	14	7.5mm
	SCSM-016-4.0	SCSF-016-4.0	SCGM-016-4.0	SCGF-016-4.0	2.85	4	12	7.5mm
工具 Tools								
冷压钳 (Crimping tool)				退针器 (Removal tool)				
								
订货号 Order No : SL-4.0				订货号 Order No : ST-16A				
压接导线径 The diameter of the crimping wire : 0.5-4.0mm ² (AWG 20-12)				适用于 For : 16A冷压针(16A cold pressing needle)				

SE 系列/SE SERIES

技术参数 Technical characteristics	
规范/Specifications	DIN EN60664 DIN EN61984
插芯 Inserts	
接插件针数/Number of Contacts	6,10,16,24,32(2x16),48(2x24)+PE
依照DEN EN 61984的额定电压/Rated voltage according to den DEN EN 61984	
额定电流/Rated Current	16A
额定电压/Rated Voltage	500V
额定脉冲电压/Rated Impulse Voltage	6KV
污染程度/Pollution Degree	3
污染等级2时的参数/Pollution Degree 2 Also	16A 400V/690V 6KV 2
依据UL/CSA额定电压/Rated Voltage Acc.to UL/CSA	600V
绝缘电阻/Insulation Resistance	≥ 10 ¹⁰ Ω
材料/Material	聚碳酸酯/Polycarbonate
工作温度范围/Limiting Temperatures	-40°C ~ +125°C
阻燃等级/Flammability Acc.to UL94	V0
可拔插次数/Mechanical Working Life-mating Cycles	≥ 500
插针 Contacts	
材料/Material	铜合金/Copper Alloy
表面处理/Surface	镀金/Hard-gold Plated 镀银/Hard-silver Plated
接触电阻/Contact resistance	≤ 1mΩ
接线方式 Connection type	
螺钉连接 / Screw terminal	
导线规格/Wire Gauge	0.14-2.5mm ²
AWG	26-14
拧紧力矩/Tightening Torque	0.5Nm
剥线长度/Strip length	7.0mm
冷压连接 / Crimp terminal	
导线规格/Wire Gauge	0.14-2.5mm ²
AWG	26-12
剥线长度/Strip length	7.5mm
弹片连接 / Cage-clamp	
导线规格/Wire Gauge	0.14-2.5mm ²
AWG	26-14
剥线长度/Strip length	7-9mm

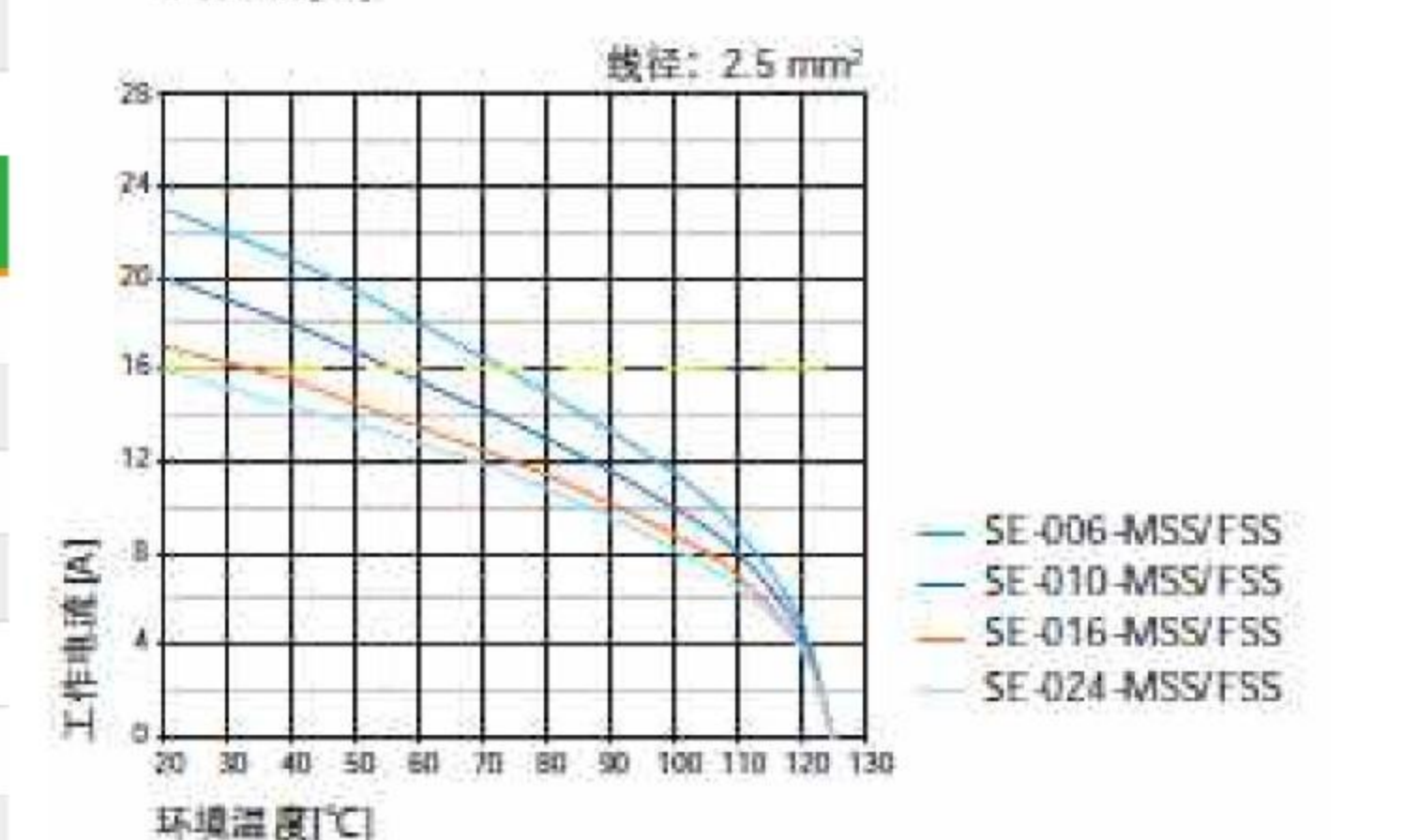
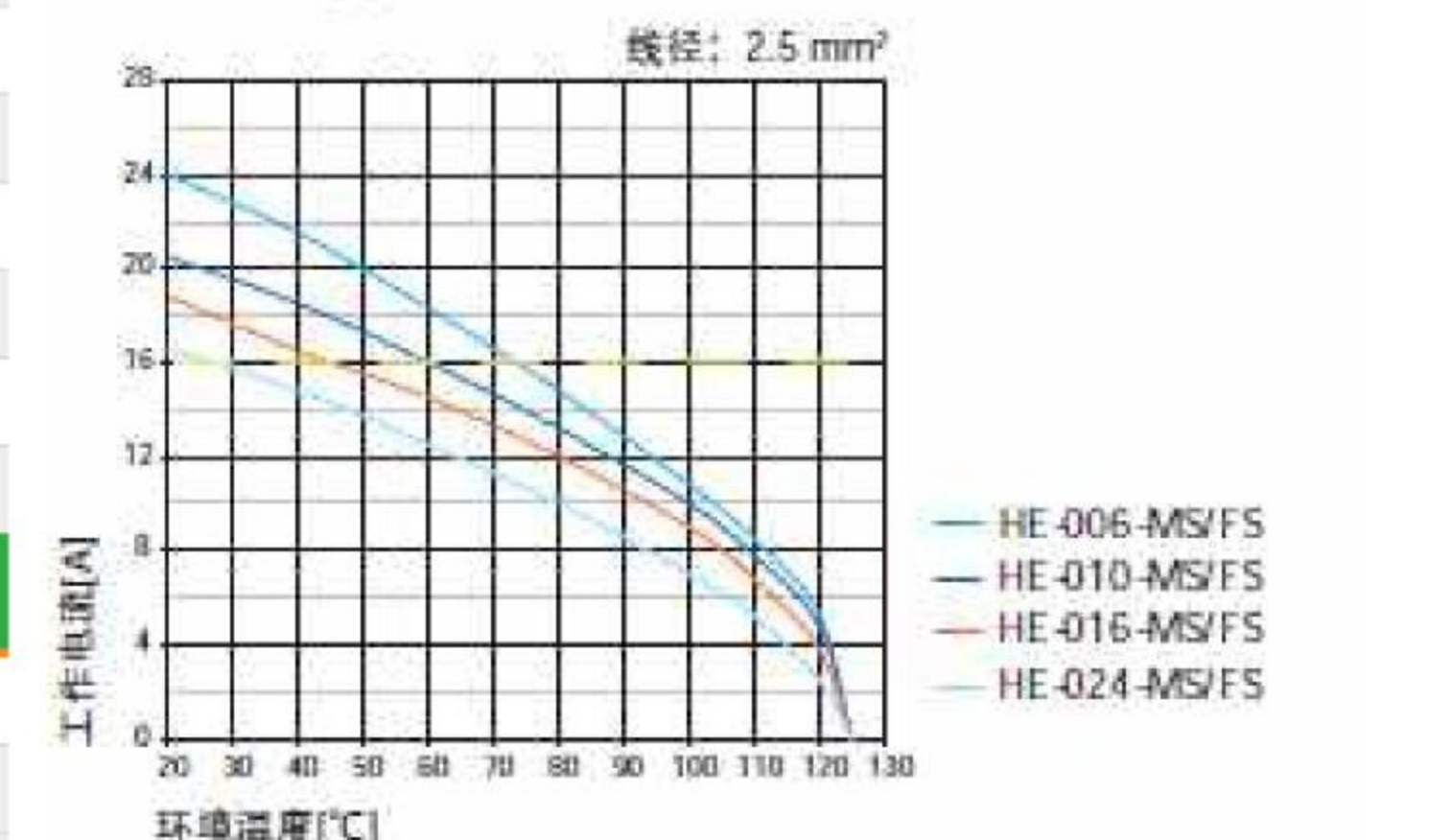
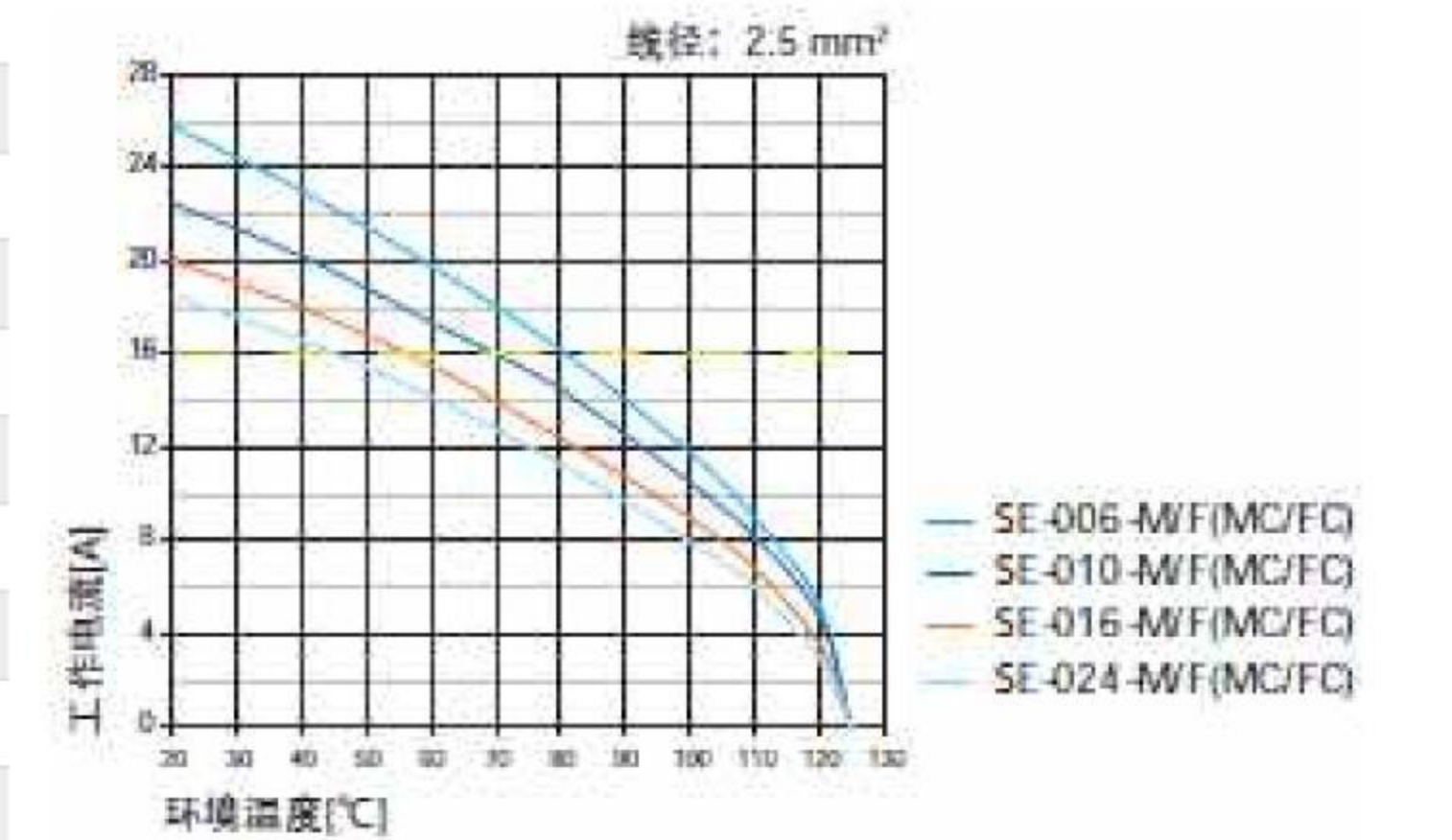
电流负载能力/Current load capacity

电流负载能力所受的限制主要来自包含接插针的接插体可承受的最大温度。

The limitation of current load capacity mainly comes from the plug-in body with pin Maximum temperature.


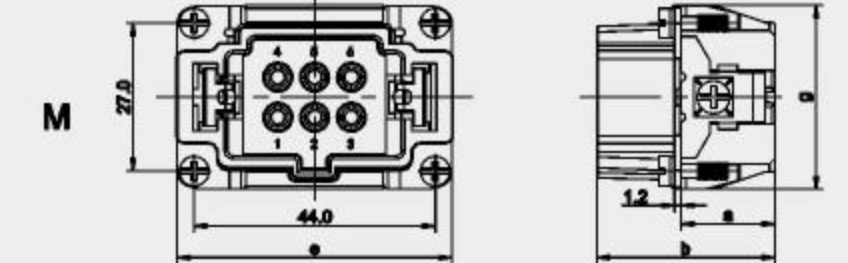




测试和控制过程依据DIN EN 60512-5

Test and control process according to DIN EN 60512-5

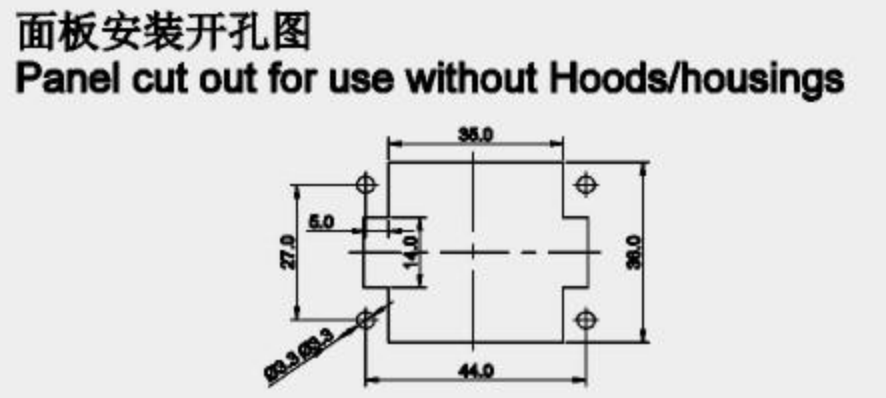
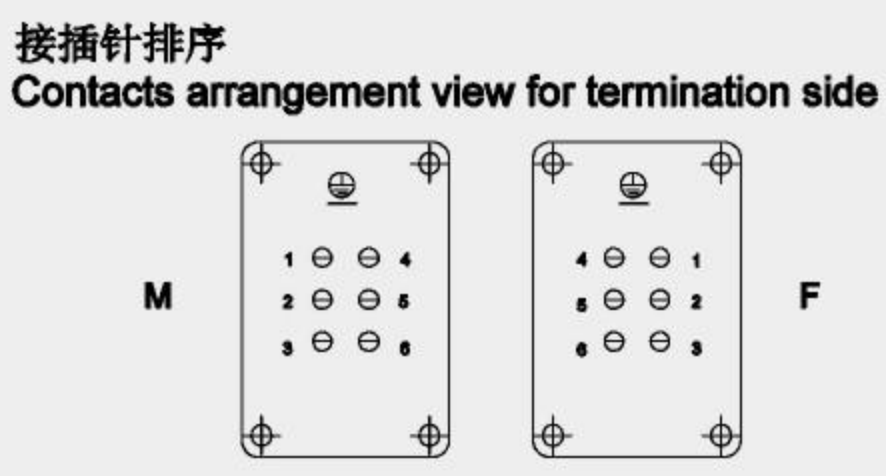


SE-006 常规型插芯 Standard Inserts 500V 16A 6+

外壳尺寸/Shell size: 匹配6B外壳, 请参考P47-P48(Match 6B case, refer to P47-P48)


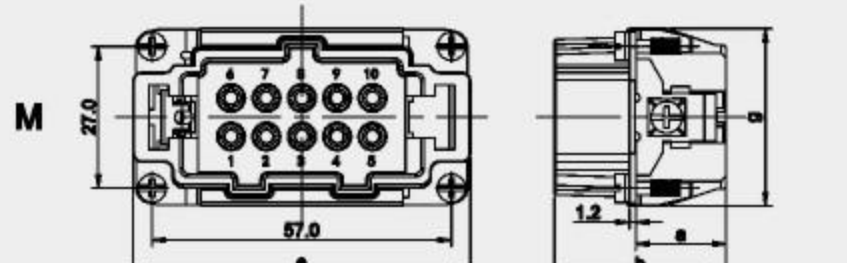




连接方式 Connection mode	插芯 Inserts	型号 Model	订货号 Order No.	图纸 Drawing
螺丝连接 Screw terminal 	公 Male	SE-006	SE-006-M	接插体之间的最大距离21mm Distance for contact max.21mm 
	母 Female		SE-006-F	
冷压连接 Crimp terminal 	公 Male		SE-006-MC	
	母 Female		SE-006-FC	
弹片连接 Cage-clamp 	公 Male		SE-006-MS	
	母 Female		SE-006-FS	
双弹片连接 (一针双接线) Double cage-clamp (one pin double wiring) 	公 Male		SE-006-MSS	
	母 Female		SE-006-FSS	
直插式弹片连接 Plug in cage-clamp 	公 Male		SE-006-MZ	
	母 Female		SE-006-FZ	

	a	b	e	g	c	d	f	m
M/F	16	32.4	51	34	16.8	34.5	50.5	34
MC/FC	18	33	51	34	18	35	50.5	34
MS/FS	18	33.3	51	34	18.2	35.4	50.5	34
MZ/FZ	17.4	32.5	51	33.8	17.2	34.5	51	33.8

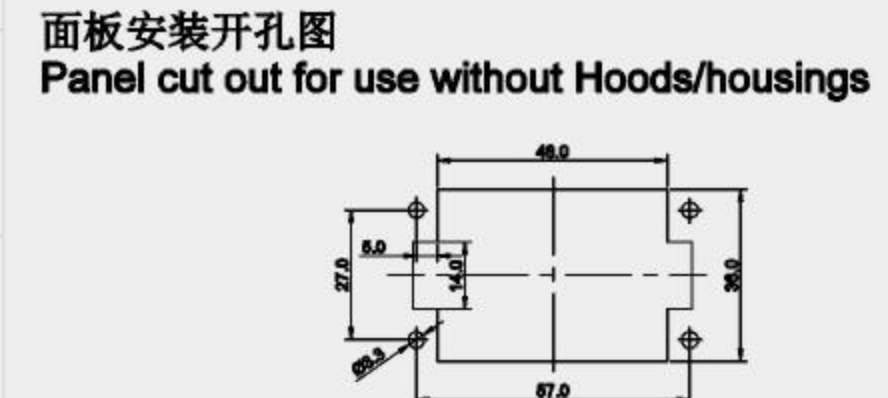
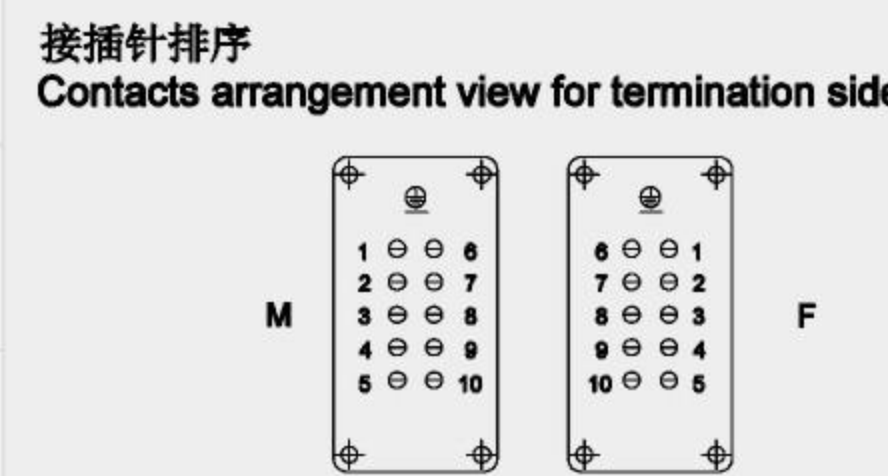


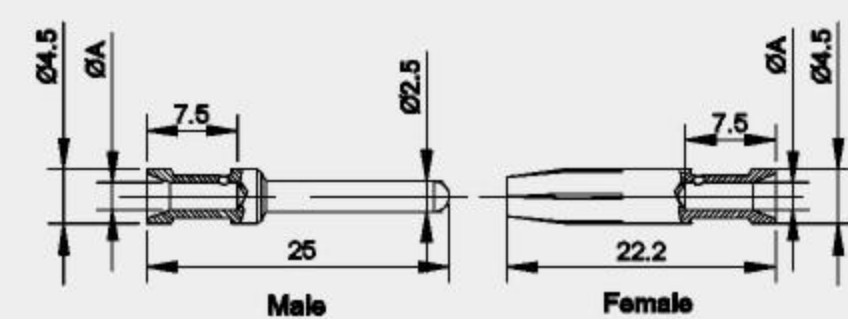


SE-010 常规型插芯 Standard Inserts 500V 16A 10+

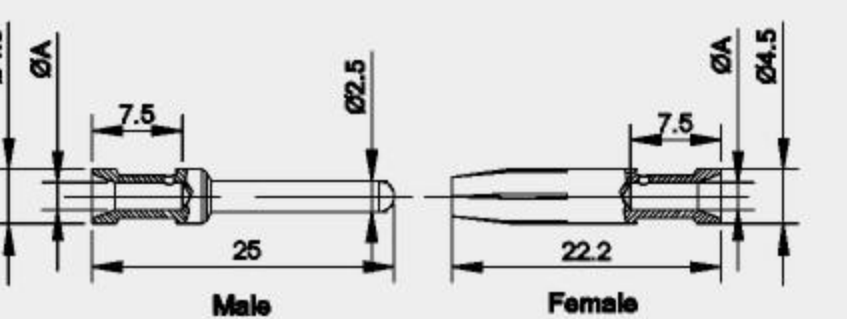


外壳尺寸/Shell size: 匹配10B外壳, 请参考P49-P54(Match 10B case, refer to P49-P54)

连接方式 Connection mode	插芯 Inserts	型号 Model	订货号 Order No.	图纸 Drawing
螺丝连接 Screw terminal 	公 Male	SE-010	SE-010-M	接插体之间的最大距离21mm Distance for contact max.21mm 
	母 Female		SE-010-F	
冷压连接 Crimp terminal 	公 Male		SE-010-MC	
	母 Female		SE-010-FC	
弹片连接 Cage-clamp 	公 Male		SE-010-MS	
	母 Female		SE-010-FS	
双弹片连接 (一针双接线) Double cage-clamp (one pin double wiring) 	公 Male		SE-010-MSS	
	母 Female		SE-010-FSS	
直插式弹片连接 Plug in cage-clamp 	公 Male		SE-010-MZ	
	母 Female		SE-010-FZ	

	a	b	e	g	c	d	f	m
M/F	16.5	32	64.5	34	16.8	34.2	64	34
MC/FC	18	33	64	34	17.5	35.2	64	34
MS/FS	18.5	33.5	64	34	18.5	35.8	64	34
MZ/FZ	17.4	32.5	64	33.8	17.2	34.5	64	33.8



附件 Accessories					插针图纸 Contacts drawing						
16A冷压针(接触电阻≤1mΩ) 16A cold pressing needle (contact resistance ≤ 1m Ω)											
插针 Contacts	镀银 Silver-plated		镀金 Gold-plated		线规 Wire gauge (mm ²) (AWG)	剥线长度 Strip length (mm)	∅A				
	订货号 (公) (Part Number)	订货号 (母) (Part Number)	订货号 (公) (Part Number)	订货号 (母) (Part Number)							
	SCSM-016-0.37	SCSF-016-0.37	SCGM-016-0.37	SCGF-016-0.37				0.9	0.14-0.37	26-22	7.5mm
	SCSM-016-0.5	SCSF-016-0.5	SCGM-016-0.5	SCGF-016-0.5				1.1	0.5	20	7.5mm
	SCSM-016-0.75	SCSF-016-0.75	SCGM-016-0.75	SCGF-016-0.75				1.3	0.75	18	7.5mm
	SCSM-016-1.0	SCSF-016-1.0	SCGM-016-1.0	SCGF-016-1.0				1.45	1	18	7.5mm
	SCSM-016-1.5	SCSF-016-1.5	SCGM-016-1.5	SCGF-016-1.5				1.75	1.5	16	7.5mm
	SCSM-016-2.5	SCSF-016-2.5	SCGM-016-2.5	SCGF-016-2.5				2.25	2.5	14	7.5mm
SCSM-016-4.0	SCSF-016-4.0	SCGM-016-4.0	SCGF-016-4.0	2.85	4	12	7.5mm				
工具 Tools											
冷压钳 (Crimping tool) 				退针器 (Removal tool) 							
订货号Order No : SL-4.0 压接导线径The diameter of the crimping wire : 0.5-4.0mm ² (AWG 20-12)				订货号Order No : ST-16A 适用于For : 16A冷压针(16A cold pressing needle)							

附件 Accessories					插针图纸 Contacts drawing						
16A冷压针(接触电阻≤1mΩ) 16A cold pressing needle (contact resistance ≤ 1m Ω)											
插针 Contacts	镀银 Silver-plated		镀金 Gold-plated		线规 Wire gauge (mm ²) (AWG)	剥线长度 Strip length (mm)	∅A				
	订货号 (公) (Part Number)	订货号 (母) (Part Number)	订货号 (公) (Part Number)	订货号 (母) (Part Number)							
	SCSM-016-0.37	SCSF-016-0.37	SCGM-016-0.37	SCGF-016-0.37				0.9	0.14-0.37	26-22	7.5mm
	SCSM-016-0.5	SCSF-016-0.5	SCGM-016-0.5	SCGF-016-0.5				1.1	0.5	20	7.5mm
	SCSM-016-0.75	SCSF-016-0.75	SCGM-016-0.75	SCGF-016-0.75				1.3	0.75	18	7.5mm
	SCSM-016-1.0	SCSF-016-1.0	SCGM-016-1.0	SCGF-016-1.0				1.45	1	18	7.5mm
	SCSM-016-1.5	SCSF-016-1.5	SCGM-016-1.5	SCGF-016-1.5				1.75	1.5	16	7.5mm
	SCSM-016-2.5	SCSF-016-2.5	SCGM-016-2.5	SCGF-016-2.5				2.25	2.5	14	7.5mm
SCSM-016-4.0	SCSF-016-4.0	SCGM-016-4.0	SCGF-016-4.0	2.85	4	12	7.5mm				
工具 Tools											
冷压钳 (Crimping tool) 				退针器 (Removal tool) 							
订货号Order No : SL-4.0 压接导线径The diameter of the crimping wire : 0.5-4.0mm ² (AWG 20-12)				订货号Order No : ST-16A 适用于For : 16A冷压针(16A cold pressing needle)							

SE-016 常规型插芯 Standard Inserts 500V 16A 16+

外壳尺寸/Shell size: 匹配16B外壳, 请参考P55-P60(Match 16B case, refer to P55-P60)

连接方式 Connection mode	插芯 Inserts	型号 Model	订货号 Order No.	图纸 Drawing																																													
螺丝连接 Screw terminal 	公 Male	SE-016	SE-016-M	接插体之间的最大距离21mm Distance for contact max.21mm <table border="1"> <tr> <td></td> <td>a</td> <td>b</td> <td>e</td> <td>g</td> <td>c</td> <td>d</td> <td>f</td> <td>m</td> </tr> <tr> <td>M/F</td> <td>17</td> <td>32.5</td> <td>84.2</td> <td>34</td> <td>17</td> <td>34.5</td> <td>84.2</td> <td>33.5</td> </tr> <tr> <td>MC/FC</td> <td>18</td> <td>33.5</td> <td>84.5</td> <td>34</td> <td>18</td> <td>35</td> <td>84.5</td> <td>34</td> </tr> <tr> <td>MS/FS</td> <td>18</td> <td>33.7</td> <td>84.5</td> <td>34</td> <td>18.2</td> <td>35.5</td> <td>84.5</td> <td>34</td> </tr> <tr> <td>MZ/FZ</td> <td>17.4</td> <td>32.5</td> <td>84.5</td> <td>33.8</td> <td>17.2</td> <td>34.5</td> <td>84.5</td> <td>33.8</td> </tr> </table>		a	b	e	g	c	d	f	m	M/F	17	32.5	84.2	34	17	34.5	84.2	33.5	MC/FC	18	33.5	84.5	34	18	35	84.5	34	MS/FS	18	33.7	84.5	34	18.2	35.5	84.5	34	MZ/FZ	17.4	32.5	84.5	33.8	17.2	34.5	84.5	33.8
			a		b	e	g	c	d	f	m																																						
M/F	17		32.5		84.2	34	17	34.5	84.2	33.5																																							
MC/FC	18		33.5		84.5	34	18	35	84.5	34																																							
MS/FS	18		33.7		84.5	34	18.2	35.5	84.5	34																																							
MZ/FZ	17.4		32.5		84.5	33.8	17.2	34.5	84.5	33.8																																							
母 Female	SE-016-F																																																
冷压连接 Crimp terminal 	公 Male		SE-016-MC																																														
	母 Female		SE-016-FC																																														
弹片连接 Cage-clamp 	公 Male		SE-016-MS																																														
	母 Female		SE-016-FS																																														
双弹片连接 (一针双接线) Double cage-clamp (one pin double wiring) 	公 Male		SE-016-MSS																																														
	母 Female	SE-016-FSS																																															
直插式弹片连接 Plug in cage-clamp 	公 Male	SE-016-MZ																																															
	母 Female	SE-016-FZ																																															

附件 Accessories					插针图纸 Contacts drawing			
16A冷压针(接触电阻≤1mΩ) 16A cold pressing needle (contact resistance ≤ 1mΩ)								
插针 Contacts	镀银 Silver-plated		镀金 Gold-plated		线规 Wire gauge (mm ²) (AWG)	剥线长度 Strip length (mm)	线规 Wire gauge (mm ²) (AWG)	剥线长度 Strip length (mm)
	订货号 (公) (Part Number)	订货号 (母) (Part Number)	订货号 (公) (Part Number)	订货号 (母) (Part Number)				
	SCSM-016-0.37	SCSF-016-0.37	SCGM-016-0.37	SCGF-016-0.37	0.9	0.14-0.37	26-22	7.5mm
	SCSM-016-0.5	SCSF-016-0.5	SCGM-016-0.5	SCGF-016-0.5	1.1	0.5	20	7.5mm
	SCSM-016-0.75	SCSF-016-0.75	SCGM-016-0.75	SCGF-016-0.75	1.3	0.75	18	7.5mm
	SCSM-016-1.0	SCSF-016-1.0	SCGM-016-1.0	SCGF-016-1.0	1.45	1	18	7.5mm
	SCSM-016-1.5	SCSF-016-1.5	SCGM-016-1.5	SCGF-016-1.5	1.75	1.5	16	7.5mm
	SCSM-016-2.5	SCSF-016-2.5	SCGM-016-2.5	SCSF-016-2.5	2.25	2.5	14	7.5mm
	SCSM-016-4.0	SCSF-016-4.0	SCGM-016-4.0	SCGF-016-4.0	2.85	4	12	7.5mm
工具 Tools								
冷压钳 (Crimping tool) 				退针器 (Removal tool) 				
订货号 Order No : SL-4.0 压接导线 The diameter of the crimping wire : 0.5-4.0mm ² (AWG 20-12)				订货号 Order No : ST-16A 适用于 For : 16A冷压针(16A cold pressing needle)				

SE-24 常规型插芯 Standard Inserts 500V 16A 24+


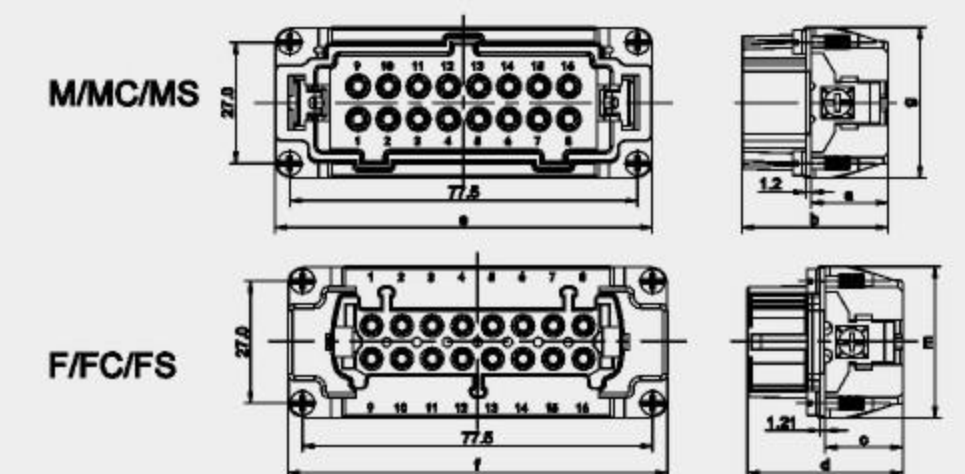
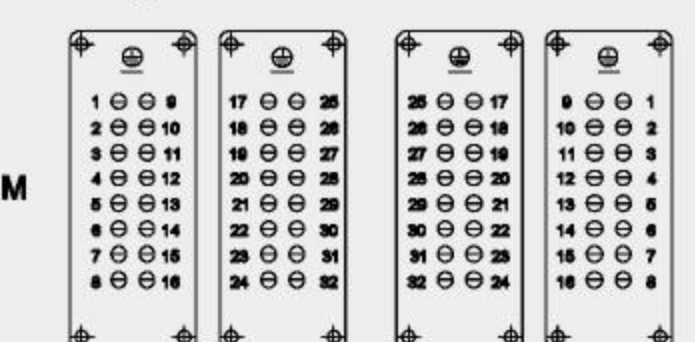
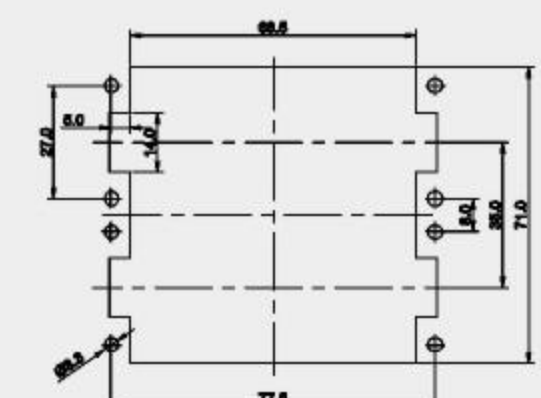




外壳尺寸/Shell size: 匹配24B外壳, 请参考P61-P66(Match 24B case, refer to P61-P66)

连接方式 Connection mode	插芯 Inserts	型号 Model	订货号 Order No.	图纸 Drawing																																													
螺丝连接 Screw terminal 	公 Male	SE-024	SE-024-M	接插体之间的最大距离21mm Distance for contact max.21mm <table border="1"> <tr> <td></td> <td>a</td> <td>b</td> <td>e</td> <td>g</td> <td>c</td> <td>d</td> <td>f</td> <td>m</td> </tr> <tr> <td>M/F</td> <td>17</td> <td>32.5</td> <td>111</td> <td>33.5</td> <td>17</td> <td>34.5</td> <td>111</td> <td>33.5</td> </tr> <tr> <td>MC/FC</td> <td>18.3</td> <td>33.5</td> <td>111</td> <td>34</td> <td>18.3</td> <td>35.5</td> <td>111</td> <td>34</td> </tr> <tr> <td>MS/FS</td> <td>18.5</td> <td>33.6</td> <td>111</td> <td>34</td> <td>18.5</td> <td>35.6</td> <td>111</td> <td>34</td> </tr> <tr> <td>MZ/FZ</td> <td>17.4</td> <td>32.5</td> <td>111</td> <td>33.8</td> <td>17.2</td> <td>34.5</td> <td>111</td> <td>33.8</td> </tr> </table>		a	b	e	g	c	d	f	m	M/F	17	32.5	111	33.5	17	34.5	111	33.5	MC/FC	18.3	33.5	111	34	18.3	35.5	111	34	MS/FS	18.5	33.6	111	34	18.5	35.6	111	34	MZ/FZ	17.4	32.5	111	33.8	17.2	34.5	111	33.8
			a		b	e	g	c	d	f	m																																						
M/F	17		32.5		111	33.5	17	34.5	111	33.5																																							
MC/FC	18.3		33.5		111	34	18.3	35.5	111	34																																							
MS/FS	18.5		33.6		111	34	18.5	35.6	111	34																																							
MZ/FZ	17.4		32.5		111	33.8	17.2	34.5	111	33.8																																							
母 Female	SE-024-F																																																
冷压连接 Crimp terminal 	公 Male		SE-024-MC																																														
	母 Female		SE-024-FC																																														
弹片连接 Cage-clamp 	公 Male		SE-024-MS																																														
	母 Female		SE-024-FS																																														
双弹片连接 (一针双接线) Double cage-clamp (one pin double wiring) 	公 Male		SE-024-MSS																																														
	母 Female	SE-024-FSS																																															
直插式弹片连接 Plug in cage-clamp 	公 Male	SE-024-MZ																																															
	母 Female	SE-024-FZ																																															

附件 Accessories					插针图纸 Contacts drawing			
16A冷压针(接触电阻≤1mΩ) 16A cold pressing needle (contact resistance ≤ 1mΩ)								
插针 Contacts	镀银 Silver-plated		镀金 Gold-plated		线规 Wire gauge (mm ²) (AWG)	剥线长度 Strip length (mm)	线规 Wire gauge (mm ²) (AWG)	剥线长度 Strip length (mm)
	订货号 (公) (Part Number)	订货号 (母) (Part Number)	订货号 (公) (Part Number)	订货号 (母) (Part Number)				
	SCSM-016-0.37	SCSF-016-0.37	SCGM-016-0.37	SCGF-016-0.37	0.9	0.14-0.37	26-22	7.5mm
	SCSM-016-0.5	SCSF-016-0.5	SCGM-016-0.5	SCGF-016-0.5	1.1	0.5	20	7.5mm
	SCSM-016-0.75	SCSF-016-0.75	SCGM-016-0.75	SCGF-016-0.75	1.3	0.75	18	7.5mm
	SCSM-016-1.0	SCSF-016-1.0	SCGM-016-1.0	SCGF-016-1.0	1.45	1	18	7.5mm
	SCSM-016-1.5	SCSF-016-1.5	SCGM-016-1.5	SCGF-016-1.5	1.75	1.5	16	7.5mm
	SCSM-016-2.5	SCSF-016-2.5	SCGM-016-2.5	SCSF-016-2.5	2.25	2.5	14	7.5mm
	SCSM-016-4.0	SCSF-016-4.0	SCGM-016-4.0	SCGF-016-4.0	2.85	4	12	7.5mm
工具 Tools								
冷压钳 (Crimping tool) 				退针器 (Removal tool) 				
订货号 Order No : SL-4.0 压接导线 The diameter of the crimping wire : 0.5-4.0mm ² (AWG 20-12)				订货号 Order No : ST-16A 适用于 For : 16A冷压针(16A cold pressing needle)				


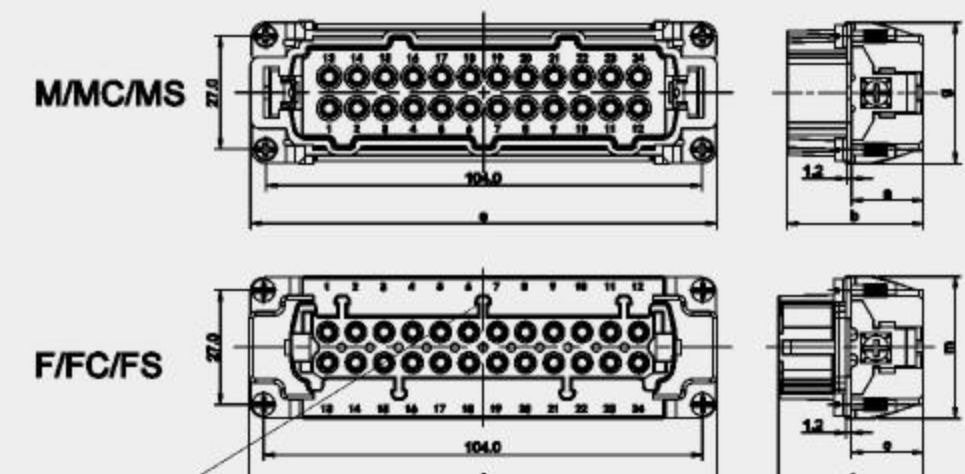
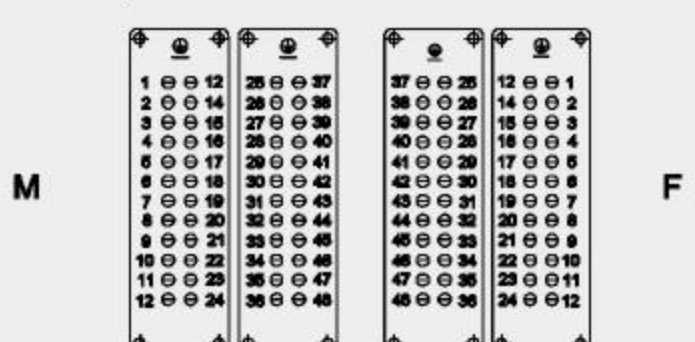
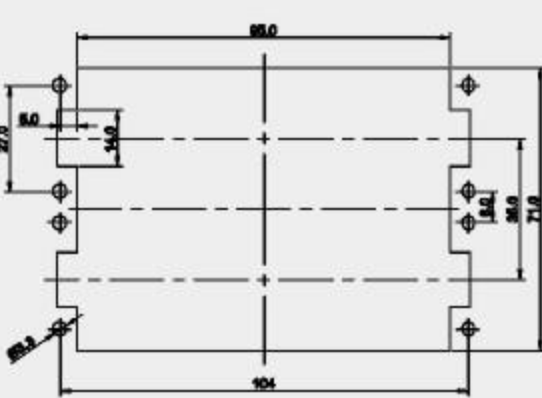


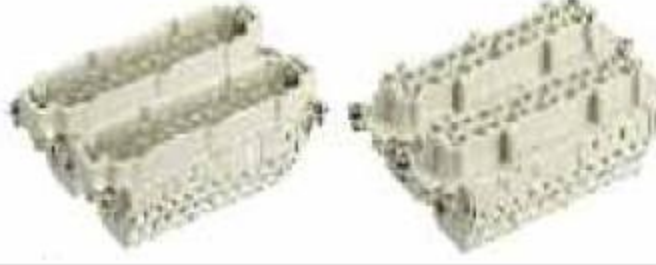
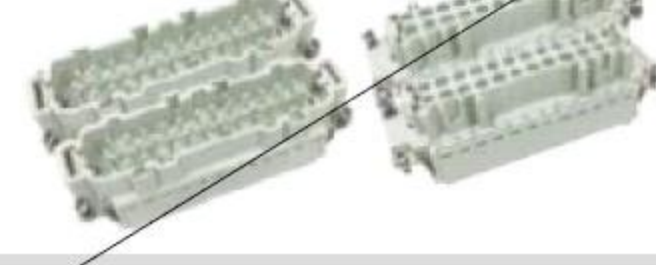
SE-032 常规型插芯 Standard Inserts 500V 16A 32+ ⊕

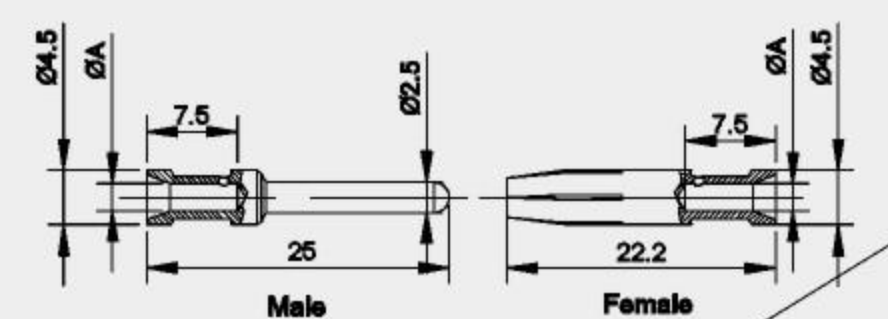


外壳尺寸/Shell size: 匹配32B外壳, 请参考P67-P68(Match 32B case, refer to P67-P68)

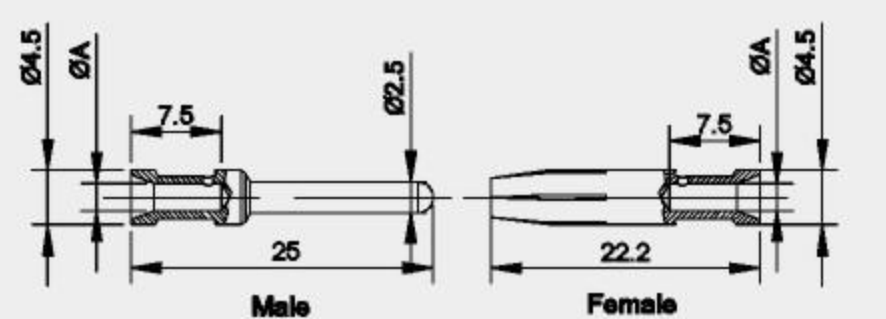


连接方式 Connection mode	插芯 Inserts	型号 Model	订货号 Order No.	图纸 Drawing																																													
螺丝连接 Screw terminal 	公 Male	SE-032	SE-032-M	接插体之间的最大距离21mm Distance for contact max.21mm  M/MC/MS F/FC/FCS <table border="1"> <tr><td></td><td>a</td><td>b</td><td>e</td><td>g</td><td>c</td><td>d</td><td>f</td><td>m</td></tr> <tr><td>M/F</td><td>17</td><td>32.5</td><td>84.2</td><td>34</td><td>17</td><td>34.5</td><td>84.2</td><td>33.5</td></tr> <tr><td>MC/FC</td><td>18</td><td>33.5</td><td>84.5</td><td>34</td><td>18</td><td>35</td><td>84.5</td><td>34</td></tr> <tr><td>MS/FS</td><td>18</td><td>33.7</td><td>84.5</td><td>34</td><td>18.2</td><td>35.5</td><td>84.5</td><td>34</td></tr> <tr><td>MZ/FZ</td><td>17.4</td><td>32.5</td><td>84.5</td><td>33.8</td><td>17.2</td><td>34.5</td><td>84.5</td><td>33.8</td></tr> </table> 接插针排序 Contacts arrangement view for termination side  面板安装开孔图 Panel cut out for use without Hoods/housings 		a	b	e	g	c	d	f	m	M/F	17	32.5	84.2	34	17	34.5	84.2	33.5	MC/FC	18	33.5	84.5	34	18	35	84.5	34	MS/FS	18	33.7	84.5	34	18.2	35.5	84.5	34	MZ/FZ	17.4	32.5	84.5	33.8	17.2	34.5	84.5	33.8
			a		b	e	g	c	d	f	m																																						
M/F	17		32.5		84.2	34	17	34.5	84.2	33.5																																							
MC/FC	18		33.5		84.5	34	18	35	84.5	34																																							
MS/FS	18		33.7		84.5	34	18.2	35.5	84.5	34																																							
MZ/FZ	17.4		32.5		84.5	33.8	17.2	34.5	84.5	33.8																																							
母 Female	SE-032-F																																																
冷压连接 Crimp terminal 	公 Male		SE-032-MC																																														
	母 Female		SE-032-FC																																														
弹片连接 Cage-clamp 	公 Male		SE-032-MS																																														
	母 Female	SE-032-FS																																															
双弹片连接 (一针双接线) Double cage-clamp (one pin double wiring) 	公 Male	SE-032-MSS																																															
	母 Female	SE-032-FSS																																															
直插式弹片连接 Plug in cage-clamp 	公 Male	SE-032-MZ																																															
	母 Female	SE-032-FZ																																															

SE-048 常规型插芯 Standard Inserts 500V 16A 48+ ⊕

外壳尺寸/Shell size: 匹配48B外壳, 请参考P69(Match 48B case, refer to P69)

连接方式 Connection mode	插芯 Inserts	型号 Model	订货号 Order No.	图纸 Drawing																																													
螺丝连接 Screw terminal 	公 Male	SE-048	SE-048-M	接插体之间的最大距离21mm Distance for contact max.21mm  M/MC/MS F/FC/FCS <table border="1"> <tr><td></td><td>a</td><td>b</td><td>e</td><td>g</td><td>c</td><td>d</td><td>f</td><td>m</td></tr> <tr><td>M/F</td><td>17</td><td>32.5</td><td>111</td><td>33.5</td><td>17</td><td>34.5</td><td>111</td><td>33.5</td></tr> <tr><td>MC/FC</td><td>18.3</td><td>33.5</td><td>111</td><td>34</td><td>18.3</td><td>35.5</td><td>111</td><td>34</td></tr> <tr><td>MS/FS</td><td>18.5</td><td>33.6</td><td>111</td><td>34</td><td>18.5</td><td>35.6</td><td>111</td><td>34</td></tr> <tr><td>MZ/FZ</td><td>17.4</td><td>32.5</td><td>111</td><td>33.8</td><td>17.2</td><td>34.5</td><td>111</td><td>33.8</td></tr> </table> 接插针排序 Contacts arrangement view for termination side  面板安装开孔图 Panel cut out for use without Hoods/housings 		a	b	e	g	c	d	f	m	M/F	17	32.5	111	33.5	17	34.5	111	33.5	MC/FC	18.3	33.5	111	34	18.3	35.5	111	34	MS/FS	18.5	33.6	111	34	18.5	35.6	111	34	MZ/FZ	17.4	32.5	111	33.8	17.2	34.5	111	33.8
			a		b	e	g	c	d	f	m																																						
M/F	17		32.5		111	33.5	17	34.5	111	33.5																																							
MC/FC	18.3		33.5		111	34	18.3	35.5	111	34																																							
MS/FS	18.5		33.6		111	34	18.5	35.6	111	34																																							
MZ/FZ	17.4		32.5		111	33.8	17.2	34.5	111	33.8																																							
母 Female	SE-048-F																																																
冷压连接 Crimp terminal 	公 Male		SE-048-MC																																														
	母 Female		SE-048-FC																																														
弹片连接 Cage-clamp 	公 Male		SE-048-MS																																														
	母 Female	SE-048-FS																																															
双弹片连接 (一针双接线) Double cage-clamp (one pin double wiring) 	公 Male	SE-048-MSS																																															
	母 Female	SE-048-FSS																																															
直插式弹片连接 Plug in cage-clamp 	公 Male	SE-048-MZ																																															
	母 Female	SE-048-FZ																																															

附件 Accessories					插针图纸 Contacts drawing							
16A冷压针(接触电阻≤1mΩ) 16A cold pressing needle (contact resistance ≤ 1m Ω)												
插针 Contacts	镀银 Silver-plated		镀金 Gold-plated		线规 Wire gauge (mm ²) (AWG)	剥线长度 Strip length (mm)	∅A					
	订货号 (公) (Part Number)	订货号 (母) (Part Number)	订货号 (公) (Part Number)	订货号 (母) (Part Number)								
	SCSM-016-0.37	SCSF-016-0.37	SCGM-016-0.37	SCGF-016-0.37					0.9	0.14-0.37	26-22	7.5mm
	SCSM-016-0.5	SCSF-016-0.5	SCGM-016-0.5	SCGF-016-0.5					1.1	0.5	20	7.5mm
	SCSM-016-0.75	SCSF-016-0.75	SCGM-016-0.75	SCGF-016-0.75					1.3	0.75	18	7.5mm
	SCSM-016-1.0	SCSF-016-1.0	SCGM-016-1.0	SCGF-016-1.0					1.45	1	18	7.5mm
	SCSM-016-1.5	SCSF-016-1.5	SCGM-016-1.5	SCGF-016-1.5					1.75	1.5	16	7.5mm
	SCSM-016-2.5	SCSF-016-2.5	SCGM-016-2.5	SCSF-016-2.5					2.25	2.5	14	7.5mm
SCSM-016-4.0	SCSF-016-4.0	SCGM-016-4.0	SCGF-016-4.0	2.85	4	12	7.5mm					
工具 Tools												
冷压钳 (Crimping tool) 				退针器 (Removal tool) 								
订货号 Order No : SL-4.0 压接线径 The diameter of the crimping wire : 0.5-4.0mm ² (AWG 20-12)				订货号 Order No : ST-16A 适用于 For : 16A冷压针(16A cold pressing needle)								

附件 Accessories					插针图纸 Contacts drawing							
16A冷压针(接触电阻≤1mΩ) 16A cold pressing needle (contact resistance ≤ 1m Ω)												
插针 Contacts	镀银 Silver-plated		镀金 Gold-plated		线规 Wire gauge (mm ²) (AWG)	剥线长度 Strip length (mm)	∅A					
	订货号 (公) (Part Number)	订货号 (母) (Part Number)	订货号 (公) (Part Number)	订货号 (母) (Part Number)								
	SCSM-016-0.37	SCSF-016-0.37	SCGM-016-0.37	SCGF-016-0.37					0.9	0.14-0.37	26-22	7.5mm
	SCSM-016-0.5	SCSF-016-0.5	SCGM-016-0.5	SCGF-016-0.5					1.1	0.5	20	7.5mm
	SCSM-016-0.75	SCSF-016-0.75	SCGM-016-0.75	SCGF-016-0.75					1.3	0.75	18	7.5mm
	SCSM-016-1.0	SCSF-016-1.0	SCGM-016-1.0	SCGF-016-1.0					1.45	1	18	7.5mm
	SCSM-016-1.5	SCSF-016-1.5	SCGM-016-1.5	SCGF-016-1.5					1.75	1.5	16	7.5mm
	SCSM-016-2.5	SCSF-016-2.5	SCGM-016-2.5	SCSF-016-2.5					2.25	2.5	14	7.5mm
SCSM-016-4.0	SCSF-016-4.0	SCGM-016-4.0	SCGF-016-4.0	2.85	4	12	7.5mm					
工具 Tools												
冷压钳 (Crimping tool) 				退针器 (Removal tool) 								
订货号 Order No : SL-4.0 压接线径 The diameter of the crimping wire : 0.5-4.0mm ² (AWG 20-12)				订货号 Order No : ST-16A 适用于 For : 16A冷压针(16A cold pressing needle)								

SEE 系列/SEE SERIES

技术参数 Technical characteristics

规范/Specifications	DIN EN60664 DIN EN61984
-------------------	----------------------------

插芯 Inserts

接插件针数/Number of Contacts	10,18,32,46,64(2x32),92(2x46)+PE
依照DEN EN 61984的额定电压/Rated voltage according to den DEN EN 61984	
额定电流/Rated Current	16A
额定电压/Rated Voltage	500V
额定脉冲电压/Rated Impulse Voltage	6KV
污染程度/Pollution Degree	3
污染等级2时的参数/Pollution Degree 2 Also	16A 800V 8KV 2
依据UL/CSA额定电压/Rated Voltage Acc.to UL / CSA	600V
绝缘电阻/Insulation Resistance	≥10 ¹⁰ Ω
材料/Material	聚碳酸酯/Polycarbonate
工作温度范围/Limiting Temperatures	-40°C ~ +125°C
阻燃等级/Flammability Acc.to UL94	V0
可拔插次数/Mechanical Working Life-mating Cycles	≥500

插针 Contacts

材料/Material	铜合金/Copper Alloy
表面处理/Surface	镀金/Hard-gold Plated 镀银/Hard-silver Plated
接触电阻/Contact Resistance	≤1mΩ

接线方式 Connection type

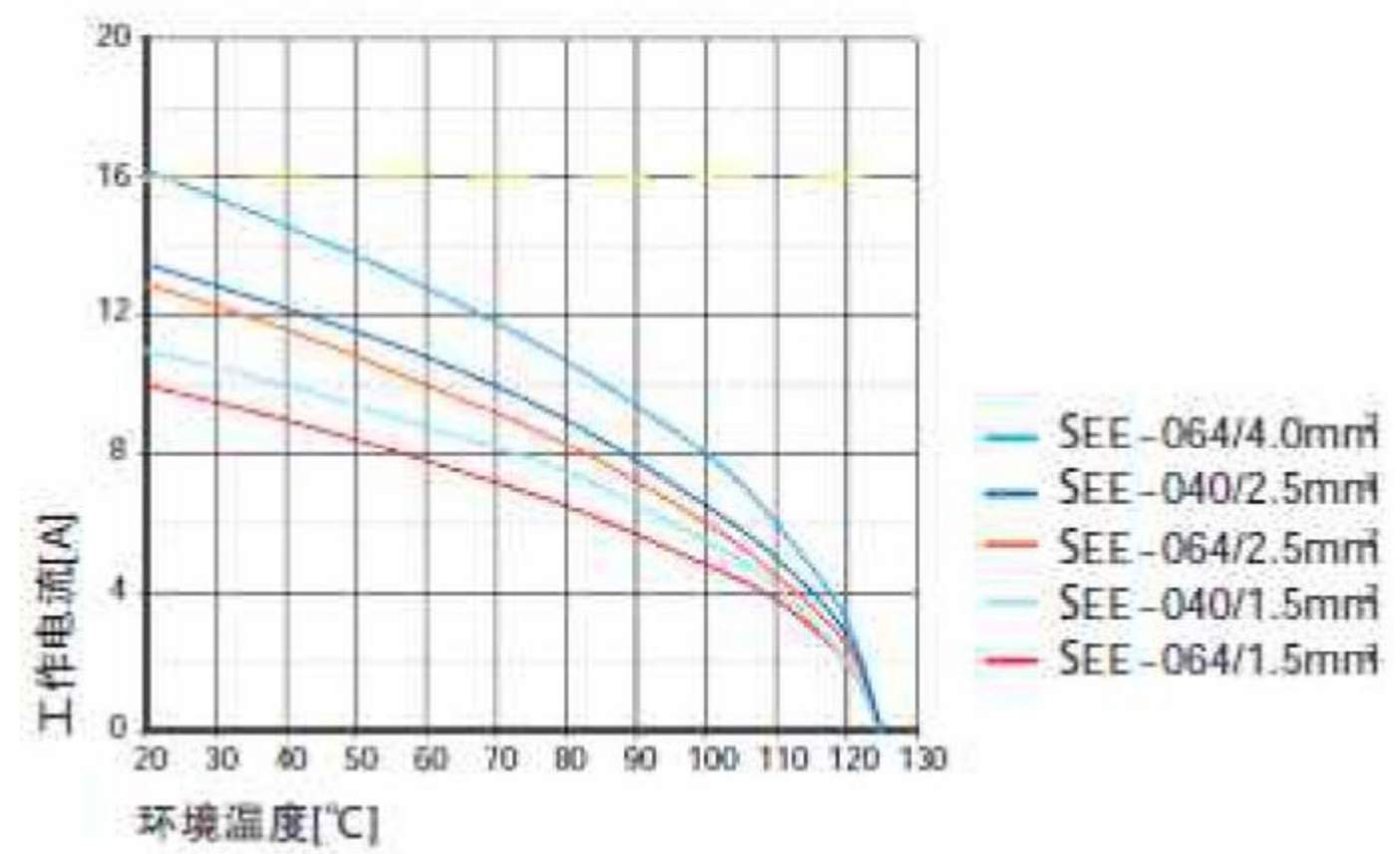
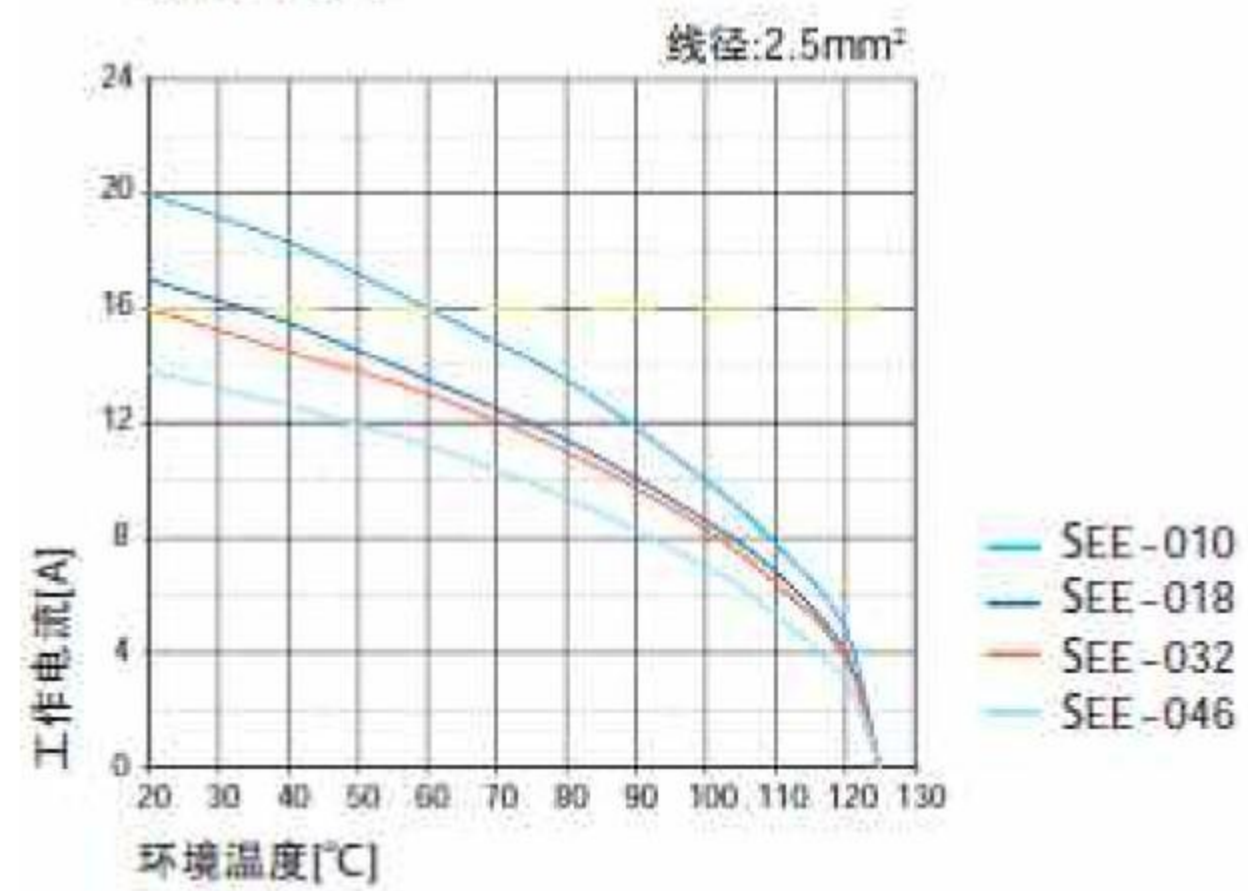
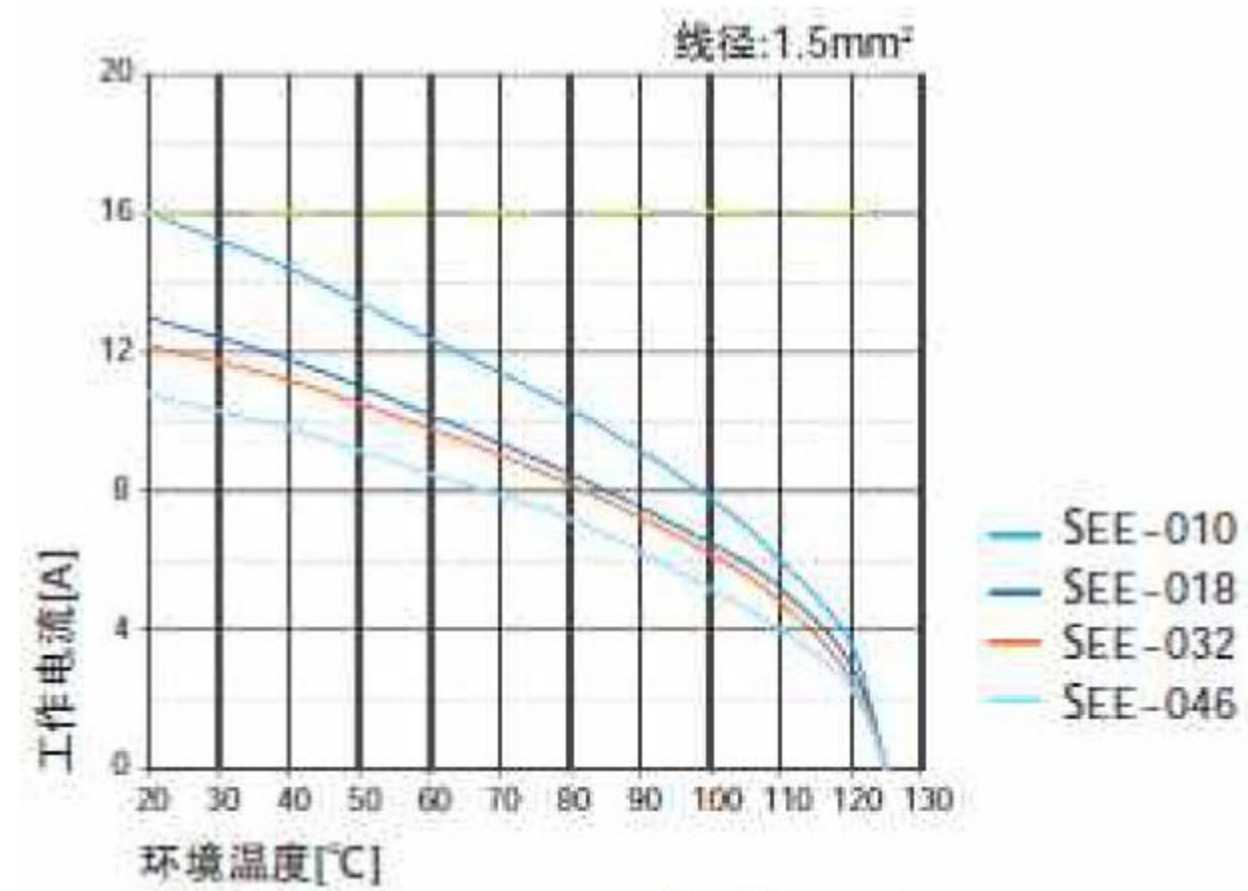
冷压连接 / Crimp terminal

导线规格/Wire Gauge	0.14-4mm ²
AWG	26-12
剥线长度/Strip length	7.5mm

电流负载能力/Current load capacity

电流负载能力所受的限制主要来自包含接插针的接插体可承受的最大温度。
The limitation of current load capacity mainly comes from the plug-in body with pin Maximum temperature.

测试和控制过程依据DIN EN 60512-5
Test and control process according to DIN EN 60512-5



SEE-010高密度型插芯 High-density Inserts 500V 16A 10+ ⊥

外壳尺寸/Shell size: 匹配6B外壳, 请参考P47-P48(Match 6B case, refer to P47-P48)

连接方式 Connection mode	插芯 Inserts	型号 Model	订货号 Order No.	图纸 Drawing
冷压连接 Crimp terminal	公 Male	SEE-010	SEE-010-MC	<p>接插体之间的最大距离21mm Distance for contact max.21mm</p> <p>接插针排序 Contacts arrangement view for termination side</p> <p>面板安装开孔图 panel cut out for use without Hoods/housings</p>
	母 Female	SEE-010	SEE-010-FC	

附件 Accessories

16A冷压针(接触电阻≤1mΩ) 16A cold pressing needle (contact resistance ≤ 1mΩ)				插针图纸 Contacts drawing		

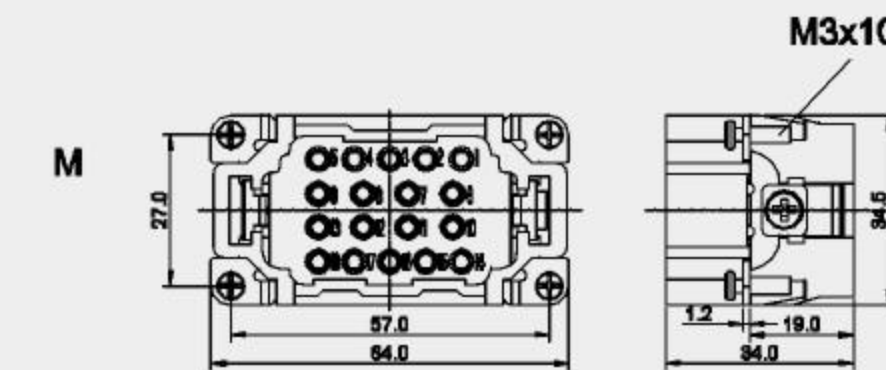
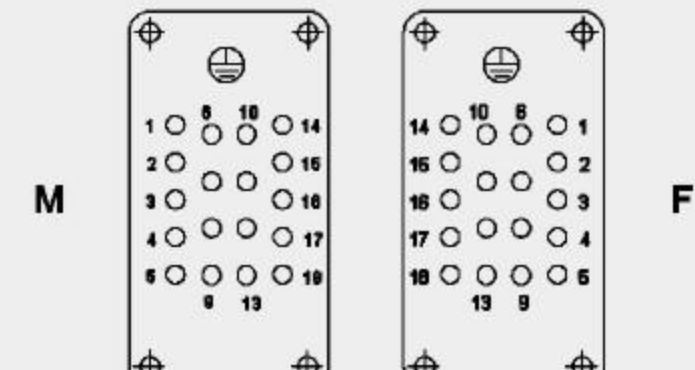
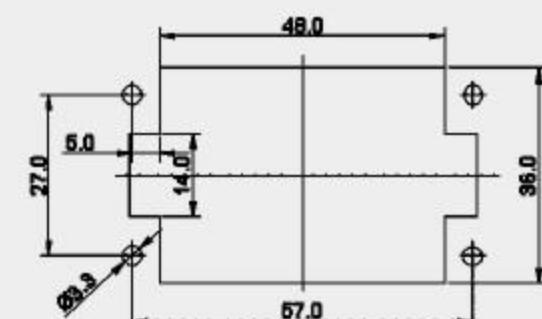
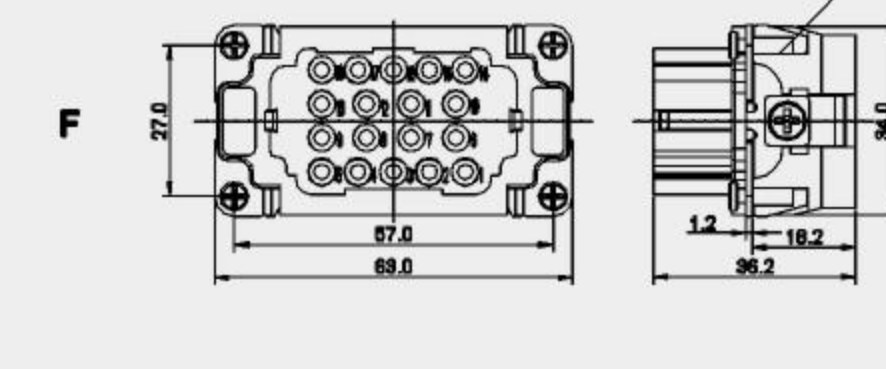
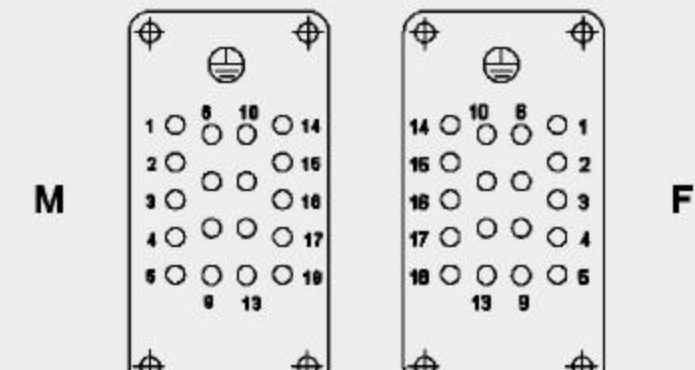
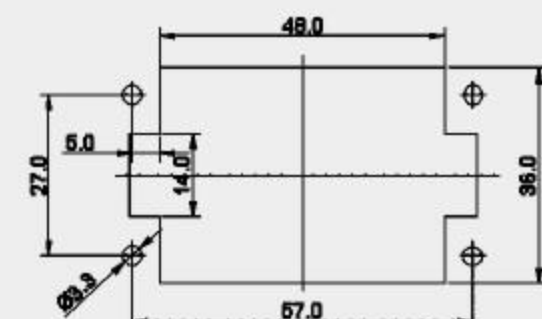
插针 Contacts	镀银 Silver-plated		镀金 Gold-plated		线规 Wire gauge (mm ²) (AWG)	剥线长度 Strip length (mm)
	订货号 (公) (Part Number)	订货号 (母) (Part Number)	订货号 (公) (Part Number)	订货号 (母) (Part Number)		
	SCSM-016-0.37	SCSF-016-0.37	SCGM-016-0.37	SCGF-016-0.37	0.9	7.5mm
	SCSM-016-0.5	SCSF-016-0.5	SCGM-016-0.5	SCGF-016-0.5	1.1	7.5mm
	SCSM-016-0.75	SCSF-016-0.75	SCGM-016-0.75	SCGF-016-0.75	1.3	7.5mm
	SCSM-016-1.0	SCSF-016-1.0	SCGM-016-1.0	SCGF-016-1.0	1.45	7.5mm
	SCSM-016-1.5	SCSF-016-1.5	SCGM-016-1.5	SCGF-016-1.5	1.75	7.5mm
	SCSM-016-2.5	SCSF-016-2.5	SCGM-016-2.5	SCGF-016-2.5	2.25	7.5mm
	SCSM-016-4.0	SCSF-016-4.0	SCGM-016-4.0	SCGF-016-4.0	2.85	7.5mm

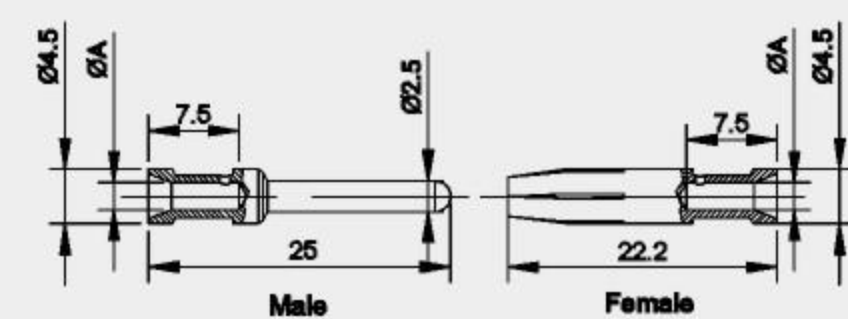



工具 Tools

冷压钳 (Crimping tool)	退针器 (Removal tool)
订货号Order No : SL-4.0	订货号Order No : ST-16A
压接线径 The diameter of the crimping wire : 0.5-4.0mm ² (AWG 20-12)	适用于For : 16A冷压针(16A cold pressing needle)

SEE-018高密度型插芯 High-density Inserts 500V 16A 18+

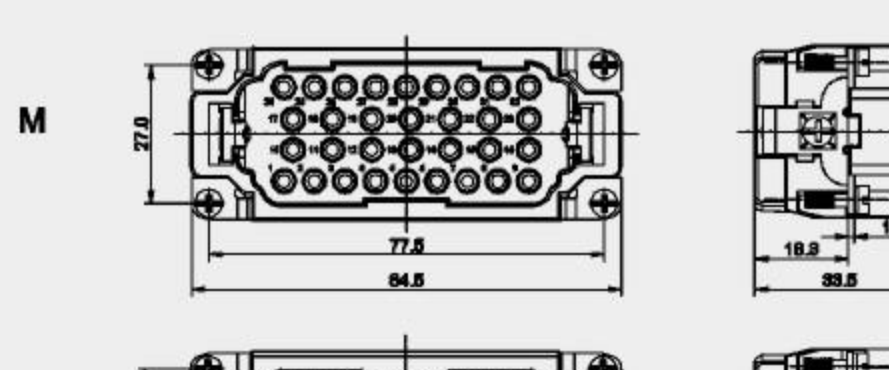
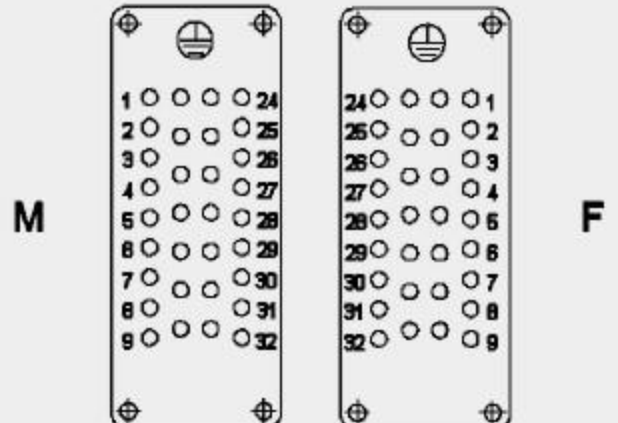
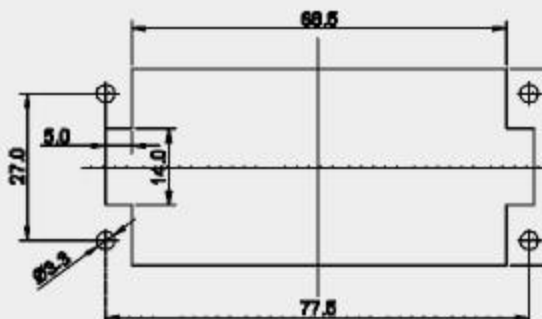
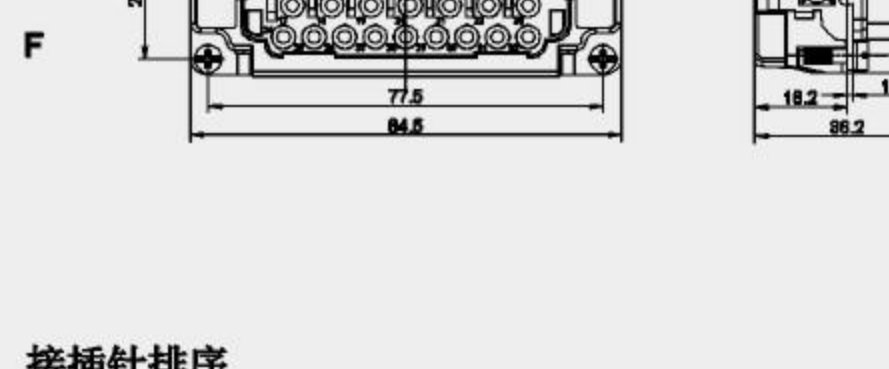
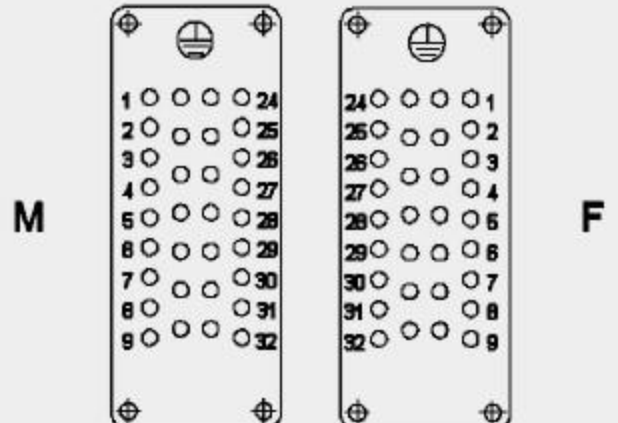
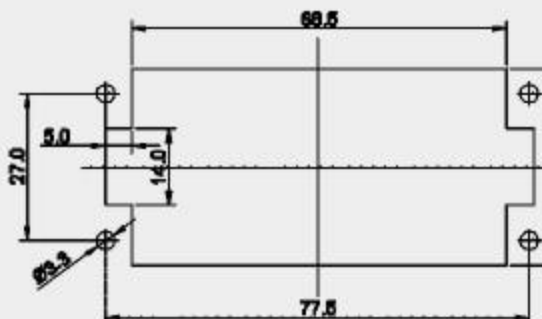
外壳尺寸/Shell size: 匹配10B外壳, 请参考P49-P54(Match 10B case, refer to P49-P54)

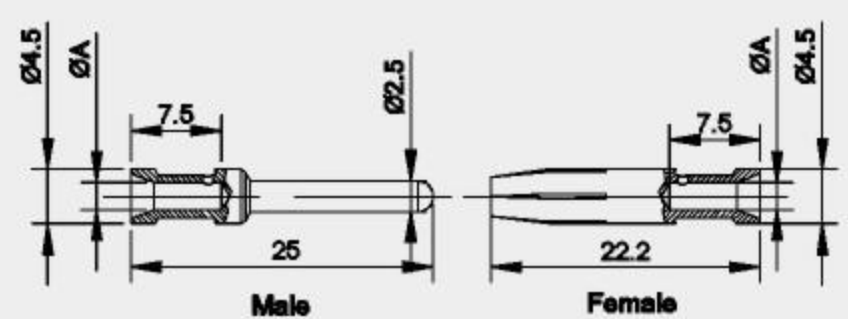



连接方式 Connection mode	插芯 Inserts	型号 Model	订货号 Order No.	图纸 Drawing
冷压连接 Crimp terminal	公 Male	SEE-018	SEE-018-MC	<p>接插体之间的最大距离21mm Distance for contact max.21mm</p>  <p>接插针排序 Contacts arrangement view for termination side</p>  <p>面板安装开孔图 panel cut out for use without Hoods/housings</p> 
	母 Female	SEE-018	SEE-018-FC	 <p>接插针排序 Contacts arrangement view for termination side</p>  <p>面板安装开孔图 panel cut out for use without Hoods/housings</p> 

附件 Accessories					插针图纸 Contacts drawing			
16A冷压针(接触电阻≤1mΩ) 16A cold pressing needle (contact resistance ≤ 1m Ω)								
插针 Contacts	镀银 Silver-plated		镀金 Gold-plated		线规 Wire gauge (mm ²) (AWG)	剥线长度 Strip length (mm)	线规 Wire gauge (mm ²) (AWG)	剥线长度 Strip length (mm)
	订货号 (公) (Part Number)	订货号 (母) (Part Number)	订货号 (公) (Part Number)	订货号 (母) (Part Number)				
	SCSM-016-0.37	SCSF-016-0.37	SCGM-016-0.37	SCGF-016-0.37	0.9	0.14-0.37	26-22	7.5mm
	SCSM-016-0.5	SCSF-016-0.5	SCGM-016-0.5	SCGF-016-0.5	1.1	0.5	20	7.5mm
	SCSM-016-0.75	SCSF-016-0.75	SCGM-016-0.75	SCGF-016-0.75	1.3	0.75	18	7.5mm
	SCSM-016-1.0	SCSF-016-1.0	SCGM-016-1.0	SCGF-016-1.0	1.45	1	18	7.5mm
	SCSM-016-1.5	SCSF-016-1.5	SCGM-016-1.5	SCGF-016-1.5	1.75	1.5	16	7.5mm
	SCSM-016-2.5	SCSF-016-2.5	SCGM-016-2.5	SCSF-016-2.5	2.25	2.5	14	7.5mm
	SCSM-016-4.0	SCSF-016-4.0	SCGM-016-4.0	SCGF-016-4.0	2.85	4	12	7.5mm
	工具 Tools							
冷压钳 (Crimping tool)				退针器 (Removal tool)				
								
订货号Order No : SL-4.0				订货号Order No : ST-16A				
压接线径The diameter of the crimping wire : 0.5-4.0mm ² (AWG 20-12)				适用于For : 16A冷压针(16A cold pressing needle)				

SEE-032高密度型插芯 High-density Inserts 500V 16A 32+

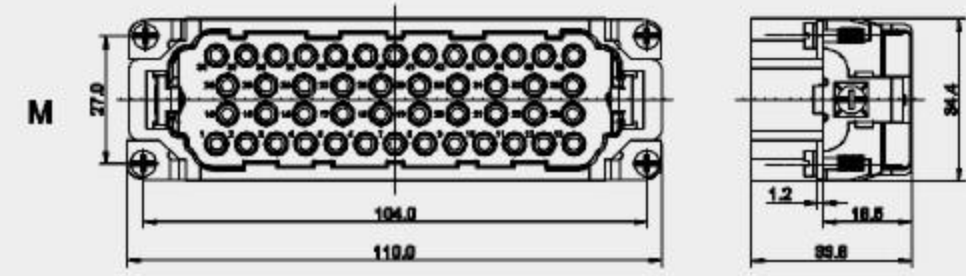
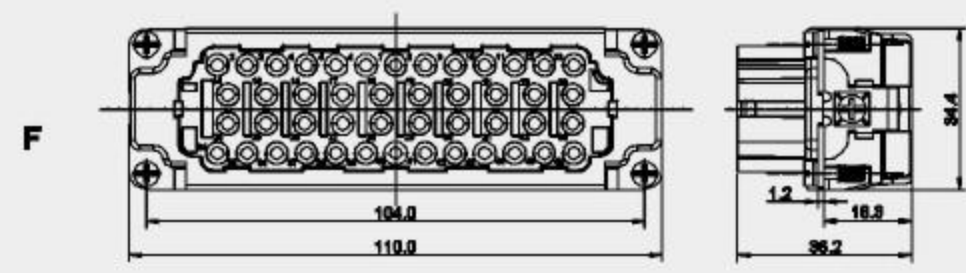
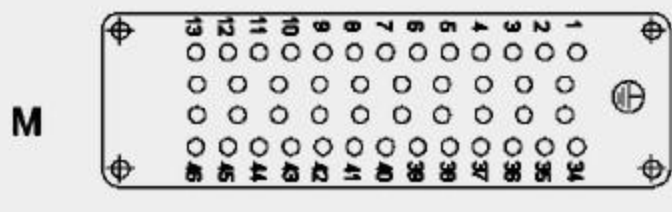
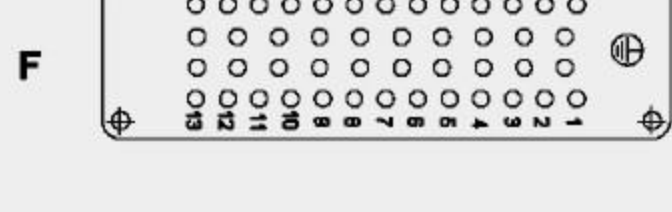
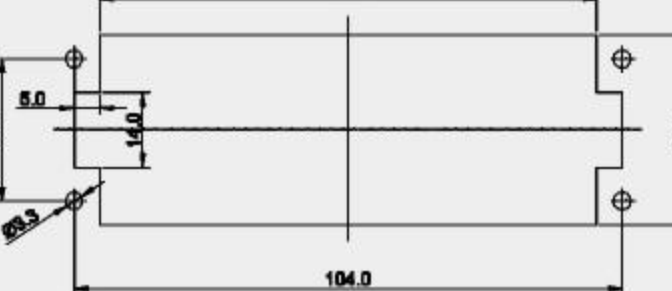
外壳尺寸/Shell size: 匹配16B外壳, 请参考P55-P60(Match 16B case, refer to P55-P60)

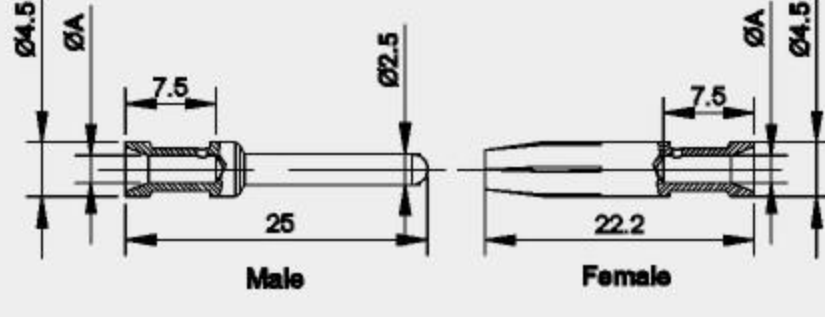



连接方式 Connection mode	插芯 Inserts	型号 Model	订货号 Order No.	图纸 Drawing
冷压连接 Crimp terminal	公 Male	SEE-032	SEE-032-MC	<p>接插体之间的最大距离21mm Distance for contact max.21mm</p>  <p>接插针排序 Contacts arrangement view for termination side</p>  <p>面板安装开孔图 panel cut out for use without Hoods/housings</p> 
	母 Female	SEE-032	SEE-032-FC	 <p>接插针排序 Contacts arrangement view for termination side</p>  <p>面板安装开孔图 panel cut out for use without Hoods/housings</p> 

附件 Accessories					插针图纸 Contacts drawing			
16A冷压针(接触电阻≤1mΩ) 16A cold pressing needle (contact resistance ≤ 1m Ω)								
插针 Contacts	镀银 Silver-plated		镀金 Gold-plated		线规 Wire gauge (mm ²) (AWG)	剥线长度 Strip length (mm)	线规 Wire gauge (mm ²) (AWG)	剥线长度 Strip length (mm)
	订货号 (公) (Part Number)	订货号 (母) (Part Number)	订货号 (公) (Part Number)	订货号 (母) (Part Number)				
	SCSM-016-0.37	SCSF-016-0.37	SCGM-016-0.37	SCGF-016-0.37	0.9	0.14-0.37	26-22	7.5mm
	SCSM-016-0.5	SCSF-016-0.5	SCGM-016-0.5	SCGF-016-0.5	1.1	0.5	20	7.5mm
	SCSM-016-0.75	SCSF-016-0.75	SCGM-016-0.75	SCGF-016-0.75	1.3	0.75	18	7.5mm
	SCSM-016-1.0	SCSF-016-1.0	SCGM-016-1.0	SCGF-016-1.0	1.45	1	18	7.5mm
	SCSM-016-1.5	SCSF-016-1.5	SCGM-016-1.5	SCGF-016-1.5	1.75	1.5	16	7.5mm
	SCSM-016-2.5	SCSF-016-2.5	SCGM-016-2.5	SCSF-016-2.5	2.25	2.5	14	7.5mm
	SCSM-016-4.0	SCSF-016-4.0	SCGM-016-4.0	SCGF-016-4.0	2.85	4	12	7.5mm
	工具 Tools							
冷压钳 (Crimping tool)				退针器 (Removal tool)				
								
订货号Order No : SL-4.0				订货号Order No : ST-16A				
压接线径The diameter of the crimping wire : 0.5-4.0mm ² (AWG 20-12)				适用于For : 16A冷压针(16A cold pressing needle)				

SEE-046高密度型插芯 High-density Inserts 500V 16A 46+

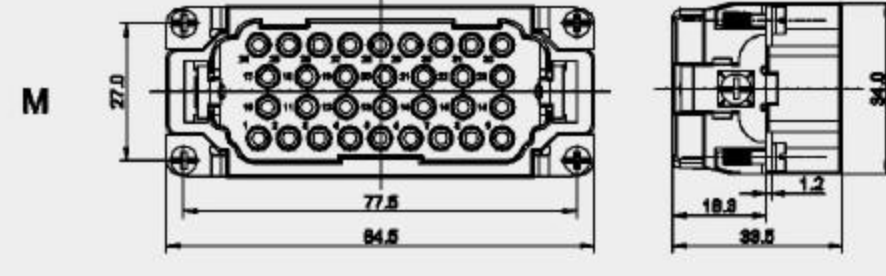
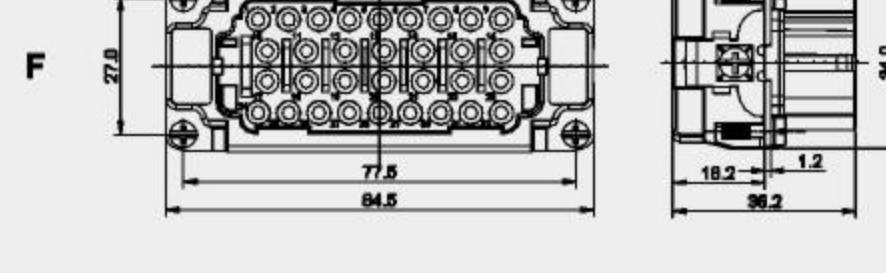
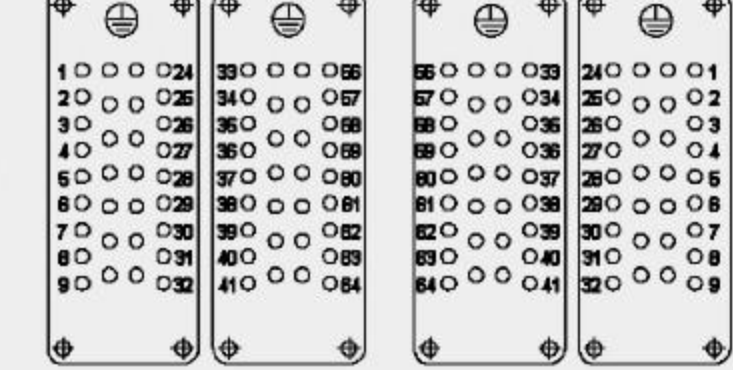
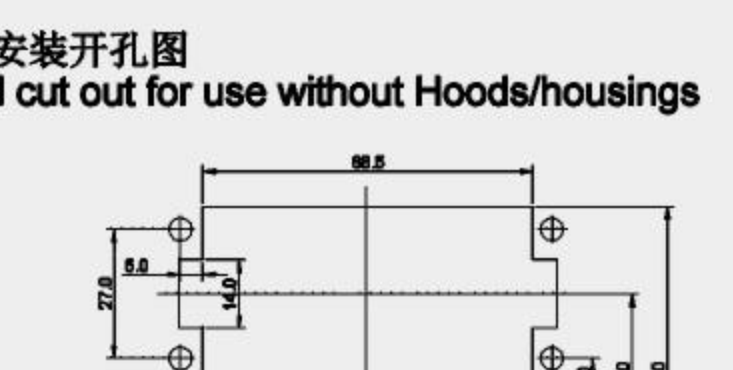
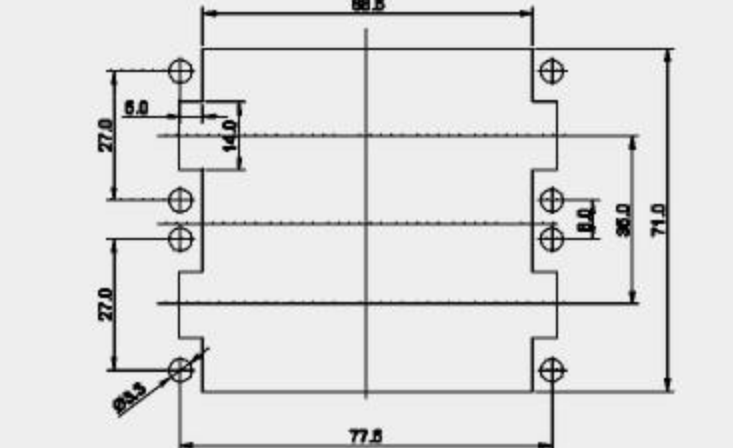
外壳尺寸/Shell size: 匹配24B外壳, 请参考P61-P66(Match 24B case, refer to P61-P66)

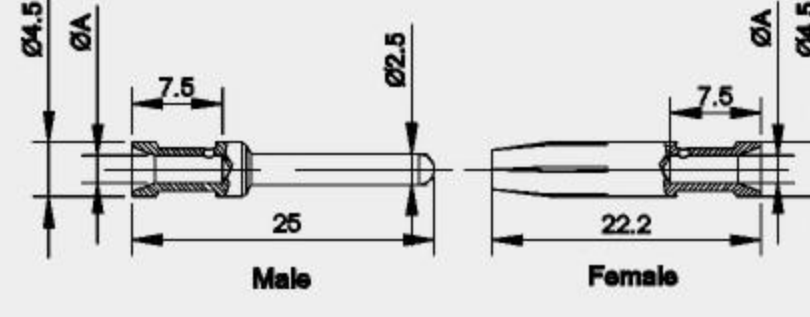



连接方式 Connection mode	插芯 Inserts	型号 Model	订货号 Order No.	图纸 Drawing
冷压连接 Crimp terminal	公 Male	SEE-046	SEE-046-MC	<p>接插体之间的最大距离21mm Distance for contact max.21mm</p>   <p>接插针排序 Contacts arrangement view for termination side</p>   <p>面板安装开孔图 panel cut out for use without Hoods/housings</p> 
	母 Female		SEE-046-FC	

附件 Accessories					插针图纸 Contacts drawing			
16A冷压针(接触电阻≤1mΩ) 16A cold pressing needle (contact resistance ≤ 1mΩ)								
插针 Contacts	镀银 Silver-plated		镀金 Gold-plated		线规 Wire gauge (mm²) (AWG)	剥线长度 Strip length (mm)	∅A	
	订货号 (公) (Part Number)	订货号 (母) (Part Number)	订货号 (公) (Part Number)	订货号 (母) (Part Number)				
	SCSM-016-0.37	SCSF-016-0.37	SCGM-016-0.37	SCGF-016-0.37	0.9	0.14-0.37	26-22	7.5mm
	SCSM-016-0.5	SCSF-016-0.5	SCGM-016-0.5	SCGF-016-0.5	1.1	0.5	20	7.5mm
	SCSM-016-0.75	SCSF-016-0.75	SCGM-016-0.75	SCGF-016-0.75	1.3	0.75	18	7.5mm
	SCSM-016-1.0	SCSF-016-1.0	SCGM-016-1.0	SCGF-016-1.0	1.45	1	18	7.5mm
	SCSM-016-1.5	SCSF-016-1.5	SCGM-016-1.5	SCGF-016-1.5	1.75	1.5	16	7.5mm
	SCSM-016-2.5	SCSF-016-2.5	SCGM-016-2.5	SCSF-016-2.5	2.25	2.5	14	7.5mm
	SCSM-016-4.0	SCSF-016-4.0	SCGM-016-4.0	SCGF-016-4.0	2.85	4	12	7.5mm
工具 Tools								
冷压钳 (Crimping tool)				退针器 (Removal tool)				
								
订货号Order No : SL-4.0				订货号Order No : ST-16A				
压接线径The diameter of the crimping wire : 0.5-4.0mm² (AWG 20-12)				适用于For : 16A冷压针(16A cold pressing needle)				

SEE-064高密度型插芯 High-density Inserts 500V 16A 64+

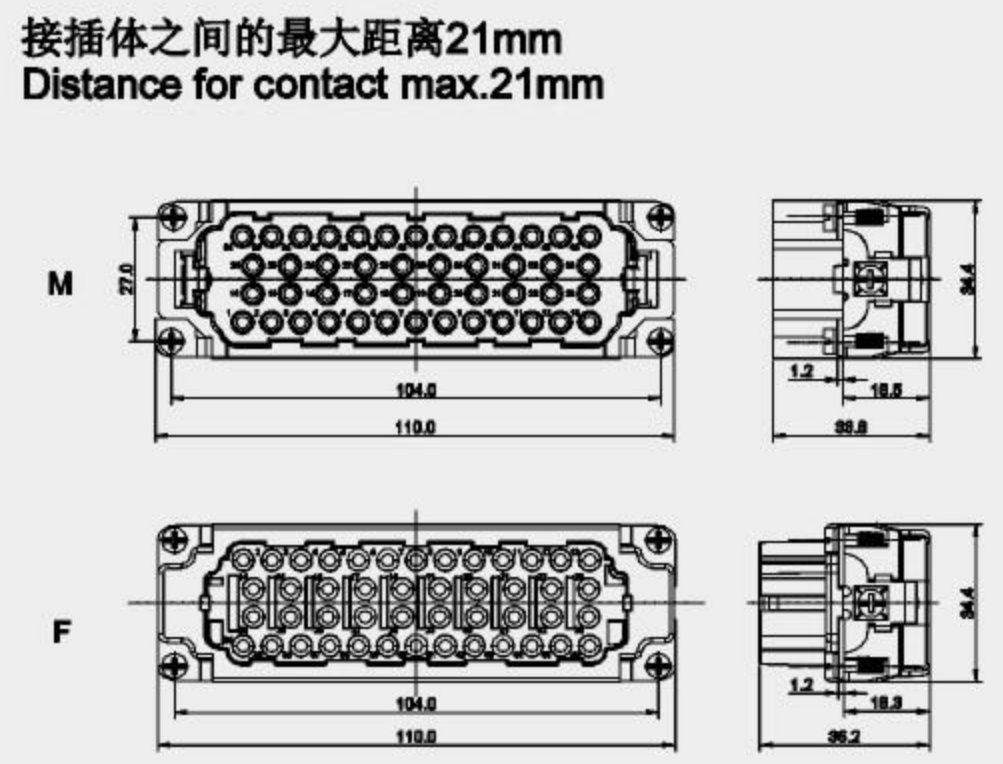
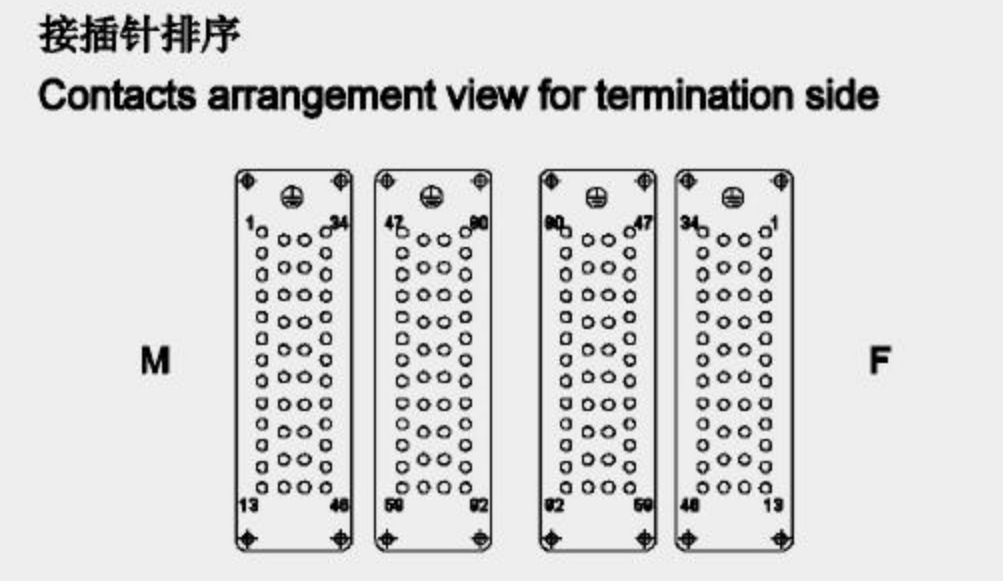
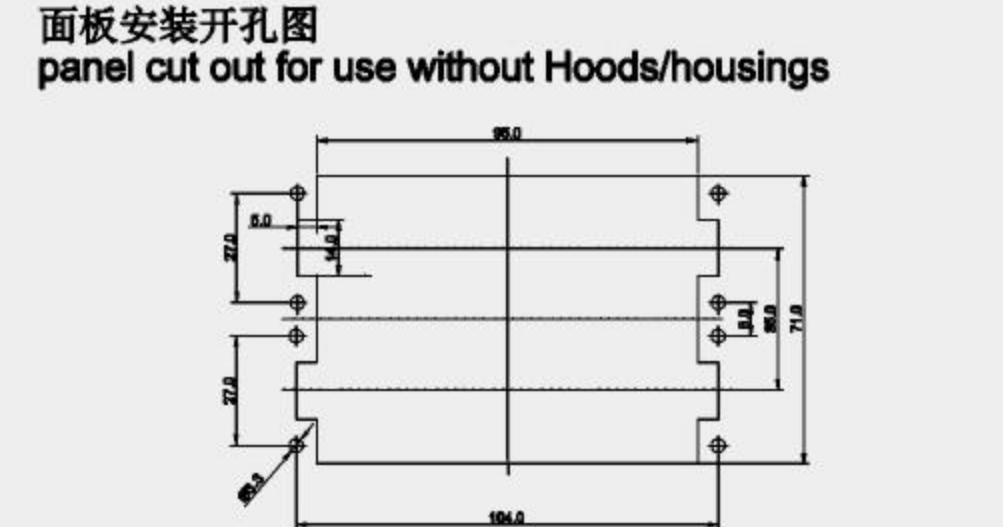
外壳尺寸/Shell size: 匹配32B外壳, 请参考P67-P68(Match 32B case, refer to P67-P68)

连接方式 Connection mode	插芯 Inserts	型号 Model	订货号 Order No.	图纸 Drawing
冷压连接 Crimp terminal	公 Male	SEE-064	SEE-064-MC	<p>接插体之间的最大距离21mm Distance for contact max.21mm</p>   <p>接插针排序 Contacts arrangement view for termination side</p>   <p>面板安装开孔图 panel cut out for use without Hoods/housings</p> 
	母 Female		SEE-064-FC	

附件 Accessories					插针图纸 Contacts drawing			
16A冷压针(接触电阻≤1mΩ) 16A cold pressing needle (contact resistance ≤ 1mΩ)								
插针 Contacts	镀银 Silver-plated		镀金 Gold-plated		线规 Wire gauge (mm²) (AWG)	剥线长度 Strip length (mm)	∅A	
	订货号 (公) (Part Number)	订货号 (母) (Part Number)	订货号 (公) (Part Number)	订货号 (母) (Part Number)				
	SCSM-016-0.37	SCSF-016-0.37	SCGM-016-0.37	SCGF-016-0.37	0.9	0.14-0.37	26-22	7.5mm
	SCSM-016-0.5	SCSF-016-0.5	SCGM-016-0.5	SCGF-016-0.5	1.1	0.5	20	7.5mm
	SCSM-016-0.75	SCSF-016-0.75	SCGM-016-0.75	SCGF-016-0.75	1.3	0.75	18	7.5mm
	SCSM-016-1.0	SCSF-016-1.0	SCGM-016-1.0	SCGF-016-1.0	1.45	1	18	7.5mm
	SCSM-016-1.5	SCSF-016-1.5	SCGM-016-1.5	SCGF-016-1.5	1.75	1.5	16	7.5mm
	SCSM-016-2.5	SCSF-016-2.5	SCGM-016-2.5	SCSF-016-2.5	2.25	2.5	14	7.5mm
	SCSM-016-4.0	SCSF-016-4.0	SCGM-016-4.0	SCGF-016-4.0	2.85	4	12	7.5mm
工具 Tools								
冷压钳 (Crimping tool)				退针器 (Removal tool)				
								
订货号Order No : SL-4.0				订货号Order No : ST-16A				
压接线径The diameter of the crimping wire : 0.5-4.0mm² (AWG 20-12)				适用于For : 16A冷压针(16A cold pressing needle)				

SEE-092高密度型插芯 High-density Inserts 500V 16A 92+

外壳尺寸/Shell size: 匹配48B外壳, 请参考P69(Match48B case, refer to P69)

连接方式 Connection mode	插芯 Inserts	型号 Model	订货号 Order No.	图纸 Drawing
冷压连接 Crimp terminal	公 Male	SEE-092	SEE-092-MC	接插体之间的最大距离21mm Distance for contact max.21mm 
	母 Female	SEE-092	SEE-092-FC	接插针排序 Contacts arrangement view for termination side  面板安装开孔图 panel cut out for use without Hoods/housings 

附件 Accessories					插针图纸 Contacts drawing			
16A冷压针(接触电阻≤1mΩ) 16A cold pressing needle (contact resistance ≤ 1mΩ)								
插针 Contacts	镀银 Silver-plated		镀金 Gold-plated		线规 Wire gauge (mm²)	剥线长度 Strip length (mm)	线规 Wire gauge (AWG)	剥线长度 Strip length (mm)
	订货号 (公) (Part Number)	订货号 (母) (Part Number)	订货号 (公) (Part Number)	订货号 (母) (Part Number)				
	SCSM-016-0.37	SCSF-016-0.37	SCGM-016-0.37	SCGF-016-0.37	0.9	0.14-0.37	26-22	7.5mm
	SCSM-016-0.5	SCSF-016-0.5	SCGM-016-0.5	SCGF-016-0.5	1.1	0.5	20	7.5mm
	SCSM-016-0.75	SCSF-016-0.75	SCGM-016-0.75	SCGF-016-0.75	1.3	0.75	18	7.5mm
	SCSM-016-1.0	SCSF-016-1.0	SCGM-016-1.0	SCGF-016-1.0	1.45	1	18	7.5mm
	SCSM-016-1.5	SCSF-016-1.5	SCGM-016-1.5	SCGF-016-1.5	1.75	1.5	16	7.5mm
	SCSM-016-2.5	SCSF-016-2.5	SCGM-016-2.5	SCSF-016-2.5	2.25	2.5	14	7.5mm
	SCSM-016-4.0	SCSF-016-4.0	SCGM-016-4.0	SCGF-016-4.0	2.85	4	12	7.5mm

工具 Tools	
冷压钳 (Crimping tool)	退针器 (Removal tool)
 订货号Order No : SL-4.0 压接线径The diameter of the crimping wire : 0.5-4.0mm² (AWG 20-12)	 订货号Order No : ST-16A 适用于For : 16A冷压针(16A cold pressing needle)

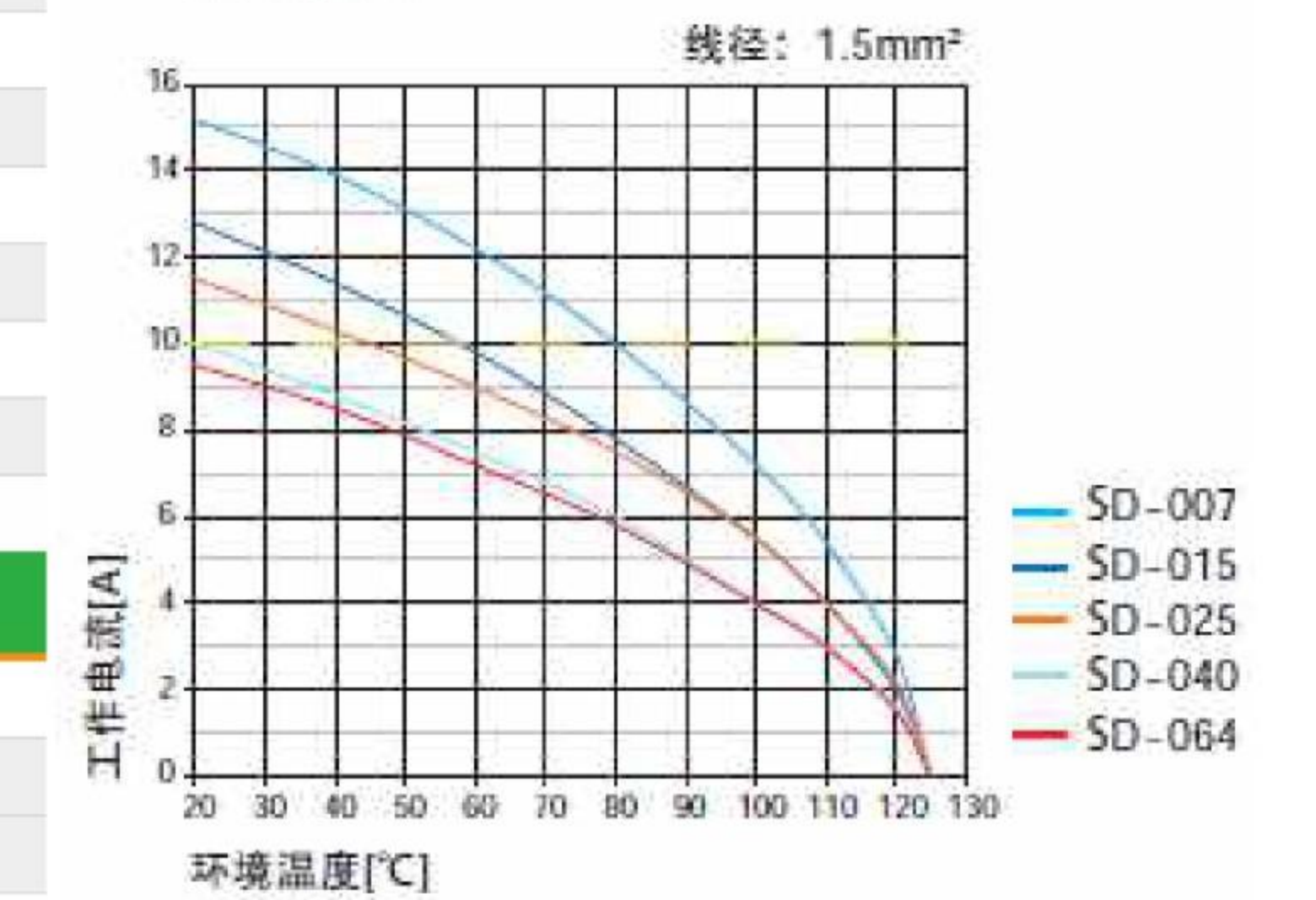
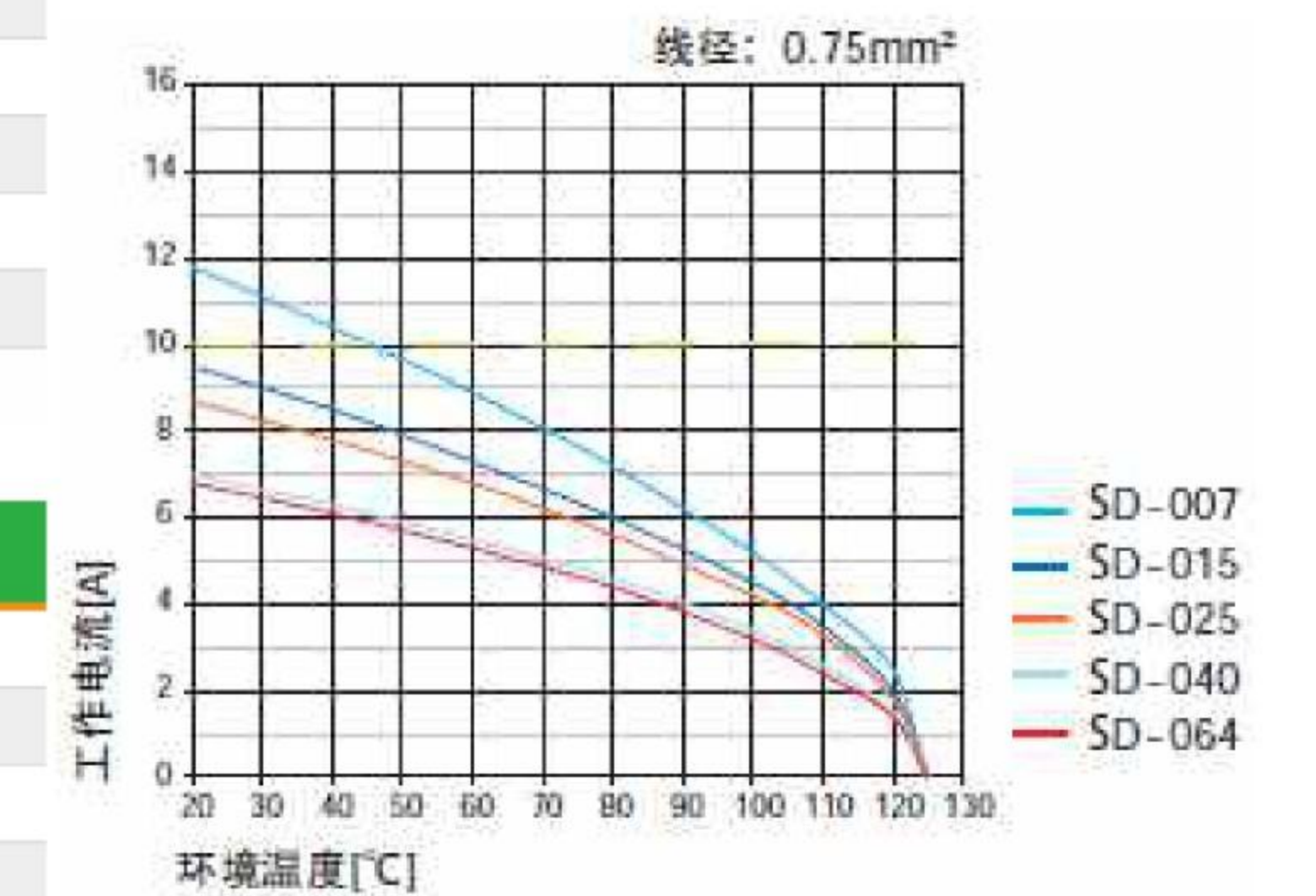
SD 系列/SD SERIES

技术参数 Technical characteristics	
规范/Specifications	DIN EN60664 DIN EN61984
插芯 Inserts	
接插件针数/Number of Contacts	7,8,15,40,50(2x25),64,80(2x40),128(2x64)+PE
依照DEN EN 61984的额定电压/Rated voltage according to den DEN EN 61984	
额定电流/Rated Current	10A
额定电压/Rated Voltage	250V
额定脉冲电压/Rated impulse voltage	4KV
污染程度/Pollution Degree	3
污染等级2时的参数/Pollution Degree 2 Also	10A 230V/400 4KV 2
依据UL/CSA额定电压/Rated Voltage Acc.to UL / CSA	600V
依据CSA绕线连接的额定电压 Rated voltage of winding connection according to CSA	2A 30V
SD-008的电气线数 Number of electrical wires of sd-008	
额定电流/Rated Current	10A
额定电压/Rated Voltage	~ 50V/-120V
额定脉冲电压/Rated Impulse Voltage	0.8KV
污染程度/Pollution Degree	3
依据UL/CSA额定电压/Rated Voltage Acc.to UL / CSA	50V
额定电压(直流电压)/Rated Voltage(DC voltage)	120V
绝缘电阻/Insulation Resistance	≥ 10 ¹⁰ Ω
材料/Material	聚碳酸酯/Polycarbonate
工作温度范围/Limiting Temperatures	-40°C ~ +125°C
阻燃等级/Flammability Acc.to UL94	V0
可拔插次数/Mechanical Working Life-mating Cycles	≥ 500
插针 Contacts	
材料/Material	铜合金/Copper Alloy
表面处理/Surface	镀金/Hard-gold Plated 镀银/Hard-silver Plated
导线规格/Wire Gauge	≤3mΩ
接线方式 Connection type	
冷压连接 / Crimp terminal	
导线规格/Wire Gauge	0.14-2.5mm²
AWG	26-14

电流负载能力/Current load capacity

电流负载能力所受的限制主要来自包含接插针的接插体可承受的最大温度。
The limitation of current load capacity mainly comes from the plug-in body with pinMaximum temperature.

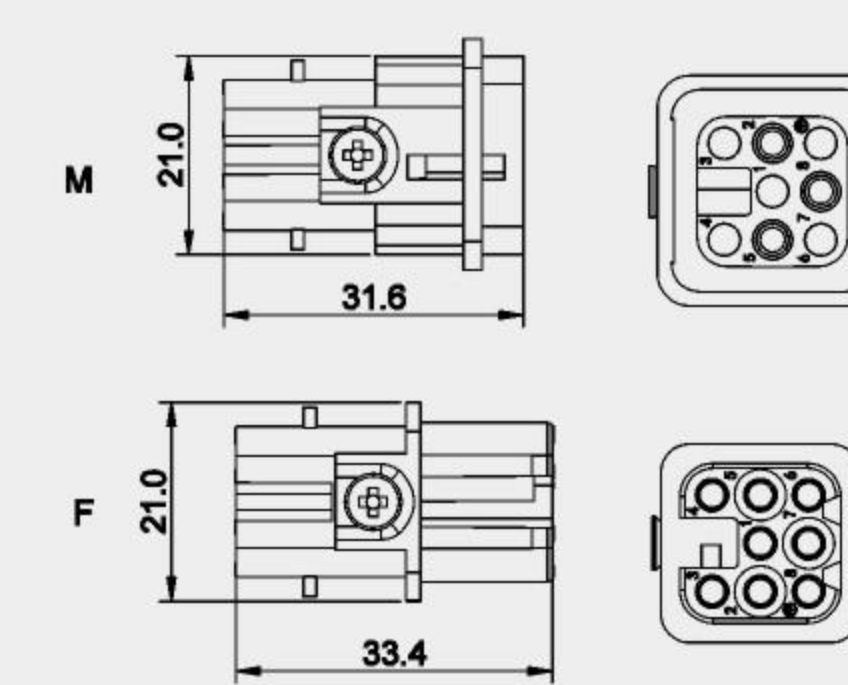
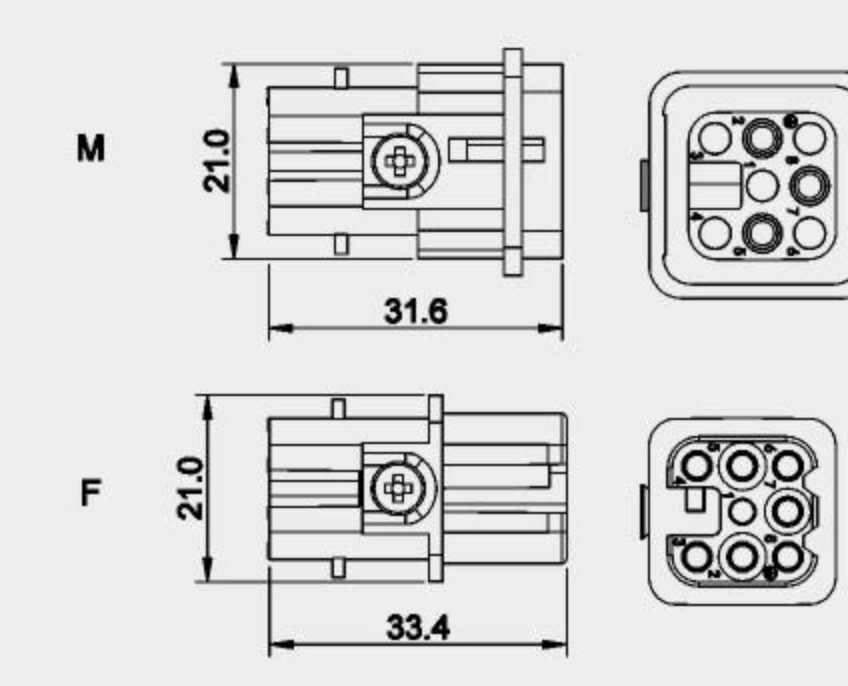
测试和控制过程依据DIN EN 60512-5
Test and control process according to DIN EN 60512-5



SD-007 超高密度型插芯 Utar-high density Inserts 250V 10A 7+

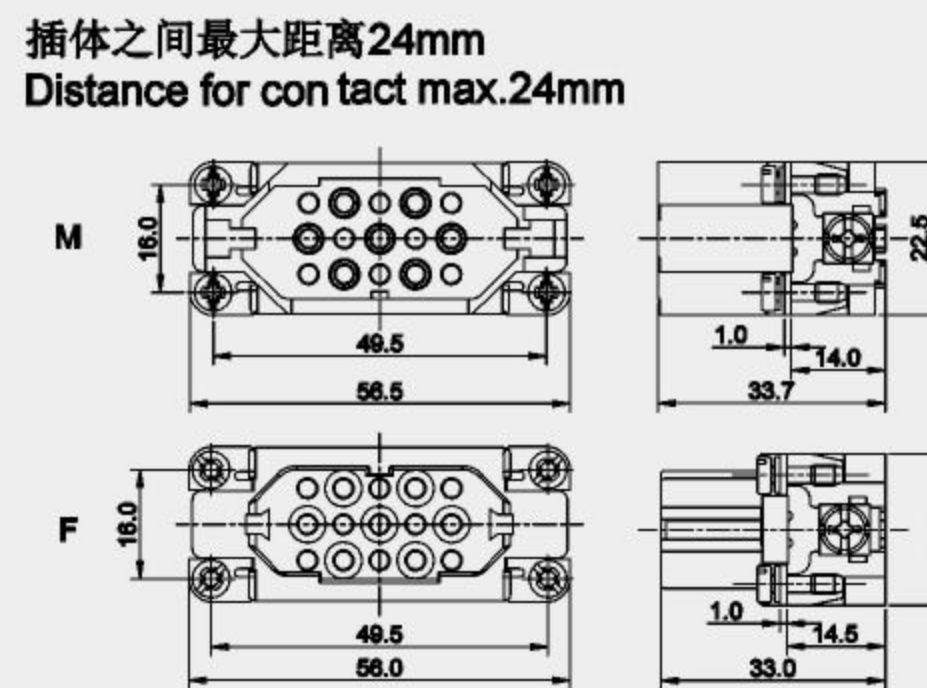
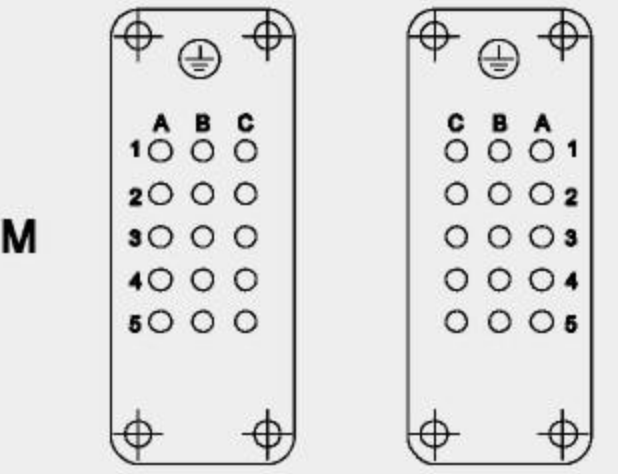
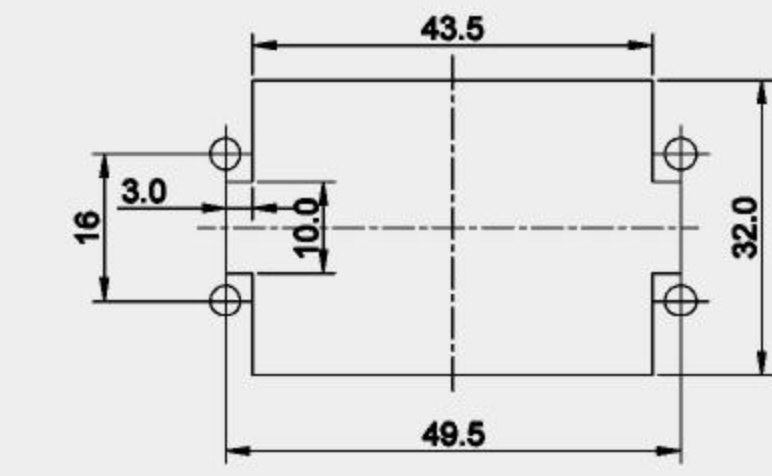
SD-008 超高密度型插芯 Utar-high density Inserts -120V/ ~ 50V 10A 8+

外壳尺寸/Shell size: 匹配3A外壳, 请参考P41-P42(Match 3A case, refer to P41-P42)

连接方式 Connection mode	插芯 Inserts	型号 Model	订货号 Order No.	图纸 Drawing
螺丝连接 Screw terminal	公 Male	SD-007	SD-007-MC	尺寸图及孔位图 Dimension and hole site 
	母 Female		SD-007-FC	
冷压连接 Crimp terminal	公 Male	SD-008	SD-008-MC	尺寸图及孔位图 Dimension and hole site 
	母 Female		SD-008-FC	

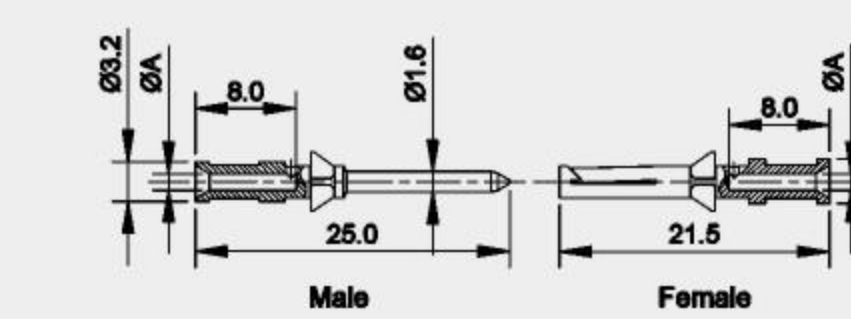

SD-015 超高密度型插芯 Utar-high density Inserts 250V 10A 15+

外壳尺寸/Shell size: 匹配10A外壳, 请参考P43(Match 10A case, refer to P43)

连接方式 Connection mode	插芯 Inserts	型号 Model	订货号 Order No.	图纸 Drawing
冷压连接 Crimp terminal	公 Male	SD-015	SD-015-MC	插体之间最大距离24mm Distance for contact max.24mm  接插针排序 Contacts arrangement view for termination side  面板安装开孔图 panel cut out for use without Hoods/housings 
	母 Female		SD-015-FC	

附件 Accessories					插针图纸 Contacts drawing			
10A冷压针(接触电阻≤3mΩ) 10A cold pressing needle (contact resistance ≤ 3m Ω)								
插针 Contacts	镀银 Silver-plated		镀金 Gold-plated		线规 Wire gauge (mm ²) (AWG)	剥线长度 Strip length (mm)	线规 Wire gauge (mm ²) (AWG)	剥线长度 Strip length (mm)
	订货号 (公) (Part Number)	订货号 (母) (Part Number)	订货号 (公) (Part Number)	订货号 (母) (Part Number)				
	SCSM-010-0.37	SCSF-010-0.37	SCGM-010-0.37	SCGF-010-0.37	0.9	0.14-0.37	26-22	8.0mm
	SCSM-010-0.5	SCSF-010-0.5	SCGM-010-0.5	SCGF-010-0.5	1.1	0.5	20	8.0mm
	SCSM-010-0.75	SCSF-010-0.75	SCGM-010-0.75	SCGF-010-0.75	1.3	0.75	18	8.0mm
	SCSM-010-1.0	SCSF-010-1.0	SCGM-010-1.0	SCGF-010-1.0	1.45	1	18	8.0mm
	SCSM-010-1.5	SCSF-010-1.5	SCGM-010-1.5	SCGF-010-1.5	1.75	1.5	16	8.0mm
	SCSM-010-2.5	SCSF-010-2.5	SCGM-010-2.5	SCSF-010-2.5	2.25	2.5	14	6.0mm

工具 Tools	
冷压钳 (Crimping tool)  订货号Order No : SL-4.0 压接线径The diameter of the crimping wire : 0.5-4.0mm ² (AWG 20-12)	退针器 (Removal tool)  订货号Order No : ST-10A 适用于For : 10A冷压针(10A cold pressing needle)

附件 Accessories					插针图纸 Contacts drawing			
10A冷压针(接触电阻≤3mΩ) 10A cold pressing needle (contact resistance ≤ 3m Ω)								
插针 Contacts	镀银 Silver-plated		镀金 Gold-plated		线规 Wire gauge (mm ²) (AWG)	剥线长度 Strip length (mm)	线规 Wire gauge (mm ²) (AWG)	剥线长度 Strip length (mm)
	订货号 (公) (Part Number)	订货号 (母) (Part Number)	订货号 (公) (Part Number)	订货号 (母) (Part Number)				
	SCSM-010-0.37	SCSF-010-0.37	SCGM-010-0.37	SCGF-010-0.37	0.9	0.14-0.37	26-22	8.0mm
	SCSM-010-0.5	SCSF-010-0.5	SCGM-010-0.5	SCGF-010-0.5	1.1	0.5	20	8.0mm
	SCSM-010-0.75	SCSF-010-0.75	SCGM-010-0.75	SCGF-010-0.75	1.3	0.75	18	8.0mm
	SCSM-010-1.0	SCSF-010-1.0	SCGM-010-1.0	SCGF-010-1.0	1.45	1	18	8.0mm
	SCSM-010-1.5	SCSF-010-1.5	SCGM-010-1.5	SCGF-010-1.5	1.75	1.5	16	8.0mm
	SCSM-010-2.5	SCSF-010-2.5	SCGM-010-2.5	SCSF-010-2.5	2.25	2.5	14	6.0mm

工具 Tools	
冷压钳 (Crimping tool)  订货号Order No : SL-4.0 压接线径The diameter of the crimping wire : 0.5-4.0mm ² (AWG 20-12)	退针器 (Removal tool)  订货号Order No : ST-10A 适用于For : 10A冷压针(10A cold pressing needle)

SD-025 超高密度型插芯 Utar-high density Inserts 250V 10A 25+

外壳尺寸/Shell size: 匹配16A外壳, 请参考P44(Match 16A case, refer to P44)

连接方式 Connection mode	插芯 Inserts	型号 Model	订货号 Order No.	图纸 Drawing
冷压连接 Crimp terminal	公 Male	SD-025	SD-025-MC	插体之间最大距离24mm Distance for contact max.24mm
	母 Female		SD-025-FC	接插针排序 Contacts arrangement view for termination side 面板安装开孔图 panel cut out for use without Hoods/housings

SD-040 超高密度型插芯 Utar-high density Inserts 250V 10A 40+

外壳尺寸/Shell size: 匹配16B外壳, 请参考P55-P60(Match 16B case, refer to P55-P60)

连接方式 Connection mode	插芯 Inserts	型号 Model	订货号 Order No.	图纸 Drawing
冷压连接 Crimp terminal	公 Male	SD-040	SD-040-MC	插体之间最大距离24mm Distance for contact max.24mm
	母 Female		SD-040-FC	接插针排序 Contacts arrangement view for termination side 面板安装开孔图 panel cut out for use without Hoods/housings

附件 Accessories					插针图纸 Contacts drawing			
10A冷压针(接触电阻≤3mΩ) 10A cold pressing needle (contact resistance ≤ 3mΩ)								
插针 Contacts	镀银 Silver-plated		镀金 Gold-plated		线规 Wire gauge (∅A)	剥线长度 Strip length (mm)	线规 Wire gauge	
	订货号 (公) (Part Number)	订货号 (母) (Part Number)	订货号 (公) (Part Number)	订货号 (母) (Part Number)			(mm ²)	(AWG)
	SCSM-010-0.37	SCSF-010-0.37	SCGM-010-0.37	SCGF-010-0.37	0.9	0.14-0.37	26-22	8.0mm
	SCSM-010-0.5	SCSF-010-0.5	SCGM-010-0.5	SCGF-010-0.5	1.1	0.5	20	8.0mm
	SCSM-010-0.75	SCSF-010-0.75	SCGM-010-0.75	SCGF-010-0.75	1.3	0.75	18	8.0mm
	SCSM-010-1.0	SCSF-010-1.0	SCGM-010-1.0	SCGF-010-1.0	1.45	1	18	8.0mm
	SCSM-010-1.5	SCSF-010-1.5	SCGM-010-1.5	SCGF-010-1.5	1.75	1.5	16	8.0mm
	SCSM-010-2.5	SCSF-010-2.5	SCGM-010-2.5	SCSF-010-2.5	2.25	2.5	14	6.0mm

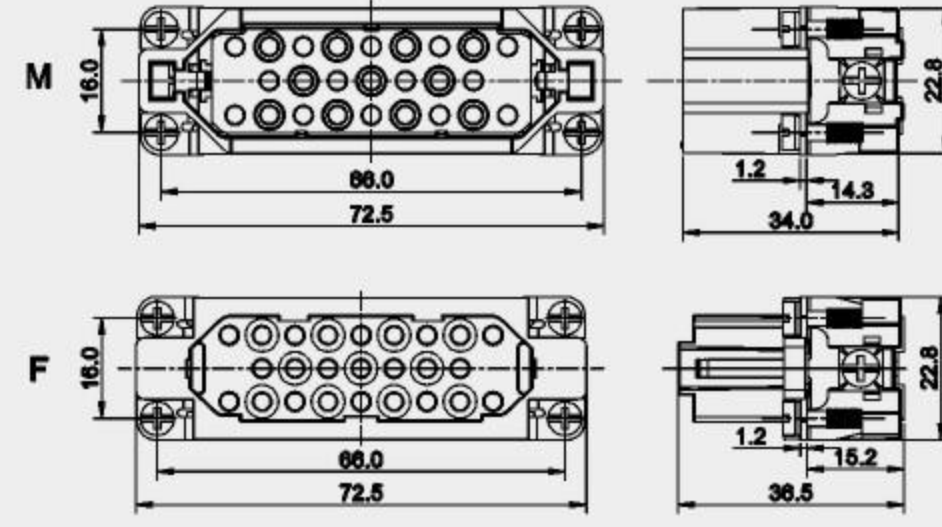
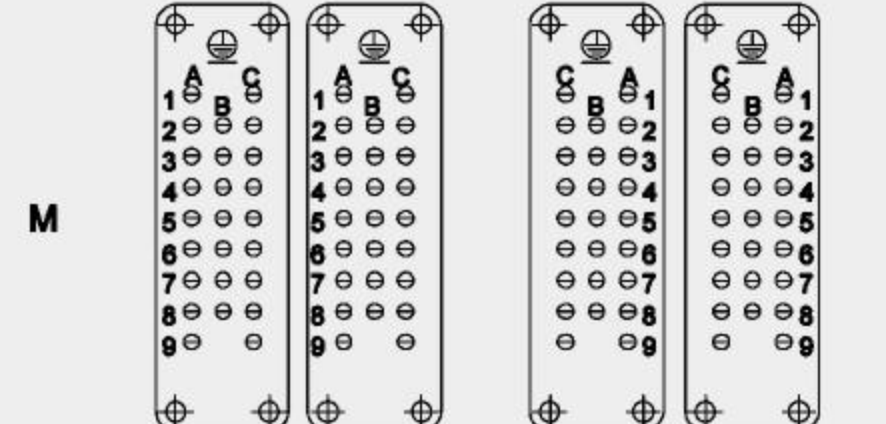
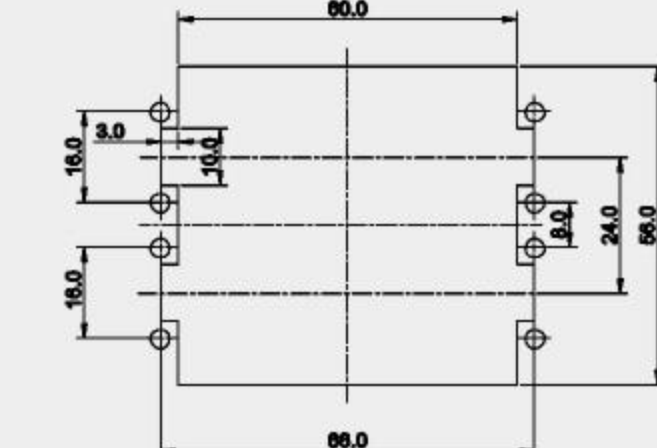
工具 Tools	
冷压钳 (Crimping tool)	退针器 (Removal tool)
订货号 Order No : SL-4.0	订货号 Order No : ST-10A
压接线径 The diameter of the crimping wire : 0.5-4.0mm ² (AWG 20-12)	适用于 For : 10A冷压针(10A cold pressing needle)

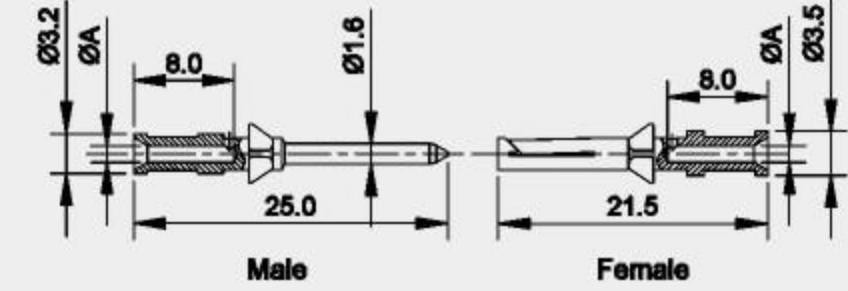



附件 Accessories					插针图纸 Contacts drawing			
10A冷压针(接触电阻≤3mΩ) 10A cold pressing needle (contact resistance ≤ 3mΩ)								
插针 Contacts	镀银 Silver-plated		镀金 Gold-plated		线规 Wire gauge (∅A)	剥线长度 Strip length (mm)	线规 Wire gauge	
	订货号 (公) (Part Number)	订货号 (母) (Part Number)	订货号 (公) (Part Number)	订货号 (母) (Part Number)			(mm ²)	(AWG)
	SCSM-010-0.37	SCSF-010-0.37	SCGM-010-0.37	SCGF-010-0.37	0.9	0.14-0.37	26-22	8.0mm
	SCSM-010-0.5	SCSF-010-0.5	SCGM-010-0.5	SCGF-010-0.5	1.1	0.5	20	8.0mm
	SCSM-010-0.75	SCSF-010-0.75	SCGM-010-0.75	SCGF-010-0.75	1.3	0.75	18	8.0mm
	SCSM-010-1.0	SCSF-010-1.0	SCGM-010-1.0	SCGF-010-1.0	1.45	1	18	8.0mm
	SCSM-010-1.5	SCSF-010-1.5	SCGM-010-1.5	SCGF-010-1.5	1.75	1.5	16	8.0mm
	SCSM-010-2.5	SCSF-010-2.5	SCGM-010-2.5	SCSF-010-2.5	2.25	2.5	14	6.0mm

工具 Tools	
冷压钳 (Crimping tool)	退针器 (Removal tool)
订货号 Order No : SL-4.0	订货号 Order No : ST-10A
压接线径 The diameter of the crimping wire : 0.5-4.0mm ² (AWG 20-12)	适用于 For : 10A冷压针(10A cold pressing needle)

SD-050 超高密度型插芯 Utar-high density Inserts 250V 10A 50+ 

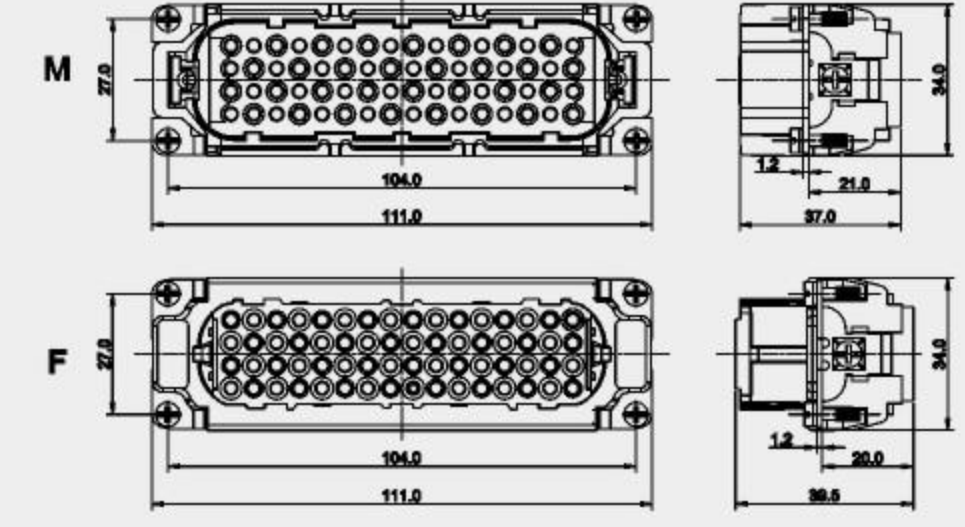
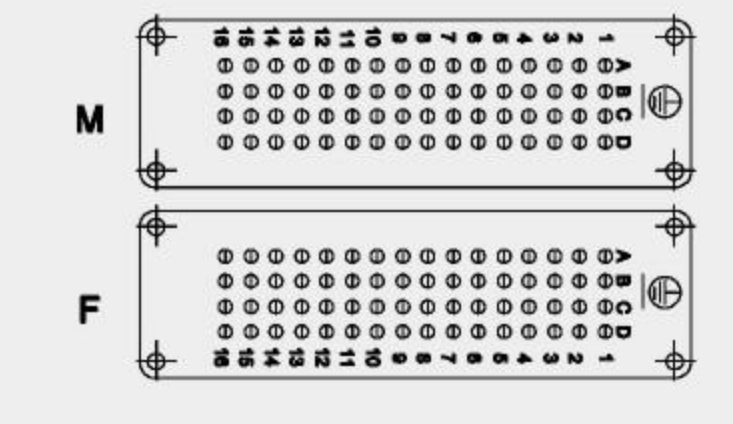
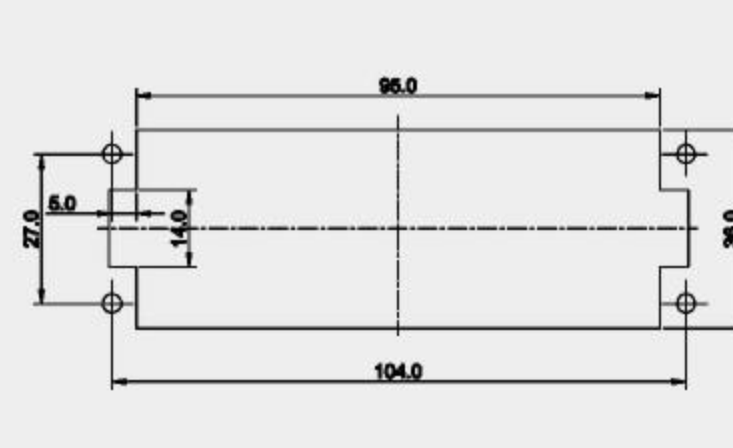
外壳尺寸/Shell size: 匹配32A外壳, 请参考P45-P46(Match 32A case, refer to P45-P46)

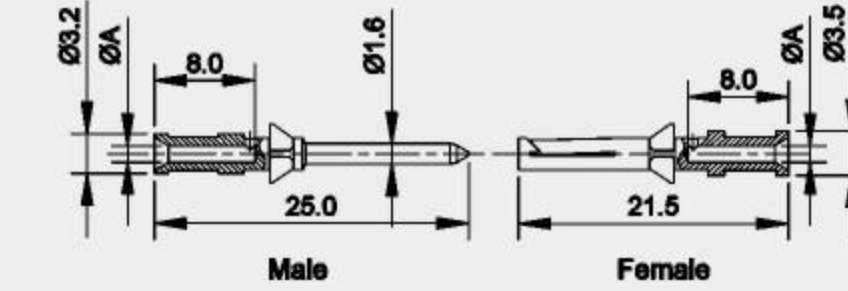



连接方式 Connection mode	插芯 Inserts	型号 Model	订货号 Order No.	图纸 Drawing
冷压连接 Crimp terminal	公 Male	SD-050	SD-050-MC	<p>插体之间最大距离24mm Distance for contact max.24mm</p>  <p>接插针排序 Contacts arrangement view for termination side</p>  <p>面板安装开孔图 panel cut out for use without Hoods/housings</p> 
	母 Female		SD-050-FC	

附件 Accessories					插针图纸 Contacts drawing			
10A冷压针(接触电阻≤3mΩ) 10A cold pressing needle (contact resistance ≤ 3m Ω)								
插针 Contacts	镀银 Silver-plated		镀金 Gold-plated		线规 Wire gauge (mm ²) (AWG)	剥线长度 Strip length (mm)	线规 Wire gauge (mm ²) (AWG)	剥线长度 Strip length (mm)
	订货号 (公) (Part Number)	订货号 (母) (Part Number)	订货号 (公) (Part Number)	订货号 (母) (Part Number)				
	SCSM-010-0.37	SCSF-010-0.37	SCGM-010-0.37	SCGF-010-0.37	0.9	0.14-0.37	26-22	8.0mm
	SCSM-010-0.5	SCSF-010-0.5	SCGM-010-0.5	SCGF-010-0.5	1.1	0.5	20	8.0mm
	SCSM-010-0.75	SCSF-010-0.75	SCGM-010-0.75	SCGF-010-0.75	1.3	0.75	18	8.0mm
	SCSM-010-1.0	SCSF-010-1.0	SCGM-010-1.0	SCGF-010-1.0	1.45	1	18	8.0mm
	SCSM-010-1.5	SCSF-010-1.5	SCGM-010-1.5	SCGF-010-1.5	1.75	1.5	16	8.0mm
	SCSM-010-2.5	SCSF-010-2.5	SCGM-010-2.5	SCSF-010-2.5	2.25	2.5	14	6.0mm
	工具 Tools							
冷压钳 (Crimping tool)					退针器 (Removal tool)			
								
订货号Order No : SL-4.0					订货号Order No : ST-10A			
压接线径The diameter of the crimping wire : 0.5-4.0mm ² (AWG 20-12)					适用于For : 10A冷压针(10A cold pressing needle)			

SD-064 超高密度型插芯 Utar-high density Inserts 250V 10A 64+ 

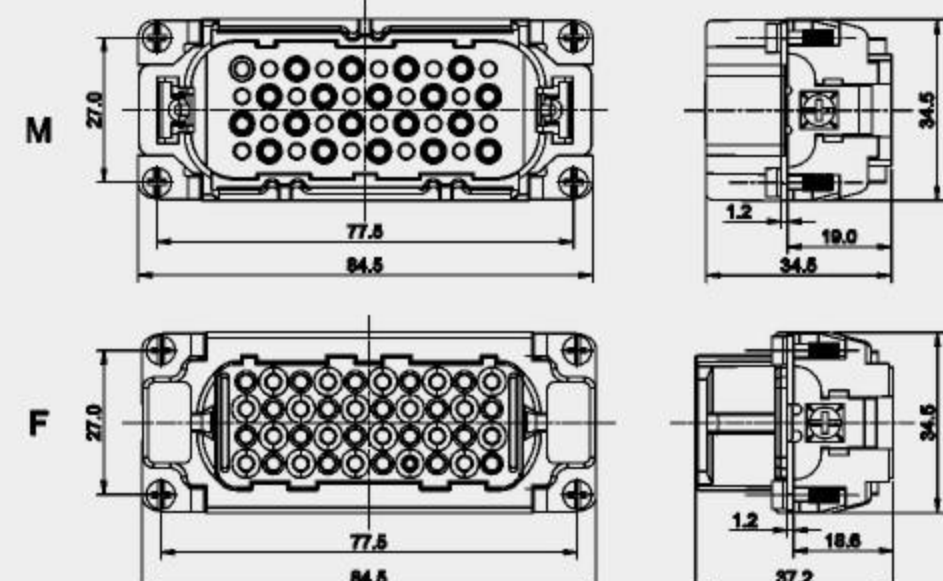
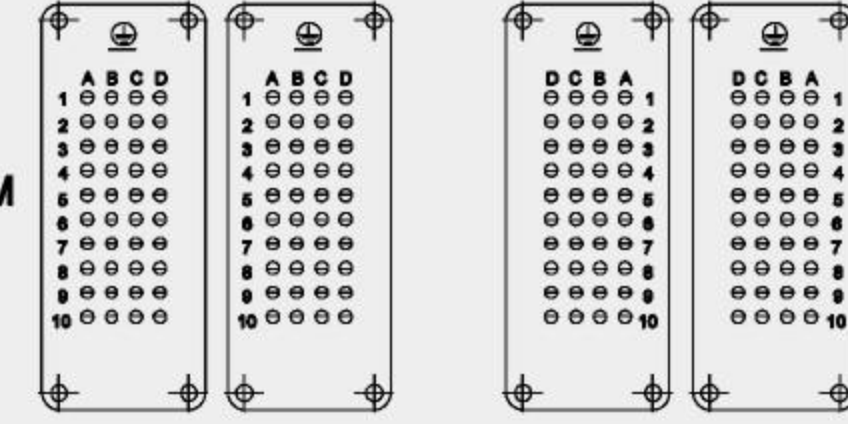
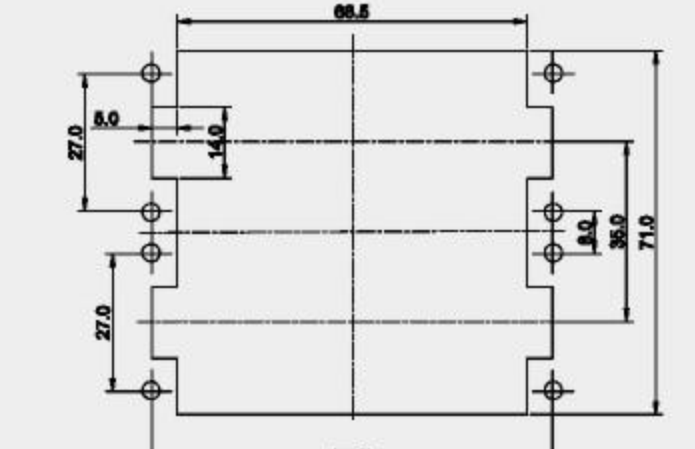
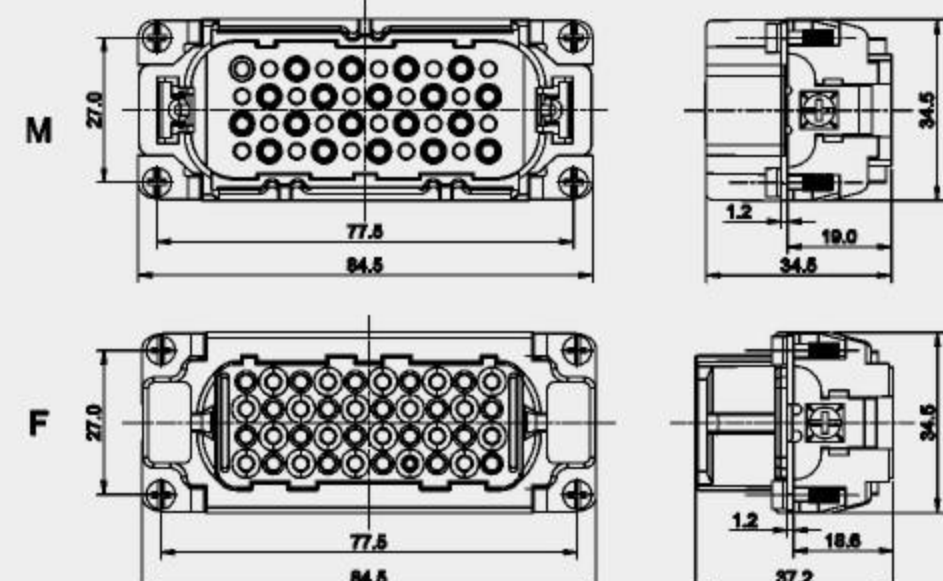
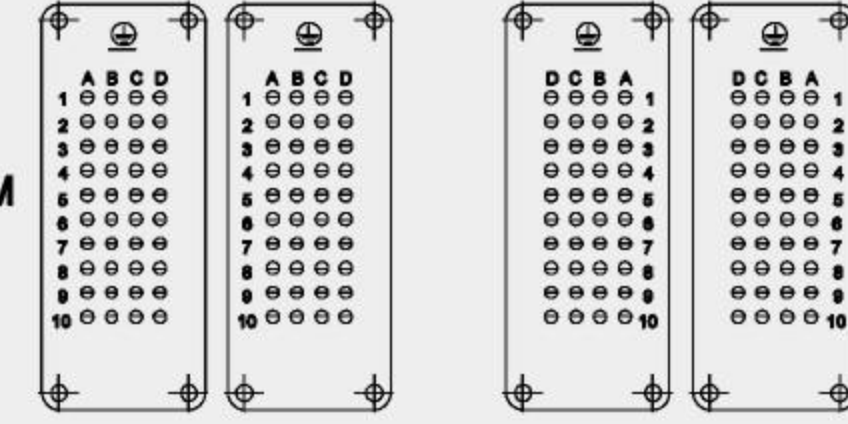
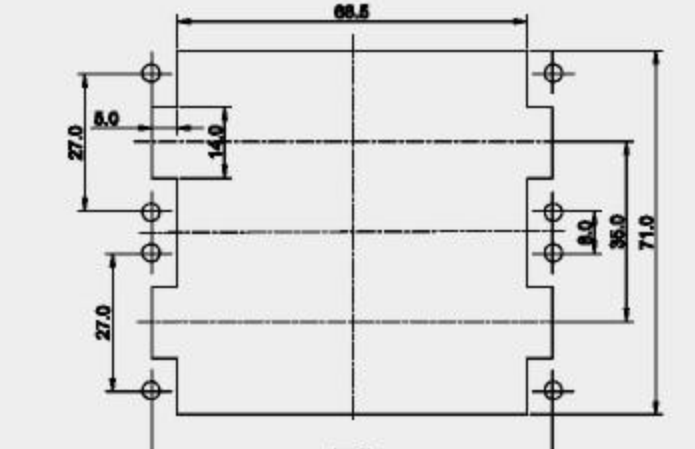
外壳尺寸/Shell size: 匹配24B外壳, 请参考P61-P66(Match 24B case, refer to P61-P66)

连接方式 Connection mode	插芯 Inserts	型号 Model	订货号 Order No.	图纸 Drawing
冷压连接 Crimp terminal	公 Male	SD-064	SD-064-MC	<p>插体之间最大距离24mm Distance for contact max.24mm</p>  <p>接插针排序 Contacts arrangement view for termination side</p>  <p>面板安装开孔图 panel cut out for use without Hoods/housings</p> 
	母 Female		SD-064-FC	

附件 Accessories					插针图纸 Contacts drawing			
10A冷压针(接触电阻≤3mΩ) 10A cold pressing needle (contact resistance ≤ 3m Ω)								
插针 Contacts	镀银 Silver-plated		镀金 Gold-plated		线规 Wire gauge (mm ²) (AWG)	剥线长度 Strip length (mm)	线规 Wire gauge (mm ²) (AWG)	剥线长度 Strip length (mm)
	订货号 (公) (Part Number)	订货号 (母) (Part Number)	订货号 (公) (Part Number)	订货号 (母) (Part Number)				
	SCSM-010-0.37	SCSF-010-0.37	SCGM-010-0.37	SCGF-010-0.37	0.9	0.14-0.37	26-22	8.0mm
	SCSM-010-0.5	SCSF-010-0.5	SCGM-010-0.5	SCGF-010-0.5	1.1	0.5	20	8.0mm
	SCSM-010-0.75	SCSF-010-0.75	SCGM-010-0.75	SCGF-010-0.75	1.3	0.75	18	8.0mm
	SCSM-010-1.0	SCSF-010-1.0	SCGM-010-1.0	SCGF-010-1.0	1.45	1	18	8.0mm
	SCSM-010-1.5	SCSF-010-1.5	SCGM-010-1.5	SCGF-010-1.5	1.75	1.5	16	8.0mm
	SCSM-010-2.5	SCSF-010-2.5	SCGM-010-2.5	SCSF-010-2.5	2.25	2.5	14	6.0mm
	工具 Tools							
冷压钳 (Crimping tool)					退针器 (Removal tool)			
								
订货号Order No : SL-4.0					订货号Order No : ST-10A			
压接线径The diameter of the crimping wire : 0.5-4.0mm ² (AWG 20-12)					适用于For : 10A冷压针(10A cold pressing needle)			

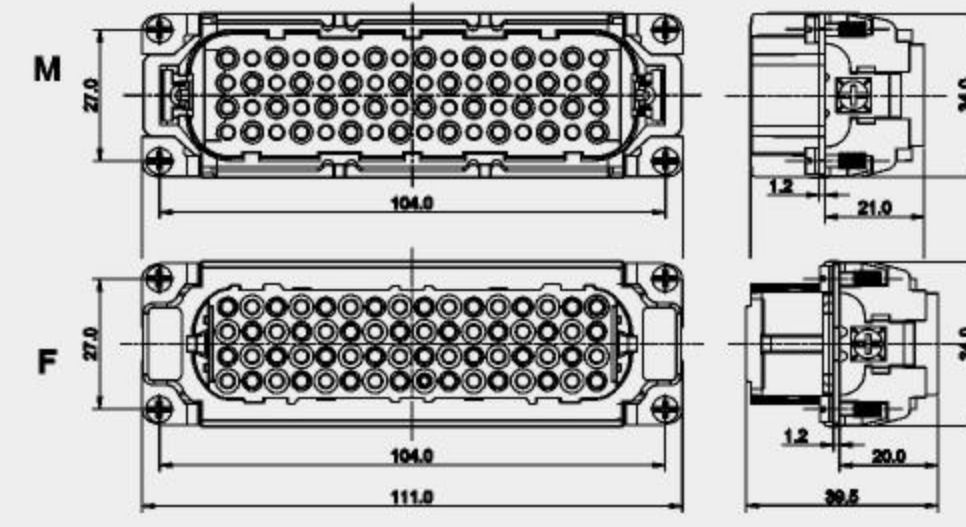
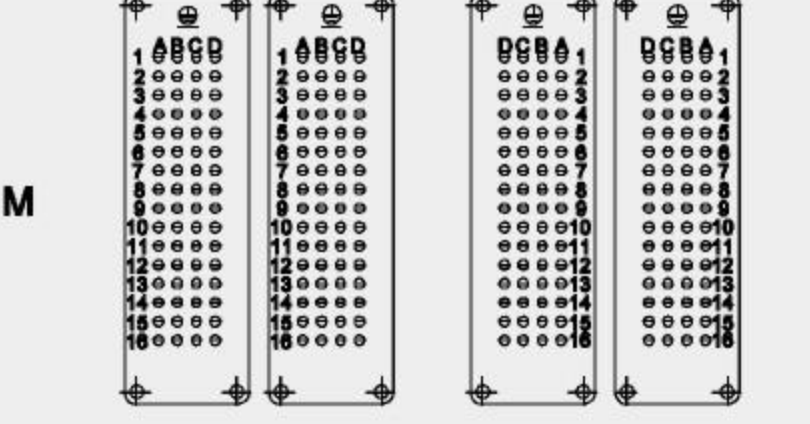
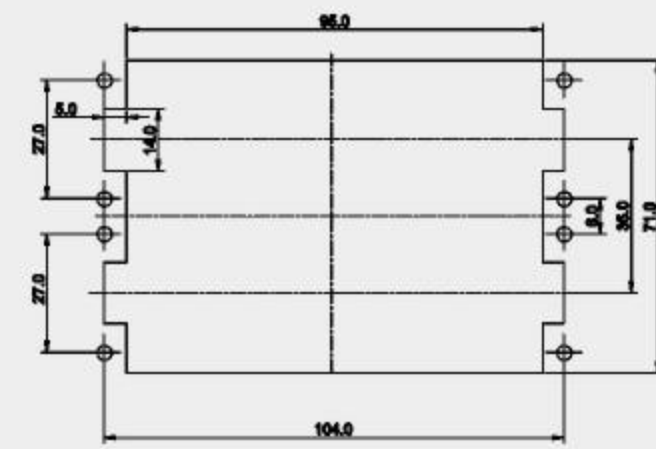
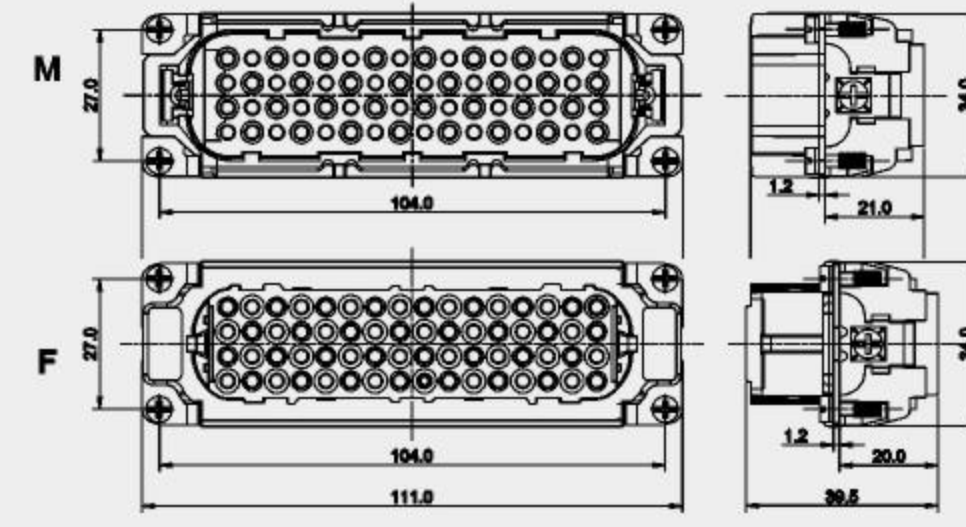
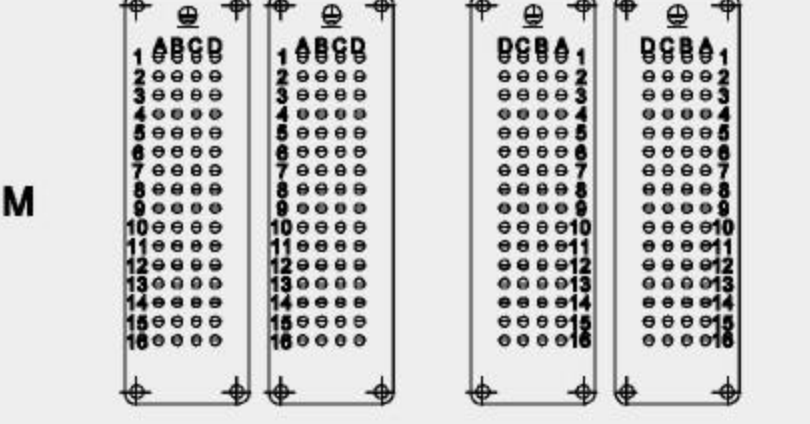
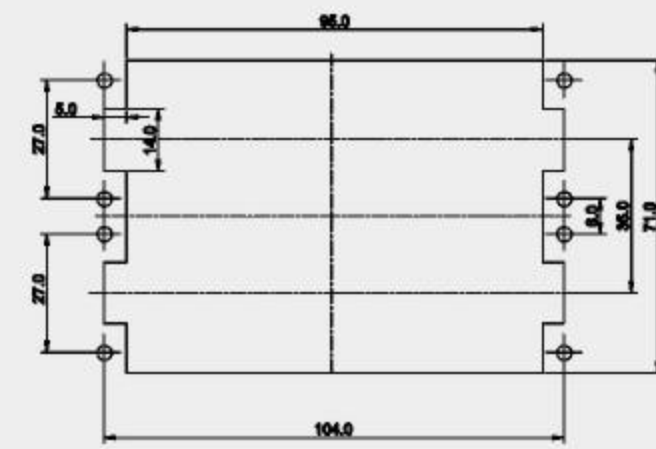
SD-080 超高密度型插芯 Utar-high density Inserts 250V 10A 80+ 

外壳尺寸/Shell size: 匹配32B外壳, 请参考P67-P68(Match 32B case, refer to P67-P68)

连接方式 Connection mode	插芯 Inserts	型号 Model	订货号 Order No.	图纸 Drawing
冷压连接 Crimp terminal	公 Male	SD-080	SD-080-MC	<p>插体之间最大距离24mm Distance for contact max.24mm</p>  <p>接插针排序 Contacts arrangement view for termination side</p>  <p>面板安装开孔图 panel cut out for use without Hoods/housings</p> 
	母 Female		SD-080-FC	<p>插体之间最大距离24mm Distance for contact max.24mm</p>  <p>接插针排序 Contacts arrangement view for termination side</p>  <p>面板安装开孔图 panel cut out for use without Hoods/housings</p> 

SD-128 超高密度型插芯 Utar-high density Inserts 250V 10A 128+ 

外壳尺寸/Shell size: 匹配48B外壳, 请参考P69(Match 48B case, refer to P69)

连接方式 Connection mode	插芯 Inserts	型号 Model	订货号 Order No.	图纸 Drawing
冷压连接 Crimp terminal	公 Male	SD-128	SD-128-MC	<p>插体之间最大距离24mm Distance for contact max.24mm</p>  <p>接插针排序 Contacts arrangement view for termination side</p>  <p>面板安装开孔图 panel cut out for use without Hoods/housings</p> 
	母 Female		SD-128-FC	<p>插体之间最大距离24mm Distance for contact max.24mm</p>  <p>接插针排序 Contacts arrangement view for termination side</p>  <p>面板安装开孔图 panel cut out for use without Hoods/housings</p> 

附件 Accessories				插针图纸 Contacts drawing				
10A冷压针(接触电阻≤3mΩ) 10A cold pressing needle (contact resistance ≤ 3mΩ)								
插针 Contacts	镀银 Silver-plated		镀金 Gold-plated		线规 Wire gauge (mm ²) (AWG)	剥线长度 Strip length (mm)		
	订货号 (公) (Part Number)	订货号 (母) (Part Number)	订货号 (公) (Part Number)	订货号 (母) (Part Number)				
	SCSM-010-0.37	SCSF-010-0.37	SCGM-010-0.37	SCGF-010-0.37	0.9	0.14-0.37	26-22	8.0mm
	SCSM-010-0.5	SCSF-010-0.5	SCGM-010-0.5	SCGF-010-0.5	1.1	0.5	20	8.0mm
	SCSM-010-0.75	SCSF-010-0.75	SCGM-010-0.75	SCGF-010-0.75	1.3	0.75	18	8.0mm
	SCSM-010-1.0	SCSF-010-1.0	SCGM-010-1.0	SCGF-010-1.0	1.45	1	18	8.0mm
	SCSM-010-1.5	SCSF-010-1.5	SCGM-010-1.5	SCGF-010-1.5	1.75	1.5	16	8.0mm
	SCSM-010-2.5	SCSF-010-2.5	SCGM-010-2.5	SCSF-010-2.5	2.25	2.5	14	6.0mm

工具 Tools	
<p>冷压钳 (Crimping tool)</p>  <p>订货号Order No : SL-4.0</p> <p>压接线径The diameter of the crimping wire : 0.5-4.0mm² (AWG 20-12)</p>	<p>退针器 (Removal tool)</p>  <p>订货号Order No : ST-10A</p> <p>适用于For : 10A冷压针(10A cold pressing needle)</p>

附件 Accessories				插针图纸 Contacts drawing				
10A冷压针(接触电阻≤3mΩ) 10A cold pressing needle (contact resistance ≤ 3mΩ)								
插针 Contacts	镀银 Silver-plated		镀金 Gold-plated		线规 Wire gauge (mm ²) (AWG)	剥线长度 Strip length (mm)		
	订货号 (公) (Part Number)	订货号 (母) (Part Number)	订货号 (公) (Part Number)	订货号 (母) (Part Number)				
	SCSM-010-0.37	SCSF-010-0.37	SCGM-010-0.37	SCGF-010-0.37	0.9	0.14-0.37	26-22	8.0mm
	SCSM-010-0.5	SCSF-010-0.5	SCGM-010-0.5	SCGF-010-0.5	1.1	0.5	20	8.0mm
	SCSM-010-0.75	SCSF-010-0.75	SCGM-010-0.75	SCGF-010-0.75	1.3	0.75	18	8.0mm
	SCSM-010-1.0	SCSF-010-1.0	SCGM-010-1.0	SCGF-010-1.0	1.45	1	18	8.0mm
	SCSM-010-1.5	SCSF-010-1.5	SCGM-010-1.5	SCGF-010-1.5	1.75	1.5	16	8.0mm
	SCSM-010-2.5	SCSF-010-2.5	SCGM-010-2.5	SCSF-010-2.5	2.25	2.5	14	6.0mm

工具 Tools	
<p>冷压钳 (Crimping tool)</p>  <p>订货号Order No : SL-4.0</p> <p>压接线径The diameter of the crimping wire : 0.5-4.0mm² (AWG 20-12)</p> <p>订货号Order No. : XXX</p>	<p>退针器 (Removal tool)</p>  <p>订货号Order No : ST-10A</p> <p>适用于For : 10A冷压针(10A cold pressing needle)</p> <p>订货号Order No. : XXX</p>

技术参数 Technical characteristics

规范/Specifications	DIN EN60664
	DIN EN61984

插芯 Inserts

接插件针数/Number of Contacts	24,42,72,108,144(2x72),216(2x108)+PE
依照DEN EN 61984的额定电压/Rated voltage according to den DEN EN 61984	
额定电流/Rated Current	10A
额定电压/Rated Voltage	250V
额定脉冲电压/Rated Impulse voltage	4KV
污染程度/Pollution Degree	3
污染等级2时的参数/Pollution Degree 2 Also	10A 230/400V 4KV 2
依据UL/CSA额定电压/Rated Voltage Acc.to UL / CSA	600V
材料/Material	聚碳酸酯/Polycarbonate
绝缘电阻/Insulation Resistance	≥10 ¹⁰ Ω
工作温度范围/Limiting Temperatures	-40℃ ~ +125℃
阻燃等级/Flammability Acc.to UL94	V0
可拔插次数/Mechanical Working Life-mating Cycles	≥500

插针 Contacts

材料/Material	铜合金/Copper Alloy
表面处理/Surface	镀金/Hard-gold Plated
	镀银/Hard-silver Plated
接触电阻/Contact Resistance	≤3mΩ

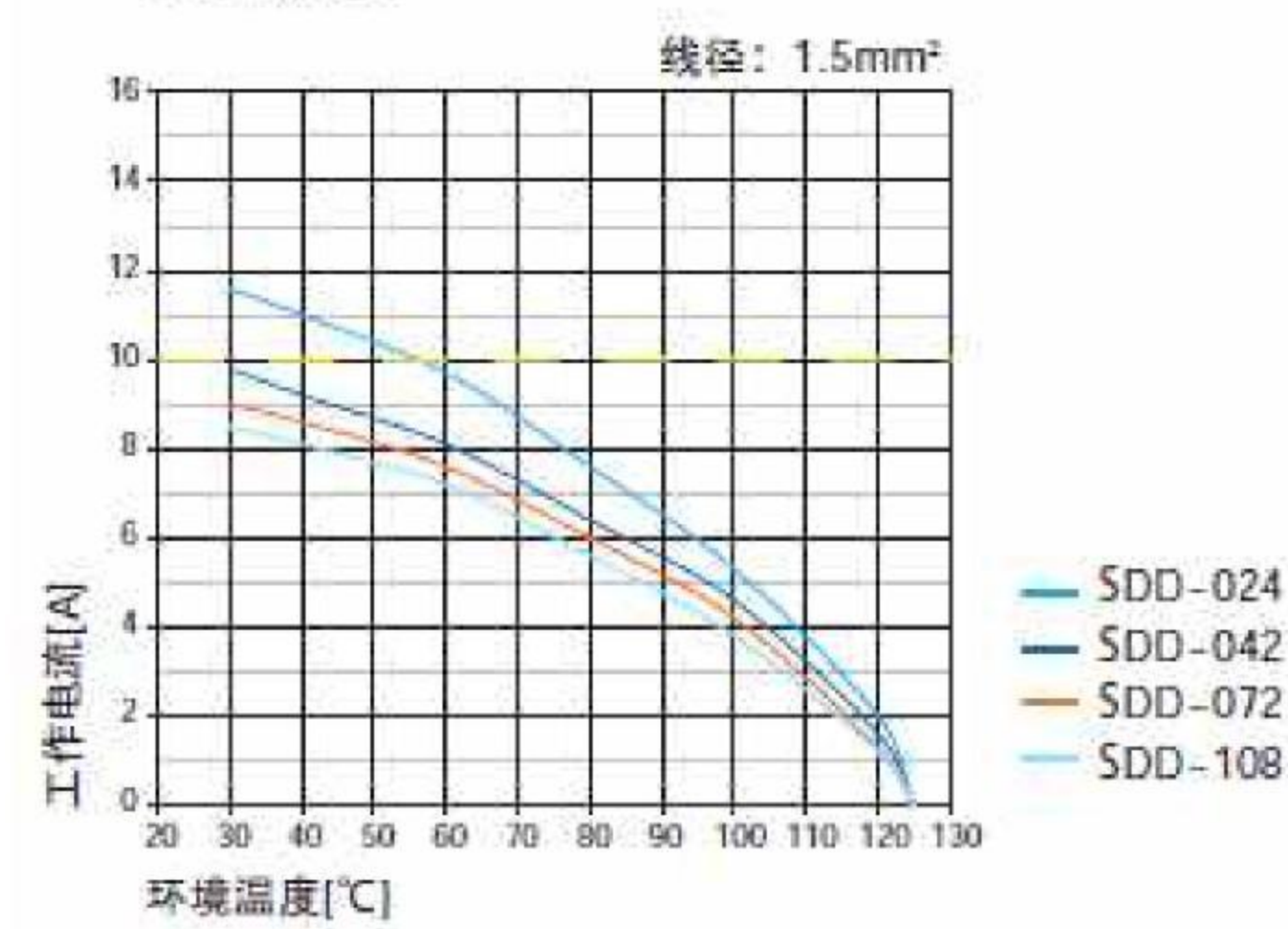
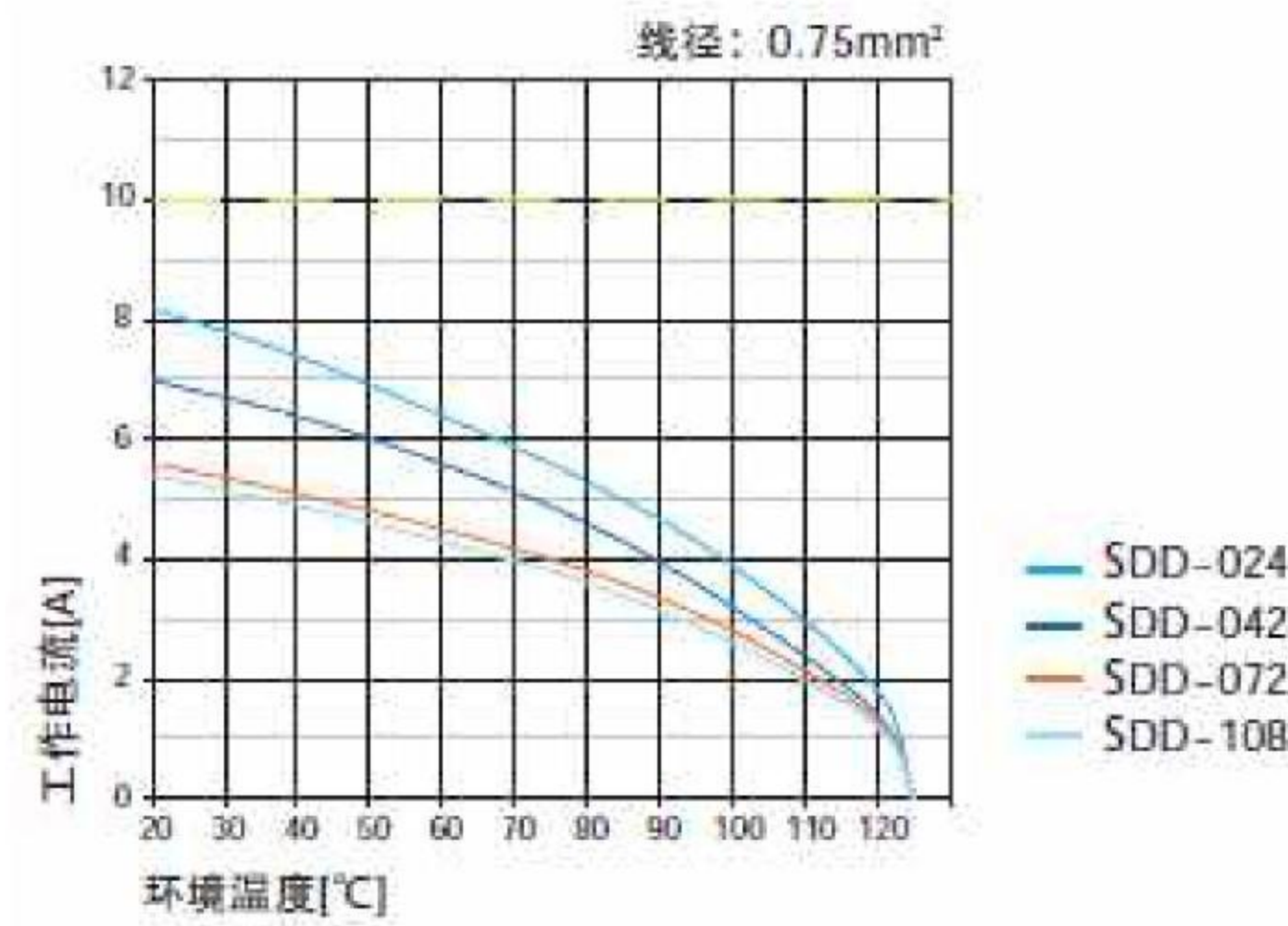
接线方式 Connection type

冷压连接 / Crimp terminal	
导线规格/Wire Gauge	0.14-2.5mm ²
AWG	26-14

电流负载能力/Current load capacity

电流负载能力所受的限制主要来自包含接插针的接插体可承受的最大温度。
The limitation of current load capacity mainly comes from the plug-in body with pinMaximum temperature.

测试和控制过程依据DIN EN 60512-5
Test and control process according to DIN EN 60512-5



SDD-024 超高密度型插芯 Utar-high density Inserts 250V 10A 24+

外壳尺寸/Shell size: 匹配6B外壳, 请参考P47-P48(Match 6B case, refer to P47-P48)

连接方式 Connection mode	插芯 Inserts	型号 Model	订货号 Order No.	图纸 Drawing
冷压连接 Crimp terminal	公 Male	SDD-024	SDD-024-MC	接插体之间的最大距离21mm Distance for contact max.21mm
	母 Female		SDD-024-FC	接插针排序 Contacts arrangement view for termination side 面板安装开孔图 panel cut out for use without Hoods/housings

附件 Accessories

10A冷压针(接触电阻≤3mΩ)
10A cold pressing needle (contact resistance ≤ 3m Ω)

插针 Contacts	镀银 Silver-plated		镀金 Gold-plated		线规 Wire gauge (∅A)	剥线长度 Strip length (mm)
	订货号 (公) (Part Number)	订货号 (母) (Part Number)	订货号 (公) (Part Number)	订货号 (母) (Part Number)		
	SCSM-010-0.37	SCSF-010-0.37	SCGM-010-0.37	SCGF-010-0.37	0.9	8.0mm
	SCSM-010-0.5	SCSF-010-0.5	SCGM-010-0.5	SCGF-010-0.5	1.1	8.0mm
	SCSM-010-0.75	SCSF-010-0.75	SCGM-010-0.75	SCGF-010-0.75	1.3	8.0mm
	SCSM-010-1.0	SCSF-010-1.0	SCGM-010-1.0	SCGF-010-1.0	1.45	8.0mm
	SCSM-010-1.5	SCSF-010-1.5	SCGM-010-1.5	SCGF-010-1.5	1.75	8.0mm
	SCSM-010-2.5	SCSF-010-2.5	SCGM-010-2.5	SCSF-010-2.5	2.25	6.0mm

工具 Tools

冷压钳 (Crimping tool)	退针器 (Removal tool)
订货号Order No : SL-4.0	订货号Order No : ST-10A
压接线径The diameter of the crimping wire : 0.5-4.0mm ² (AWG 20-12)	适用于For : 10A冷压针(10A cold pressing needle)

SDD-042 超高密度型插芯 Utar-high density Inserts 250V 10A 42+

外壳尺寸/Shell size: 匹配10B外壳, 请参考P49-P54(Match 10B case, refer to P49-P54)

连接方式 Connection mode	插芯 Inserts	型号 Model	订货号 Order No.	图纸 Drawing
冷压连接 Crimp terminal	公 Male	SDD-042	SDD-042-MC	<p>接插体之间的最大距离21mm Distance for contact max.21mm</p>
	母 Female		SDD-042-FC	<p>接插针排序 Contacts arrangement view for termination side</p> <p>面板安装开孔图 panel cut out for use without Hoods/housings</p>

附件 Accessories					插针图纸 Contacts drawing			
10A冷压针(接触电阻≤3mΩ) 10A cold pressing needle (contact resistance ≤ 3m Ω)								
插针 Contacts	镀银 Silver-plated		镀金 Gold-plated		线规 Wire gauge (mm ²)	剥线长度 Strip length (mm)	线规 Wire gauge (AWG)	剥线长度 Strip length (mm)
	订货号 (公) (Part Number)	订货号 (母) (Part Number)	订货号 (公) (Part Number)	订货号 (母) (Part Number)				
	SCSM-010-0.37	SCSF-010-0.37	SCGM-010-0.37	SCGF-010-0.37	0.9	0.14-0.37	26-22	8.0mm
	SCSM-010-0.5	SCSF-010-0.5	SCGM-010-0.5	SCGF-010-0.5	1.1	0.5	20	8.0mm
	SCSM-010-0.75	SCSF-010-0.75	SCGM-010-0.75	SCGF-010-0.75	1.3	0.75	18	8.0mm
	SCSM-010-1.0	SCSF-010-1.0	SCGM-010-1.0	SCGF-010-1.0	1.45	1	18	8.0mm
	SCSM-010-1.5	SCSF-010-1.5	SCGM-010-1.5	SCGF-010-1.5	1.75	1.5	16	8.0mm
	SCSM-010-2.5	SCSF-010-2.5	SCGM-010-2.5	SCSF-010-2.5	2.25	2.5	14	6.0mm

工具 Tools	
<p>冷压钳 (Crimping tool)</p> <p>订货号Order No : SL-4.0</p> <p>压接导线 The diameter of the crimping wire : 0.5-4.0mm² (AWG 20-12)</p>	<p>退针器 (Removal tool)</p> <p>订货号Order No : ST-10A</p> <p>适用于For : 10A冷压针(10A cold pressing needle)</p>

SDD-072 超高密度型插芯 Utar-high density Inserts 250V 10A 72+

外壳尺寸/Shell size: 匹配16B外壳, 请参考P55-P60(Match 16B case, refer to P55-P60)

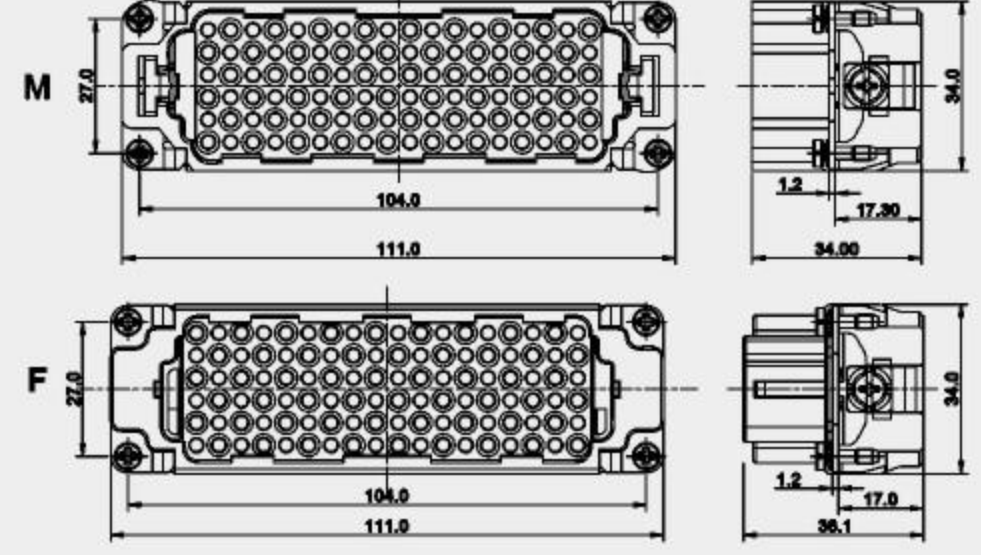
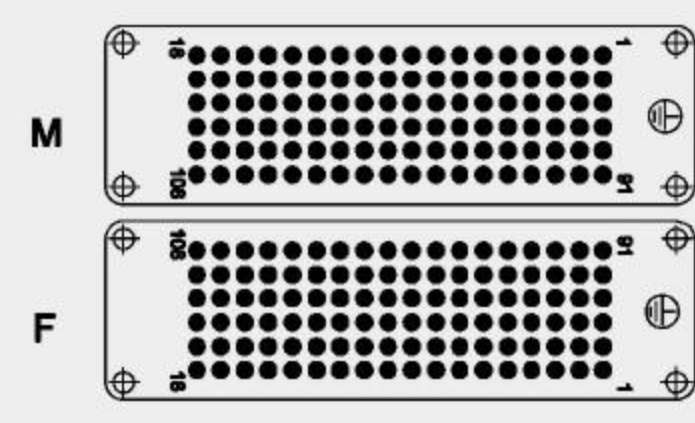
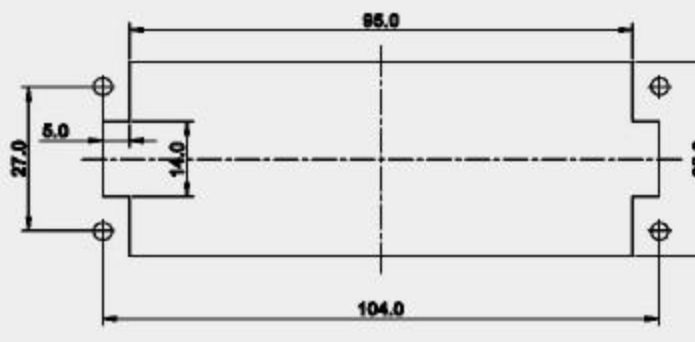
连接方式 Connection mode	插芯 Inserts	型号 Model	订货号 Order No.	图纸 Drawing
冷压连接 Crimp terminal	公 Male	SDD-072	SDD-072-MC	<p>接插体之间的最大距离21mm Distance for contact max.21mm</p>
	母 Female		SDD-072-FC	<p>接插针排序 Contacts arrangement view for termination side</p> <p>面板安装开孔图 panel cut out for use without Hoods/housings</p>

附件 Accessories					插针图纸 Contacts drawing			
10A冷压针(接触电阻≤3mΩ) 10A cold pressing needle (contact resistance ≤ 3m Ω)								
插针 Contacts	镀银 Silver-plated		镀金 Gold-plated		线规 Wire gauge (mm ²)	剥线长度 Strip length (mm)	线规 Wire gauge (AWG)	剥线长度 Strip length (mm)
	订货号 (公) (Part Number)	订货号 (母) (Part Number)	订货号 (公) (Part Number)	订货号 (母) (Part Number)				
	SCSM-010-0.37	SCSF-010-0.37	SCGM-010-0.37	SCGF-010-0.37	0.9	0.14-0.37	26-22	8.0mm
	SCSM-010-0.5	SCSF-010-0.5	SCGM-010-0.5	SCGF-010-0.5	1.1	0.5	20	8.0mm
	SCSM-010-0.75	SCSF-010-0.75	SCGM-010-0.75	SCGF-010-0.75	1.3	0.75	18	8.0mm
	SCSM-010-1.0	SCSF-010-1.0	SCGM-010-1.0	SCGF-010-1.0	1.45	1	18	8.0mm
	SCSM-010-1.5	SCSF-010-1.5	SCGM-010-1.5	SCGF-010-1.5	1.75	1.5	16	8.0mm
	SCSM-010-2.5	SCSF-010-2.5	SCGM-010-2.5	SCSF-010-2.5	2.25	2.5	14	6.0mm

工具 Tools	
<p>冷压钳 (Crimping tool)</p> <p>订货号Order No : SL-4.0</p> <p>压接导线 The diameter of the crimping wire : 0.5-4.0mm² (AWG 20-12)</p>	<p>退针器 (Removal tool)</p> <p>订货号Order No : ST-10A</p> <p>适用于For : 10A冷压针(10A cold pressing needle)</p>

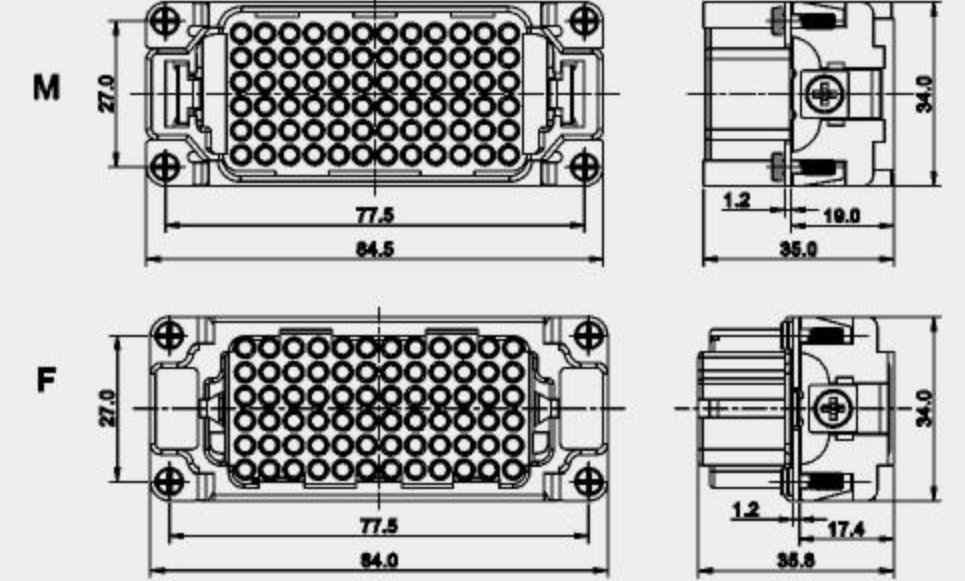
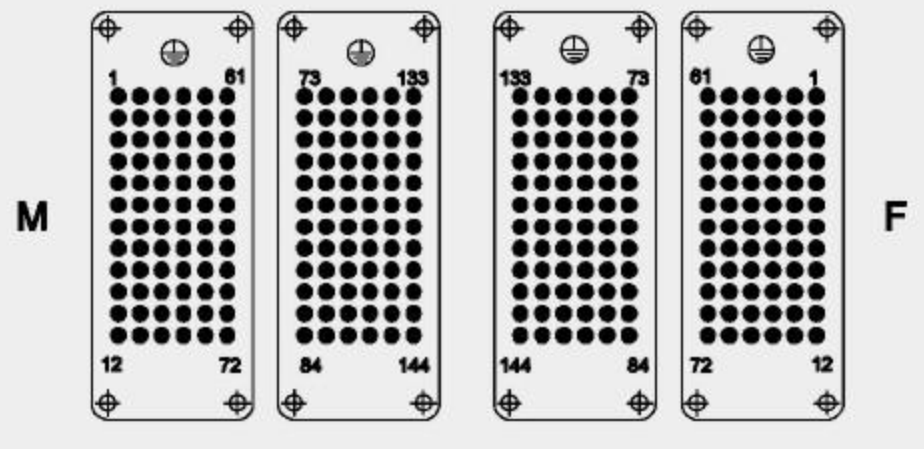
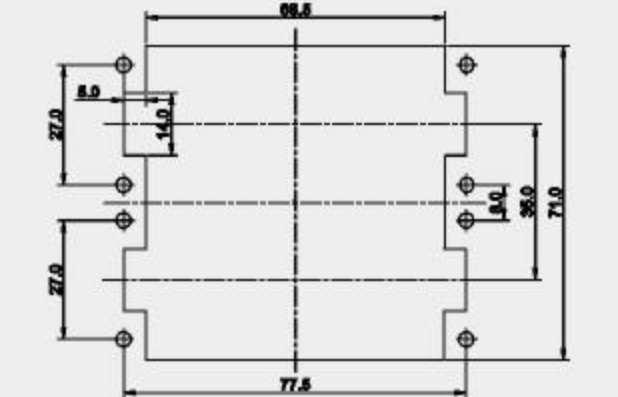
SDD-108 超高密度型插芯 Utar-high density Inserts 250V 10A 108+

外壳尺寸/Shell size: 匹配24B外壳, 请参考P61-P66(Match 24B case, refer to P61-P66)

连接方式 Connection mode	插芯 Inserts	型号 Model	订货号 Order No.	图纸 Drawing
冷压连接 Crimp terminal	公 Male	SDD-108	SDD-108-MC	<p>接插体之间的最大距离21mm Distance for contact max.21mm</p> 
	母 Female		SDD-108-FC	<p>接插针排序 Contacts arrangement view for termination side</p>  <p>面板安装开孔图 panel cut out for use without Hoods/housings</p> 

SDD-144 超高密度型插芯 Utar-high density Inserts 250V 10A 144+

外壳尺寸/Shell size: 匹配32B外壳, 请参考P67-P68(Match 32B case, refer to P67-P68)

连接方式 Connection mode	插芯 Inserts	型号 Model	订货号 Order No.	图纸 Drawing
冷压连接 Crimp terminal	公 Male	SDD-144	SDD-144-MC	<p>接插体之间的最大距离21mm Distance for contact max.21mm</p> 
	母 Female		SDD-144-FC	<p>接插针排序 Contacts arrangement view for termination side</p>  <p>面板安装开孔图 panel cut out for use without Hoods/housings</p> 

附件 Accessories					插针图纸 Contacts drawing			
10A冷压针(接触电阻≤3mΩ) 10A cold pressing needle (contact resistance ≤ 3mΩ)								
插针 Contacts	镀银 Silver-plated		镀金 Gold-plated		线规 Wire gauge (∅A)	剥线长度 Strip length (mm)		
	订货号 (公) (Part Number)	订货号 (母) (Part Number)	订货号 (公) (Part Number)	订货号 (母) (Part Number)			(mm ²)	(AWG)
	SCSM-010-0.37	SCSF-010-0.37	SCGM-010-0.37	SCGF-010-0.37	0.9	0.14-0.37	26-22	8.0mm
	SCSM-010-0.5	SCSF-010-0.5	SCGM-010-0.5	SCGF-010-0.5	1.1	0.5	20	8.0mm
	SCSM-010-0.75	SCSF-010-0.75	SCGM-010-0.75	SCGF-010-0.75	1.3	0.75	18	8.0mm
	SCSM-010-1.0	SCSF-010-1.0	SCGM-010-1.0	SCGF-010-1.0	1.45	1	18	8.0mm
	SCSM-010-1.5	SCSF-010-1.5	SCGM-010-1.5	SCGF-010-1.5	1.75	1.5	16	8.0mm
	SCSM-010-2.5	SCSF-010-2.5	SCGM-010-2.5	SCSF-010-2.5	2.25	2.5	14	6.0mm

工具 Tools	
冷压钳 (Crimping tool)  订货号Order No : SL-4.0 压接线径The diameter of the crimping wire : 0.5-4.0mm ² (AWG 20-12)	退针器 (Removal tool)  订货号Order No : ST-10A 适用于For : 10A冷压针(10A cold pressing needle)

附件 Accessories					插针图纸 Contacts drawing			
10A冷压针(接触电阻≤3mΩ) 10A cold pressing needle (contact resistance ≤ 3mΩ)								
插针 Contacts	镀银 Silver-plated		镀金 Gold-plated		线规 Wire gauge (∅A)	剥线长度 Strip length (mm)		
	订货号 (公) (Part Number)	订货号 (母) (Part Number)	订货号 (公) (Part Number)	订货号 (母) (Part Number)			(mm ²)	(AWG)
	SCSM-010-0.37	SCSF-010-0.37	SCGM-010-0.37	SCGF-010-0.37	0.9	0.14-0.37	26-22	8.0mm
	SCSM-010-0.5	SCSF-010-0.5	SCGM-010-0.5	SCGF-010-0.5	1.1	0.5	20	8.0mm
	SCSM-010-0.75	SCSF-010-0.75	SCGM-010-0.75	SCGF-010-0.75	1.3	0.75	18	8.0mm
	SCSM-010-1.0	SCSF-010-1.0	SCGM-010-1.0	SCGF-010-1.0	1.45	1	18	8.0mm
	SCSM-010-1.5	SCSF-010-1.5	SCGM-010-1.5	SCGF-010-1.5	1.75	1.5	16	8.0mm
	SCSM-010-2.5	SCSF-010-2.5	SCGM-010-2.5	SCSF-010-2.5	2.25	2.5	14	6.0mm

工具 Tools	
冷压钳 (Crimping tool)  订货号Order No : SL-4.0 压接线径The diameter of the crimping wire : 0.5-4.0mm ² (AWG 20-12)	退针器 (Removal tool)  订货号Order No : ST-10A 适用于For : 10A冷压针(10A cold pressing needle)

SDD-216 超高密度型插芯 Utar-high density Inserts 250V 10A 216+

外壳尺寸/Shell size: 匹配48B外壳, 请参考P69(Match48B case, refer to P69)

连接方式 Connection mode	插芯 Inserts	型号 Model	订货号 Order No.	图纸 Drawing
冷压连接 Crimp terminal	公 Male	SDD-216	SDD-216-MC	<p>接插体之间的最大距离21mm Distance for contact max.21mm</p> <p>接插针排序 Contacts arrangement view for termination side</p>
	母 Female	SDD-216	SDD-216-FC	<p>面板安装开孔图 panel cut out for use without Hoods/housings</p>

附件 Accessories				插针图纸 Contacts drawing				
10A冷压针(接触电阻≤3mΩ) 10A cold pressing needle (contact resistance ≤ 3mΩ)								
插针 Contacts	镀银 Silver-plated		镀金 Gold-plated		线规 Wire gauge		剥线长度 Strip length	
	订货号 (公) (Part Number)	订货号 (母) (Part Number)	订货号 (公) (Part Number)	订货号 (母) (Part Number)	(∅A)	(mm ²)	(AWG)	(mm)
	SCSM-010-0.37	SCSF-010-0.37	SCGM-010-0.37	SCGF-010-0.37	0.9	0.14-0.37	26-22	8.0mm
	SCSM-010-0.5	SCSF-010-0.5	SCGM-010-0.5	SCGF-010-0.5	1.1	0.5	20	8.0mm
	SCSM-010-0.75	SCSF-010-0.75	SCGM-010-0.75	SCGF-010-0.75	1.3	0.75	18	8.0mm
	SCSM-010-1.0	SCSF-010-1.0	SCGM-010-1.0	SCGF-010-1.0	1.45	1	18	8.0mm
	SCSM-010-1.5	SCSF-010-1.5	SCGM-010-1.5	SCGF-010-1.5	1.75	1.5	16	8.0mm
SCSM-010-2.5	SCSF-010-2.5	SCGM-010-2.5	SCSF-010-2.5	2.25	2.5	14	6.0mm	

工具 Tools	
<p>冷压钳 (Crimping tool)</p> <p>订货号 Order No : SL-4.0</p> <p>压接导线 The diameter of the crimping wire : 0.5-4.0mm² (AWG 20-12)</p>	<p>退针器 (Removal tool)</p> <p>订货号 Order No : ST-10A</p> <p>适用于 For : 10A冷压针(10A cold pressing needle)</p>

S3A塑料外壳 (防护等级: IP65)/S3a plastic shell (protection grade: IP65)

外壳 (Hoods&Housing)	描述(Description)	订货号(Part Number)	螺纹(Thread)	图纸(Drawing)
	上壳 侧出线 (Hoods, side entry)	S3A.P-SE-2B-M20 S3A.P-SE-2B-PG11	M20/PG11	
	上壳 顶出线 (Hoods, top entry)	S3A.P-TE-2B-M20 S3A.P-TE-2B-PG11	M20/PG11	
	下壳 不封底 (Housings, bulkhead mounting)	S3A.P-BM-1L	/	
	下壳 不封底 (Housings, bulkhead mounting)	S3A.P-BM-1L-SE	/	
	下壳 封底 (Housings, surface mounting)	S3A.P-SF-1L-M20 S3A.P-SF-1L-PG11	M20/PG11	
	下壳 电缆对接 (Housings, cable to cable)	S3A.P-CC-1L-M20 S3A.P-CC-1L-PG11	M20/PG11	
	防护盖 (Protection)	S3A-PC-1L/1M (配公芯/For male insert) S3A-PC-1L/1F (配母芯/For female insert)		
	防护盖 (Protection)	S3A-PC-2B/1M (配公芯/For male insert) S3A-PC-2B/2M (配公芯/For male insert) S3A-PC-2B/1F (配母芯/For female insert) S3A-PC-2B/2F (配母芯/For female insert)		


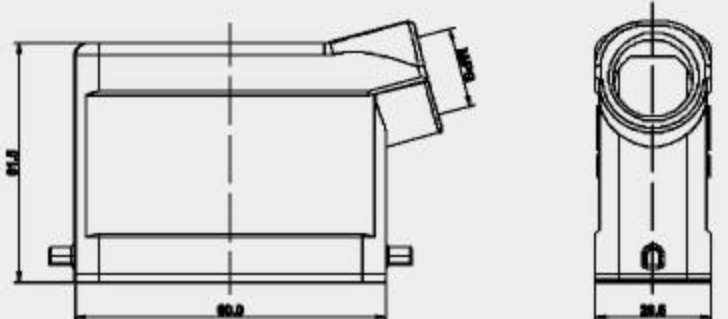

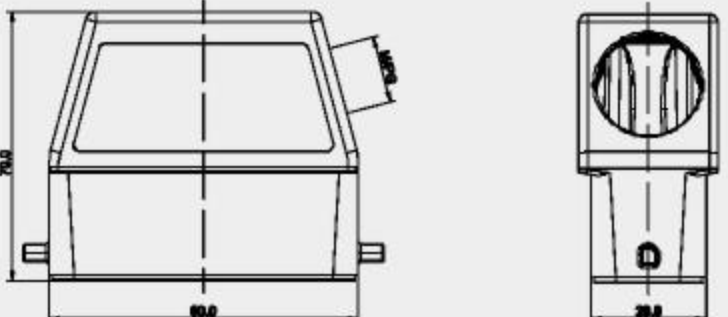

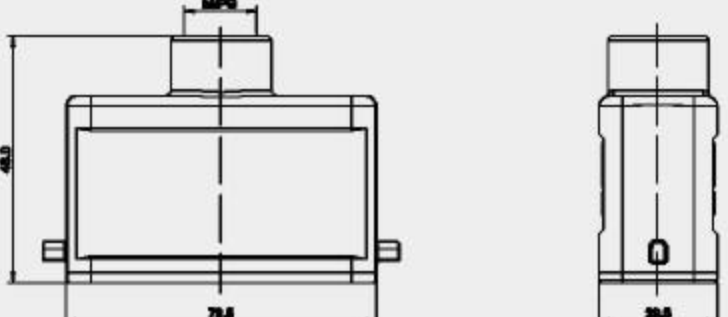

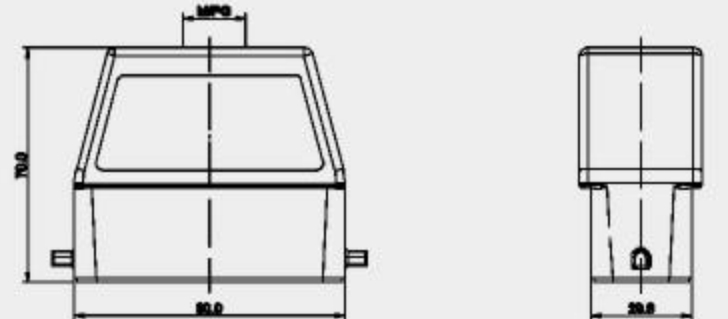

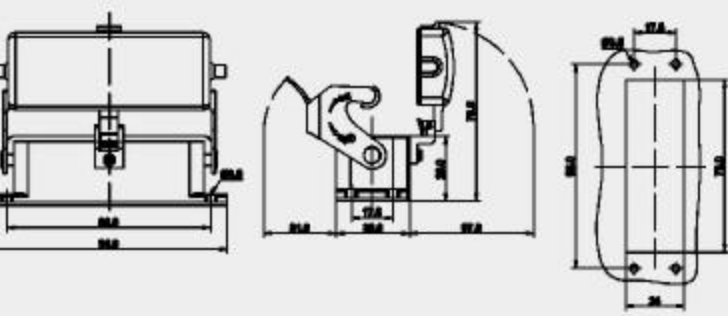

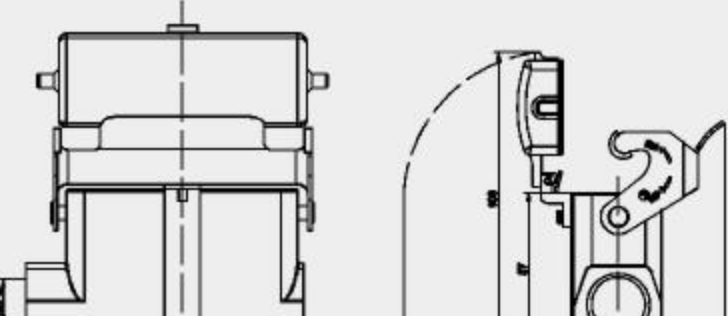

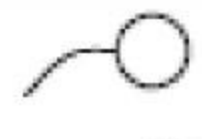
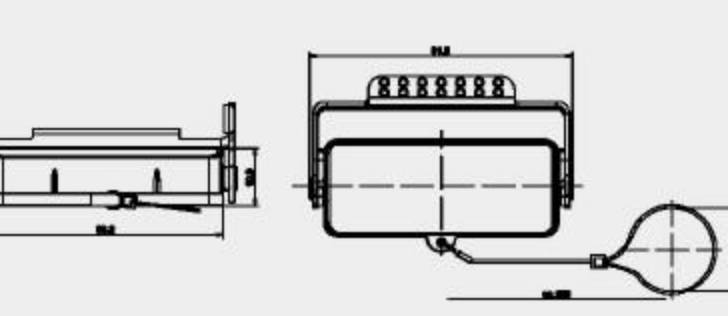

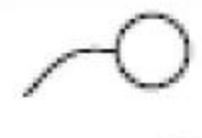
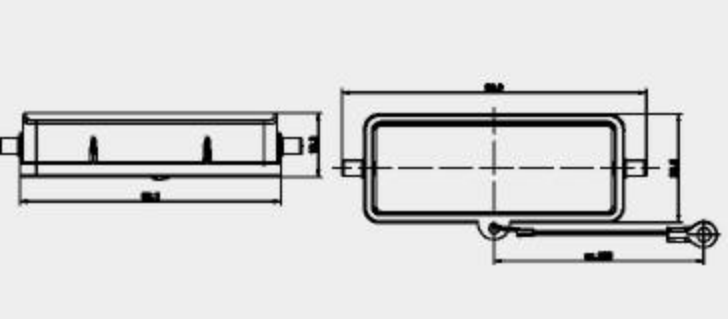
S3A金属外壳 (防护等级: IP65)/S3A metal enclosure (protection grade: IP65)

外壳 (Hoods&Housing)	描述(Description)	订货号(Part Number)	螺纹(Thread)	图纸(Drawing)
	上壳 侧出线 (Hoods,side entry)	S3A-SE-2B-M20 S3A-SE-2B-PG11 S3A-SE-2B-PG13.5	M20 PG11 PG13.5	
	上壳 顶出线 (Hoods,top entry)	S3A-TE-2B-M20 S3A-TE-2B-PG11 S3A-TE-2B-PG13.5	M20 PG11 PG13.5	
	下壳 不封底 (Housings, bulkhead mounting)	S3A-BM-1L.M-PC	/	面板开孔图
	下壳 不封底 (Housings, bulkhead mounting)	S3A-BM1L.M-MC/F S3A-BM1L.M-MC/M	/	面板开孔图
	下壳 封底 (Housings, surface mounting)	S3A-BM-SE-1L.M	/	面板开孔图
	下壳 封底 (Housings, surface mounting)	S3A-SF-1L.M-M20 S3A-SF-1L.M-PG11 S3A-SF-1L.M-PG13.5	M20 PG11 PG13.5	面板开孔图
	下壳 电缆对接 (Housings, cable to cable)	S3A-CC-1L-M20 S3A-CC-1L-PG11 S3A-CC-1L-PG13.5	M20 PG11 PG13.5	
	防护盖 (Protection)	S3A-MC-1L/1M (配公芯/For male insert) S3A-MC-1L/1F (配母芯/For female insert)		
	防护盖 (Protection)	S3A-MC-2B/1M (配公芯/For male insert) S3A-MC-2B/2M (配公芯/For male insert) S3A-MC-2B/1F (配母芯/For female insert) S3A-MC-2B/2F (配母芯/For female insert)		

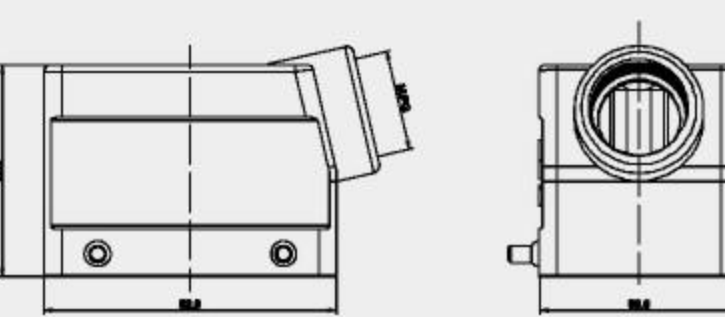

S10A金属外壳 (防护等级: IP65)/S10A metal enclosure (protection grade: IP65)

外壳 (Hoods&Housing)	描述(Description)	订货号(Part Number)	螺纹(Thread)	图纸(Drawing)
	上壳 侧出线 (Hoods,side entry)	S10A-SE-2B-M20 S10A-SE-2B-PG16	M20 PG16	
	上壳 侧出线 高结构 (Hoods, side entry,high construction)	S10A-SEH-2B-M25 S10A-SEH-2B-PG16 S10A-SEH-2B-PG21	M25 PG16 PG21	
	上壳 顶出线 (Hoods,top entry)	S10A-TE-2B-M20 S10A-TE-2B-PG16	M20 PG16	
	上壳 顶出线 高结构 (Hoods, top entry,high construction)	S10A-TEH-2B-M25 S10A-TEH-2B-PG16 S10A-TEH-2B-PG21	M25 PG16 PG21	
	下壳 不封底 (Housings, bulkhead mounting)	S10A-BM-1L.M S10A-BM-1L.M-PC S10A-BM-1L.M-MC	/	
	下壳 封底 (Housings, surface mounting)	S10A-SM-1L.M-M20 S10A-SM-1L.M-2M20 S10A-SM-1L.M-M25 S10A-SM-1L.M-PG16 S10A-SM-1L.M-2PG16 S10A-SM-1L.M-PG21 带塑料盖/With plastic cover S10A-SM-1L.M-M20-PC S10A-SM-1L.M-2M20-PC S10A-SM-1L.M25-PC S10A-SM-1L.M-PG16-PC S10A-SM-1L.M-2PG16-PC S10A-SM-1L.M-PG21-PC 带金属盖/With metal cover S10A-SM-1L.M-M20-MC S10A-SM-1L.M-2M20-MC S10A-SM-1L.M-M25-MC S10A-SM-1L.M-PG16-MC S10A-SM-1L.M-2PG16-MC S10A-SM-1L.M-PG21-MC	M20 2xM20 M25 PG16 2xPG16 PG21	
	金属盖 用于上壳 (For hoods)	S10A-MC-1L/1S S10A-MC-1L/2S		
	金属盖 用于下壳 (For housings)	S10A-MC-2B/1S S10A-MC-2B/2S		

S16A金属外壳 (防护等级: IP65)/S16A metal enclosure (protection grade: IP65)

外壳 (Hoods&Housing)	描述(Description)	订货号(Part Number)	螺纹(Thread)	图纸(Drawing)
	上壳 侧出线 (Hoods,side entry)	S16A-SE-2B-M20 S16A-SE-2B-PG16	M20 PG16	
	上壳 侧出线 高结构 (Hoods, side entry,high construction)	S16A-SEH-2B-M25 S16A-SEH-2B-PG16 S16A-SEH-2B-PG21	M25 PG16 PG21	
	上壳 顶出线 (Hoods,top entry)	S16A-TE-2B-M20 S16A-TE-2B-PG16	M20 PG16	
	上壳 顶出线 高结构 (Hoods, top entry,high construction)	S16A-TEH-2B-M25 S16A-TEH-2B-PG16 S16A-TEH-2B-PG21	M25 PG16 PG21	
	下壳 不封底 (Housings, bulkhead mounting)	S16A-BM-1L.M S16A-BM-1L.M-PC S16A-BM-1L.M-MC	/	
	下壳 封底 (Housings, surface mounting)	S16A-SM-1L.M-M20 S16A-SM-1L.M-2M20 S16A-SM-1L.M-M25 S16A-SM-1L.M-PG16 S16A-SM-1L.M-2PG16 S16A-SM-1L.M-PG21 带塑料盖/With plastic cover S16A-SM-1L.M-M20-PC S16A-SM-1L.M-2M20-PC S16A-SM-1L.M-M25-PC S16A-SM-1L.M-PG16-PC S16A-SM-1L.M-2PG16-PC S16A-SM-1L.M-PG21-PC 带金属盖/With metal cover S16A-SM-1L.M-M20-MC S16A-SM-1L.M-2M20-MC S16A-SM-1L.M-M25-MC S16A-SM-1L.M-PG16-MC S16A-SM-1L.M-2PG16-MC S16A-SM-1L.M-PG21-MC	M20 2xM20 M25 PG16 2xPG16 PG21	
	金属盖 用于上壳 (For hoods)	S16A-MC-1L/1S S16A-MC-1L/2S		
	金属盖 用于下壳 (For housings)	S16A-MC-2B/1S S16A-MC-2B/2S		

S32A金属外壳 (防护等级: IP65)/S32A metal enclosure (protection grade: IP65)

外壳 (Hoods&Housing)	描述(Description)	订货号(Part Number)	螺纹(Thread)	图纸(Drawing)
	上壳 侧出线 (Hoods,side entry)	S32A-SE-4B-M25 S32A-SE-4B-PG21	M25 PG21	
	上壳 侧出线 高结构 (Hoods, side entry,high construction)	S32A-SEH-4B-M32 S32A-SEH-4B-PG21 S32A-SEH-2B-PG29	M32 PG21 PG29	
	上壳 顶出线 高结构 (Hoods, top entry,high construction)	S32A-TEH-4B-M25 S32A-TEH-4B-M32 S32A-TEH-4B-PG21 S32A-TEH-4B-PG29	M25 M32 PG21 PG29	
	下壳 不封底 (Housings, bulkhead mounting)	S32A-BM-2L.M		
	下壳 封底 (Housings, surface mounting)	S32A-SM-2L.M-M25 S32A-SM-2L.M-M32 S32A-SM-2L.M-2M32 S32A-SM-2L.M-PG21 S32A-SM-2L.M-2PG21 S32A-SM-2L.M-PG29 S32A-SM-2L.M-2PG29	M25 M32 2xM32 PG21 2xPG21 PG29 2xPG21	
	金属盖 用于上壳 (For hoods)	S32A-MC-4C		
	金属盖 用于下壳 (For housings)	S32A-MC-4B /1 S32A-MC-4B/2		


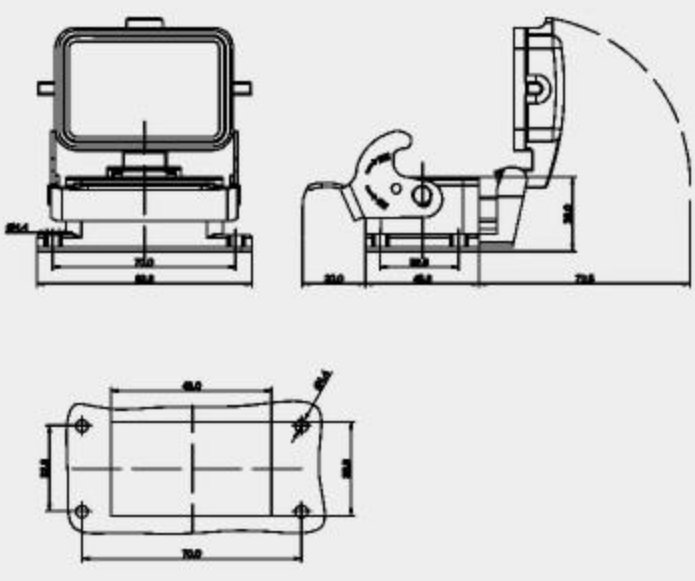

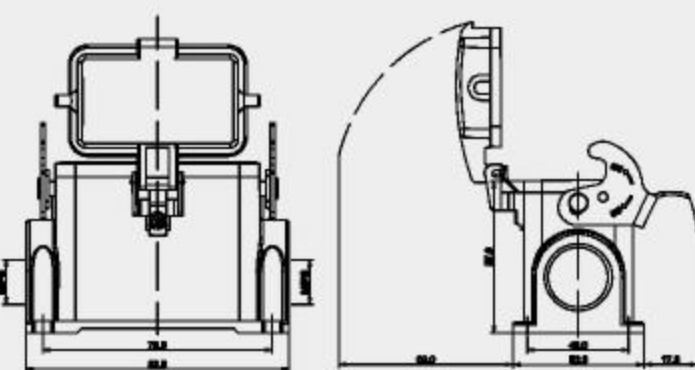

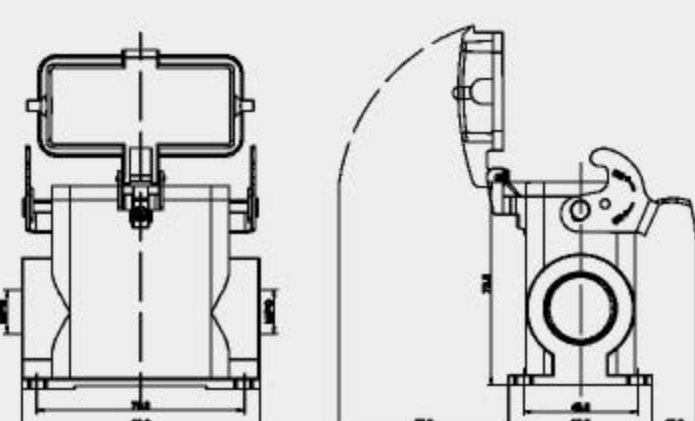
S32A-1金属外壳 (防护等级 : IP65)/S32A-1 metal enclosure (protection grade: IP65)

外壳 (Hoods&Housing)	描述(Description)	订货号(Part Number)	螺纹(Thread)	图纸(Drawing)
	上壳 侧出线 (Hoods,side entry)	S32A-SE-2L.M-M25 S32A-SE-2L.M-PG21	M25 PG21	
	上壳 侧出线 高结构 (Hoods, side entry,high construction)	S32A-SEH-2L.M-M32 S32A-SEH-2L.M-PG21 S32A-SEH-2L.M-PG29	M32 PG21 PG29	
	上壳 顶出线 高结构 (Hoods, top entry,high construction)	S32A-TEH-2L.M-M25 S32A-TEH-2L.M-M32 S32A-TEH-2L.M-PG21 S32A-TEH-2L.M-PG29	M25 M32 PG21 PG29	
	下壳 不封底 (Housings, bulkhead mounting)	S32A-BM-4B S32A-BM-4B-PC S32A-BM-4B-MC		
	下壳 封底 (Housings, surface mounting)	S32A-SM-4B-M25 S32A-SM-4B-M32 S32A-SM-4B-2M32 S32A-SM-4B-PG21 S32A-SM-4B-2PG21 S32A-SM-4B-PG29 S32A-SM-4B-2PG29 带塑料盖/With plastic cover S32A-SM-4B-M25-PC S32A-SM-4B-M32-PC S32A-SM-4B-2M32-PC S32A-SM-4B-PG21-PC S32A-SM-4B-2PG21-PC S32A-SM-4B-PG29-PC S32A-SM-4B-2PG29-PC 带金属盖/With metal cover S32A-SM-4B-M25-MC S32A-SM-4B-M32-MC S32A-SM-4B-2M32-MC S32A-SM-4B-PG21-MC S32A-SM-4B-2PG21-MC S32A-SM-4B-PG29-MC S32A-SM-4B-2PG29-MC	M25 M32 2xM32 PG21 2xPG21 PG29 2xPG21	

S6B金属外壳 (防护等级 : IP65)/S6B metal enclosure (protection grade: IP65)

外壳 (Hoods&Housing)	描述(Description)	订货号(Part Number)	螺纹(Thread)	图纸(Drawing)
	上壳 侧出线 (Hoods,side entry)	S6B-SE-2B-M20 S6B-SE-2B-M25 S6B-SE-2B-PG13.5 S6B-SE-2B-PG16	M20 M25 PG13.5 PG16	
	上壳 侧出线 高结构 (Hoods, side entry,high construction)	S6B-SEH-2B-M25 S6B-SEH-2B-M32 S6B-SEH-2B-PG21 S6B-SEH-2B-PG29	M25 M32 PG21 PG29	
	上壳 顶出线 (Hoods,top entry)	S6B-TE-2B-M20 S6B-TE-2B-PG13.5 S6B-TE-2B-PG16	M20 PG13.5 PG16	
	上壳 顶出线 高结构 (Hoods, top entry,high construction)	S6B-TEH-2B-M25 S6B-TEH-2B-M32 S6B-TEH-2B-PG21 S6B-TEH-2B-PG29	M25 M32 PG21 PG29	
	下壳 电缆对接 (Housings, cable to cable)	S6B-CC-1L.M-M20 S6B-CC-1L.M-PG13.5 S6B-CC-1L.M-PG16	M20 PG13.5 PG16	
	下壳 电缆对接 高结构 (Housings, cable to cable high construction)	S6B-CCH-1L.M-M25 S6B-CCH-1L.M-M32 S6B-CCH-1L.M-PG21 S6B-CCH-1L.M-PG29	M25 M32 PG21 PG29	


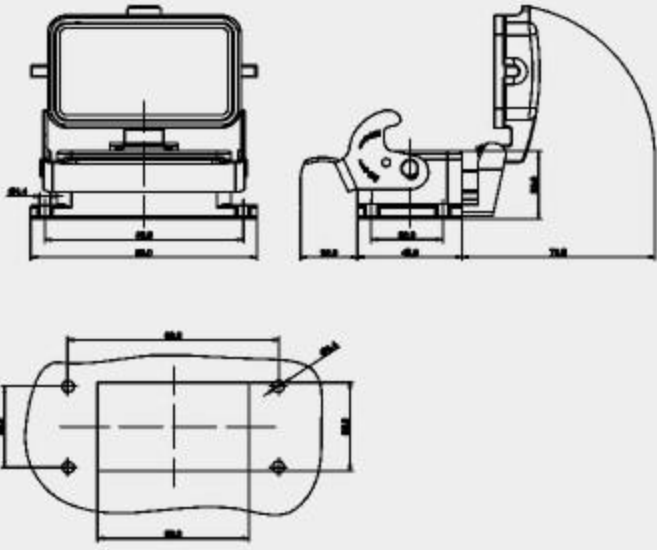

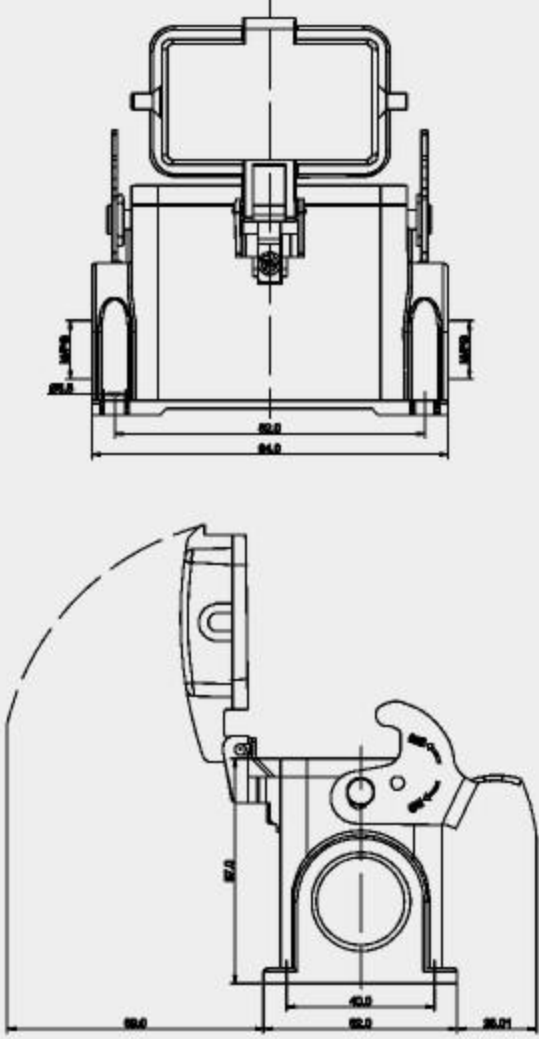

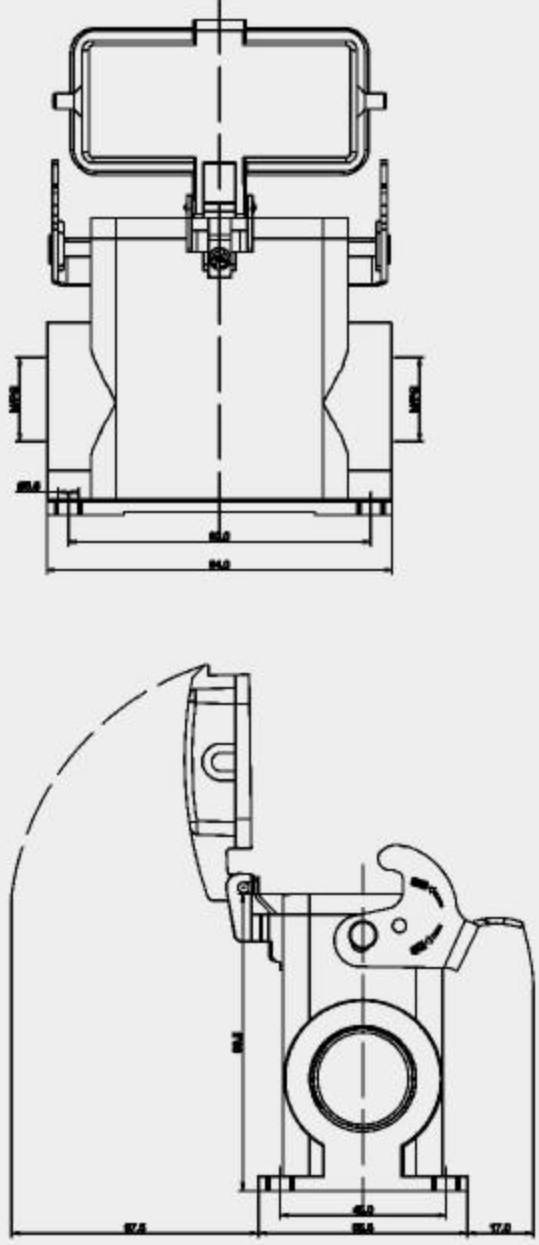
S6B金属外壳 (防护等级: IP65)/S10B metal enclosure (protection grade: IP65)

外壳 (Hoods&Housing)	描述(Description)	订货号(Part Number)	螺纹(Thread)	图纸(Drawing)
	下壳 不封底 (Housings, bulkhead mounting)	S6B-BM-1LM 带塑料盖/With plastic cover S6B-BM-1LM-PC 带金属盖/With metal cover S6B-BM-1LM-MC		
	下壳 封底 (Housings, surface mounting)	S6B-SM-1LM-M20 S6B-SM-1LM-2M20 S6B-SM-1LM-M25 S6B-SM-1LM-2M25 S6B-SM-1LM-PG16 S6B-SM-1LM-2PG16 带塑料盖/With plastic cover S6B-SM-1LM-M20-PC S6B-SM-1LM-2M20-PC S6B-SM-1LM-M25-PC S6B-SM-1LM-2M25-PC S6B-SM-1LM-PG16-PC S6B-SM-1LM-2PG16-PC 带金属盖/With metal cover S6B-SM-1LM-M20-MC S6B-SM-1LM-2M20-MC S6B-SM-1LM-M25-MC S6B-SM-1LM-2M25-MC S6B-SM-1LM-PG16-MC S6B-SM-1LM-2PG16-MC	M20 2M20 M25 2M25 PG16 2PG16	
	下壳 封底 高结构 (Housings, surface mounting high construction)	S6B-SMH-1LM-M25 S6B-SMH-1LM-2M25 S6B-SMH-1LM-M32 S6B-SMH-1LM-2M32 S6B-SMH-1LM-PG21 S6B-SMH-1LM-2PG21 S6B-SMH-1LM-PG29 S6B-SMH-1LM-2PG29 带塑料盖/With plastic cover S6B-SMH-1LM-M25-PC S6B-SMH-1LM-2M25-PC S6B-SMH-1LM-M32-PC S6B-SMH-1LM-2M32-PC S6B-SMH-1LM-PG21-PC S6B-SMH-1LM-2PG21-PC S6B-SMH-1LM-PG29-PC S6B-SMH-1LM-2PG29-PC 带金属盖/With metal cover S6B-SMH-1LM-M25-MC S6B-SMH-1LM-2M25-MC S6B-SMH-1LM-M32-MC S6B-SMH-1LM-2M32-MC S6B-SMH-1LM-PG21-MC S6B-SMH-1LM-2PG21-MC S6B-SMH-1LM-PG29-MC S6B-SMH-1LM-2PG29-MC	M25 2M25 M32 2M32 Pg21 2PG21 PG29 2PG29	


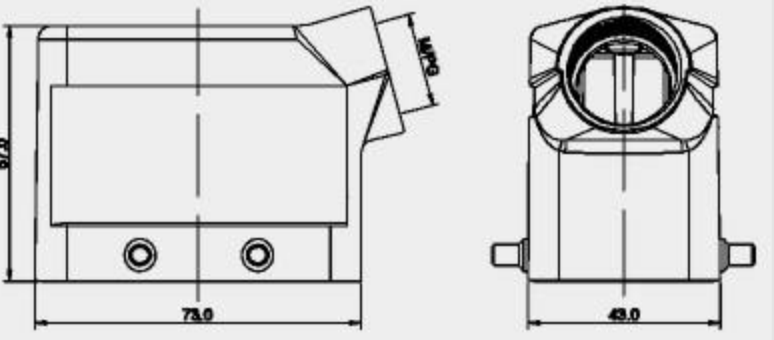
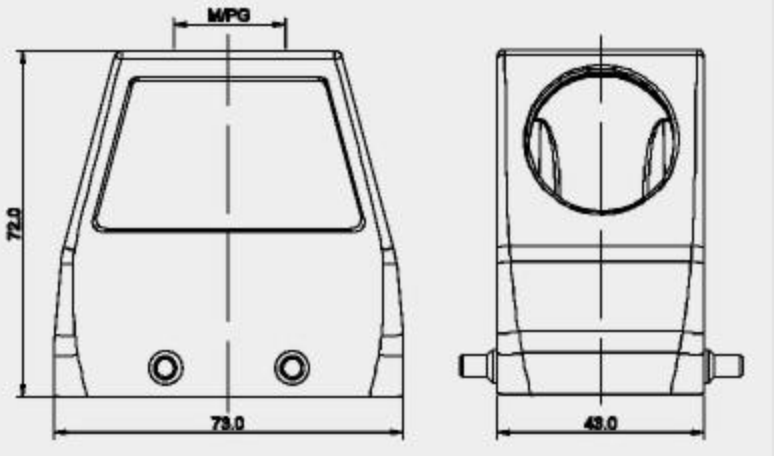

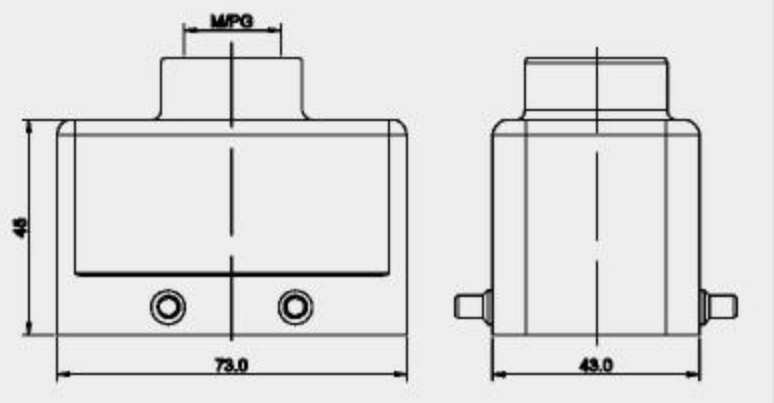

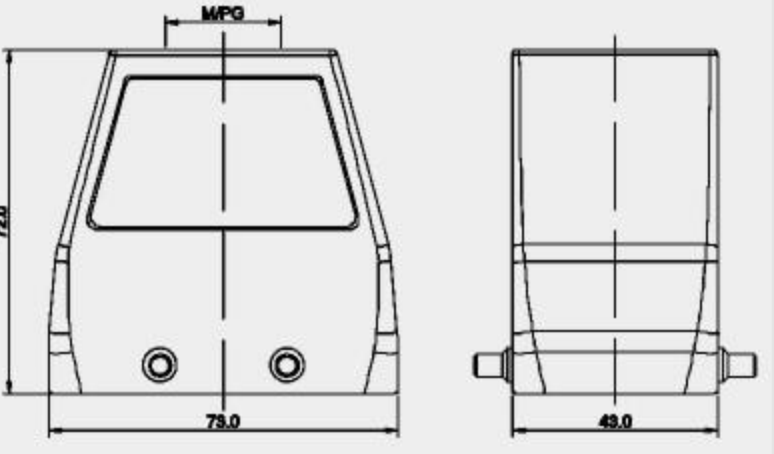

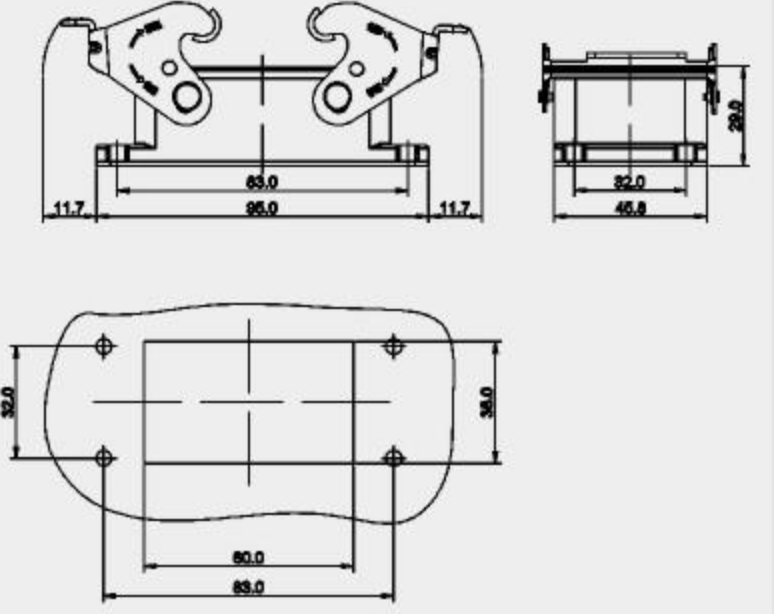

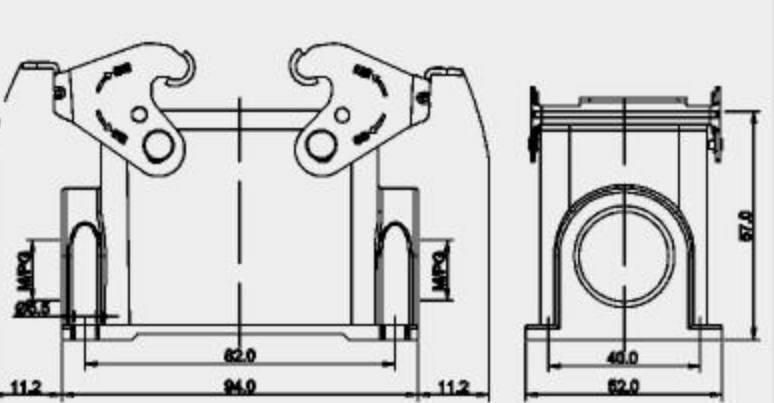
S10B金属外壳 (防护等级: IP65)/S10B metal enclosure (protection grade: IP65)

外壳 (Hoods&Housing)	描述(Description)	订货号(Part Number)	螺纹(Thread)	图纸(Drawing)
	上壳 侧出线 (Hoods,side entry)	S10B-SE-2B-M20 S10B-SE-2B-M25 S10B-SE-2B-PG16	M20 M25 PG16	
	上壳 侧出线 高结构 (Hoods, side entry,high construction)	S10B-SEH-2B-M25 S10B-SEH-2B-M32 S10B-SEH-2B-PG21 S10B-SEH-2B-PG29	M25 M32 PG21 PG29	
	上壳 顶出线 (Hoods,top entry)	S10B-TE-2B-M20 S10B-TE-2B-M25 S10B-TE-2B-PG16	M20 M25 PG16	
	上壳 顶出线 高结构 (Hoods, top entry,high construction)	S10B-TEH-2B-M25 S10B-TEH-2B-M32 S10B-TEH-2B-PG21 S10B-TEH-2B-PG29	M25 M32 PG21 PG29	
	下壳 电缆对接 (Housings, cable to cable)	S10B-CC-1LM-M20 S10B-CC-1LM-M25 S10B-CC-1LM-PG16	M20 M25 PG16	
	下壳 电缆对接 高结构 (Housings, cable to cable high construction)	S10B-CCH-1LM-M25 S10B-CCH-1LM-M32 S10B-CCH-1LM-PG21 S10B-CCH-1LM-PG29	M25 M32 PG21 PG29	

S10B金属外壳 (防护等级: IP65)/S10B metal enclosure (protection grade: IP65)

外壳 (Hoods&Housing)	描述(Description)	订货号(Part Number)	螺纹(Thread)	图纸(Drawing)
	下壳 不封底 (Housings, bulkhead mounting)	S10B-BM-1LM 带塑料盖/With plastic cover S10B-BM-1LM-PC 带金属盖/With metal cover S10B-BM-1LM-MC		
	下壳 封底 (Housings, surface mounting)	S10B-SM-1LM-M20 S10B-SM-1LM-2M20 S10B-SM-1LM-M25 S10B-SM-1LM-2M25 S10B-SM-1LM-PG16 S10B-SM-1LM-2PG16 带塑料盖/With plastic cover S10B-SM-1LM-M20-PC S10B-SM-1LM-2M20-PC S10B-SM-1LM-M25-PC S10B-SM-1LM-2M25-PC S10B-SM-1LM-PG16-PC S10B-SM-1LM-2PG16-PC 带金属盖/With metal cover S10B-SM-1LM-M20-MC S10B-SM-1LM-2M20-MC S10B-SM-1LM-M25-MC S10B-SM-1LM-2M25-MC S10B-SM-1LM-PG16-MC S10B-SM-1LM-2PG16-MC	M20 2M20 M25 2M25 PG16 2PG16	
	下壳 封底 高结构 (Housings, surface mounting high construction)	S10B-SMH-1LM-M25 S10B-SMH-1LM-2M25 S10B-SMH-1LM-M32 S10B-SMH-1LM-2M32 S10B-SMH-1LM-PG21 S10B-SMH-1LM-2PG21 S10B-SMH-1LM-PG29 S10B-SMH-1LM-2PG29 带塑料盖/With plastic cover S10B-SMH-1LM-M25-PC S10B-SMH-1LM-2M25-PC S10B-SMH-1LM-M32-PC S10B-SMH-1LM-2M32-PC S10B-SMH-1LM-PG21-PC S10B-SMH-1LM-2PG21-PC S10B-SMH-1LM-PG29-PC S10B-SMH-1LM-2PG29-PC 带金属盖/With metal cover S10B-SMH-1LM-M25-MC S10B-SMH-1LM-2M25-MC S10B-SMH-1LM-M32-MC S10B-SMH-1LM-2M32-MC S10B-SMH-1LM-PG21-MC S6B-SMH-1LM-2PG21-MC S10B-SMH-1LM-PG29-MC S10B-SMH-1LM-2PG29-MC	M25 2M25 M32 2M32 Pg21 2PG21 PG29 2PG29	


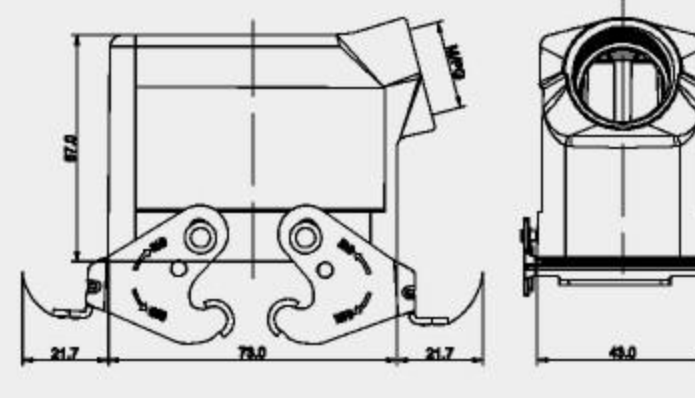

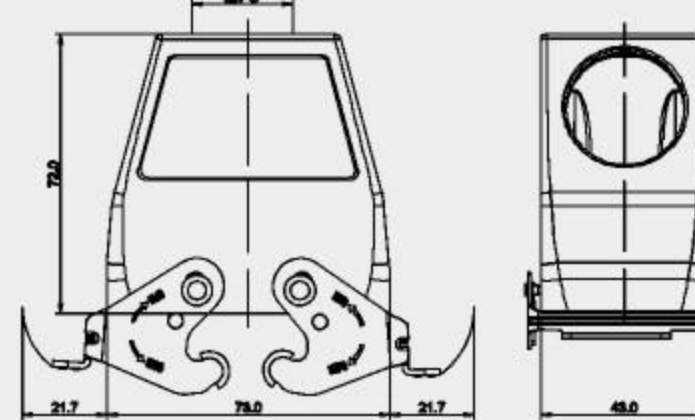

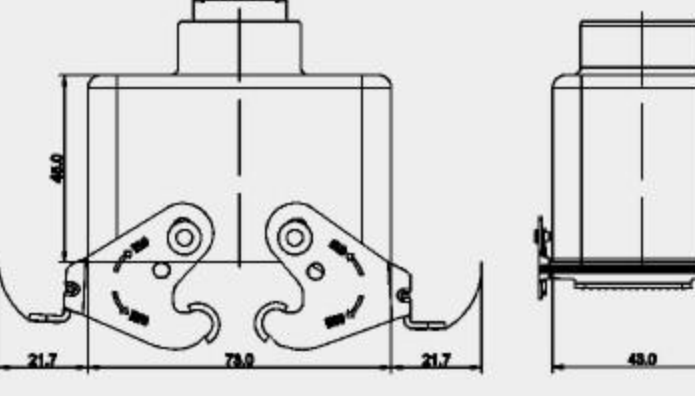

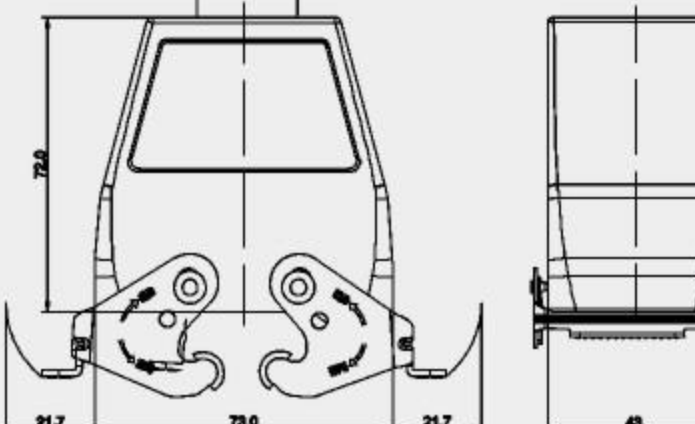

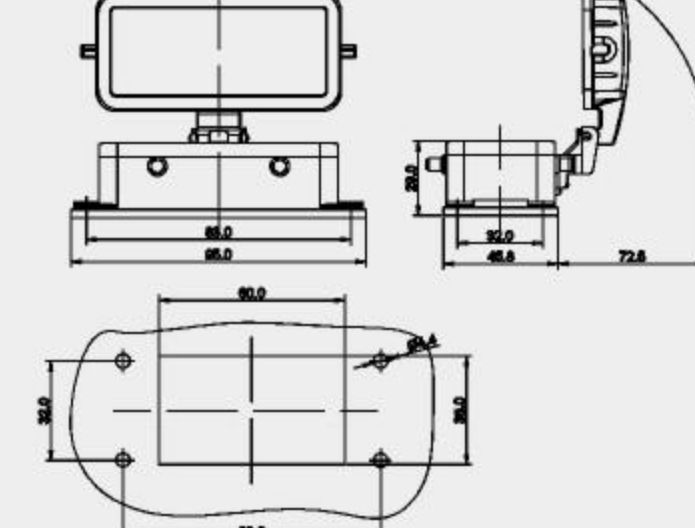
S10B金属外壳 (防护等级: IP65)/S10B metal enclosure (protection grade: IP65)

外壳 (Hoods&Housing)	描述(Description)	订货号(Part Number)	螺纹(Thread)	图纸(Drawing)
	上壳 侧出线 (Hoods,side entry)	S10B-SE-4B-M20 S10B-SE-4B-M25 S10B-SE-4B-PG16	M20 M25 PG16	
	上壳 侧出线 高结构 (Hoods, side entry,high construction)	S10B-SEH-4B-M25 S10B-SEH-4B-M32 S10B-SEH-4B-PG21 S10B-SEH-4B-PG29	M25 M32 PG21 PG29	
	上壳 顶出线 (Hoods,top entry)	S10B-TE-4B-M20 S10B-TE-4B-M25 S10B-TE-4B-PG16	M20 M25 PG16	
	上壳 顶出线 高结构 (Hoods, top entry,high construction)	S10B-TEH-4B-M25 S10B-TEH-4B-M32 S10B-TEH-4B-PG21 S10B-TEH-4B-PG29	M25 M32 PG21 PG29	
	下壳 不封底 (Housings, bulkhead mounting)	S10B-BM-2LM		
	下壳 封底 (Housings, surface mounting)	S10B-SM-2LM-M20 S10B-SM-2LM-2M20 S10B-SM-2LM-M25 S10B-SM-2LM-2M25 S10B-SM-2LM-PG16 S10B-SM-2LM-2PG16	M20 2M20 M25 2M25 PG16 2PG16	


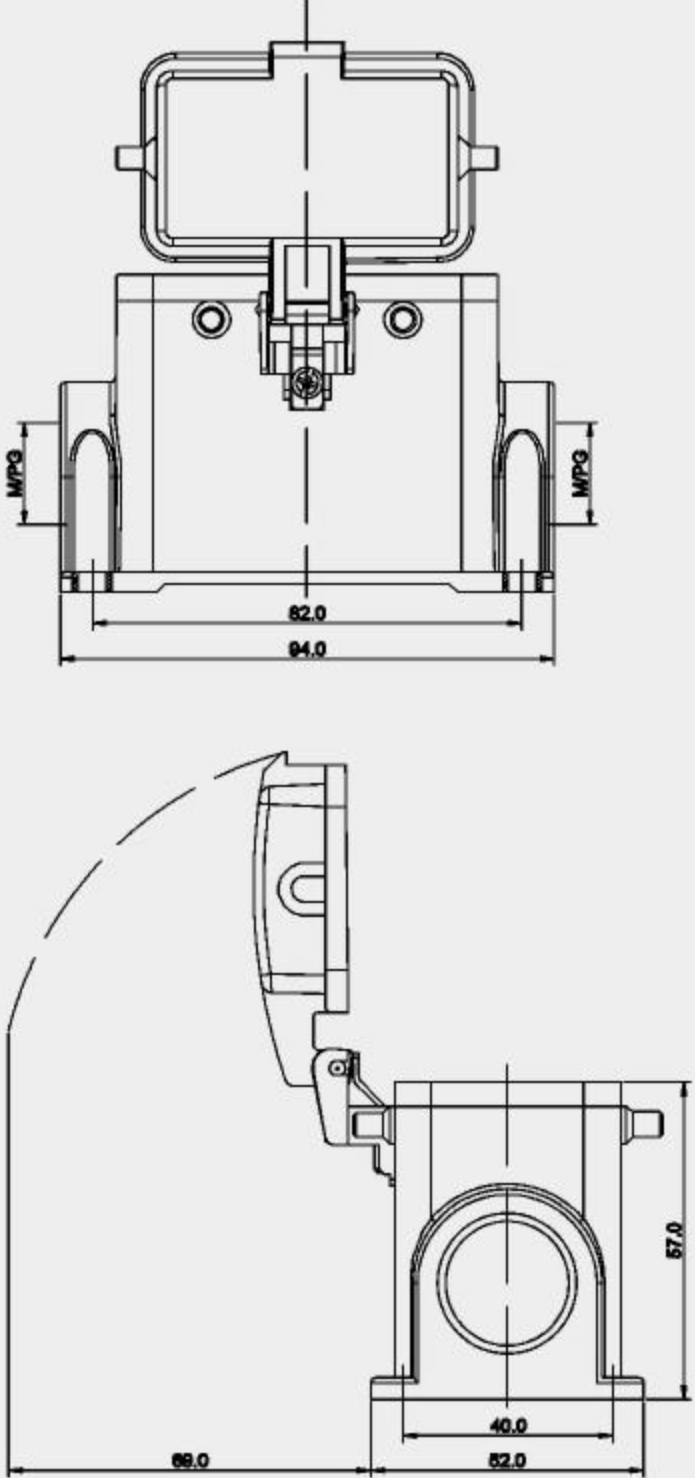

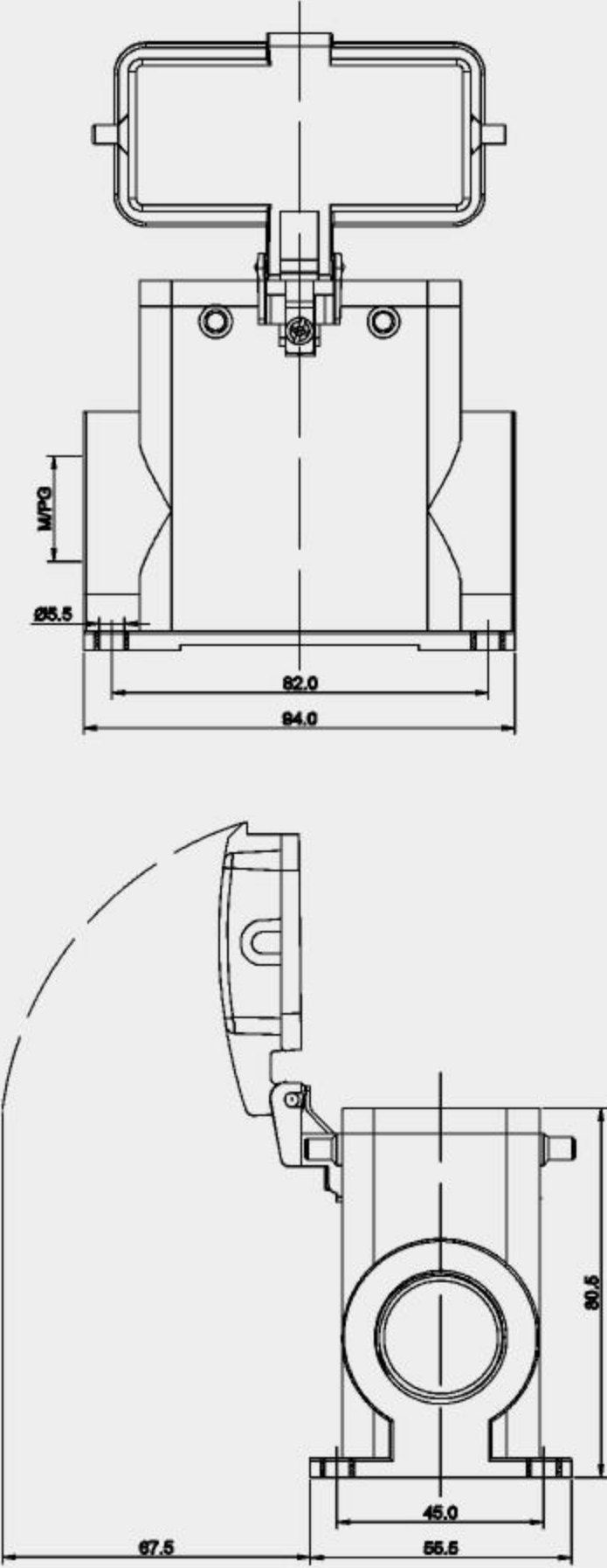
S10B金属外壳 (防护等级: IP65)/S10B metal enclosure (protection grade: IP65)

外壳 (Hoods&Housing)	描述(Description)	订货号(Part Number)	螺纹(Thread)	图纸(Drawing)
	下壳 封底 高结构 (Housings, surface mounting high construction)	S10B-SMH-2LM-M25 S10B-SMH-2LM-2M25 S10B-SMH-2LM-M32 S10B-SMH-2LM-2M32 S10B-SMH-2LM-PG21 S10B-SMH-2LM-2PG21 S10B-SMH-2LM-PG29 S10B-SMH-2LM-2PG29	M25 2M25 M32 2M32 PG21 2PG21 PG29 2PG29	
	下壳 电缆对接 (Housings, cable to cable)	S10B-CC-2LM-M20 S10B-CC-2LM-M25 S10B-CC-2LM-PG16	M20 M25 PG16	
	下壳 电缆对接 高结构 (Housings, cable to cable high construction)	S10B-CCH-2LM-M25 S10B-CCH-2LM-M32 S10B-CCH-2LM-PG21 S10B-CCH-2LM-PG29	M25 M32 PG21 PG29	
	防护盖 (Protection)	带塑料盖 S10B-PC-4C		
	防护盖 (Protection)	带塑料盖/With plastic cover S10B-PC-4B/1S S10B-PC-4B/2S 带金属盖/With metal cover S10B-MC-4B/1S S10B-MC-4B/2S	1S 2S	

S10B金属外壳 (防护等级: IP65)/S10B metal enclosure (protection grade: IP65)

外壳 (Hoods&Housing)	描述(Description)	订货号(Part Number)	螺纹(Thread)	图纸(Drawing)
	上壳 侧出线 (Hoods, side entry)	S10B-SE-2LM-M20 S10B-SE-2LM-PG16	M20 PG16	
	上壳 侧出线 高结构 (Hoods, side entry, high construction)	S10B-SEH-2LM-M25 S10B-SEH-2LM-M32 S10B-SEH-2LM-PG21 S10B-SEH-2LM-PG29	M25 M32 PG21 PG29	
	上壳 顶出线 (Hoods, top entry)	S10B-TE-2LM-M20 S10B-TE-2LM-PG16	M20 PG16	
	上壳 顶出线 高结构 (Hoods, top entry, high construction)	S10B-TEH-2LM-M25 S10B-TEH-2LM-M32 S10B-TEH-2LM-PG21 S10B-TEH-2LM-PG29	M25 M32 PG21 PG29	
	下壳 不封底 (Housings, bulkhead mounting)	S10B-BM-4B 带塑料盖/With plastic cover S10B-BM-4B-PC 带金属盖/With metal cover S10B-BM-4B-MC		


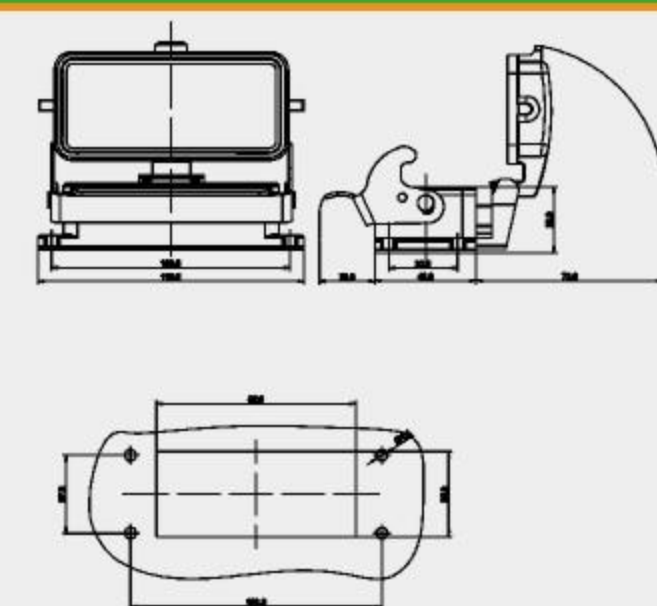

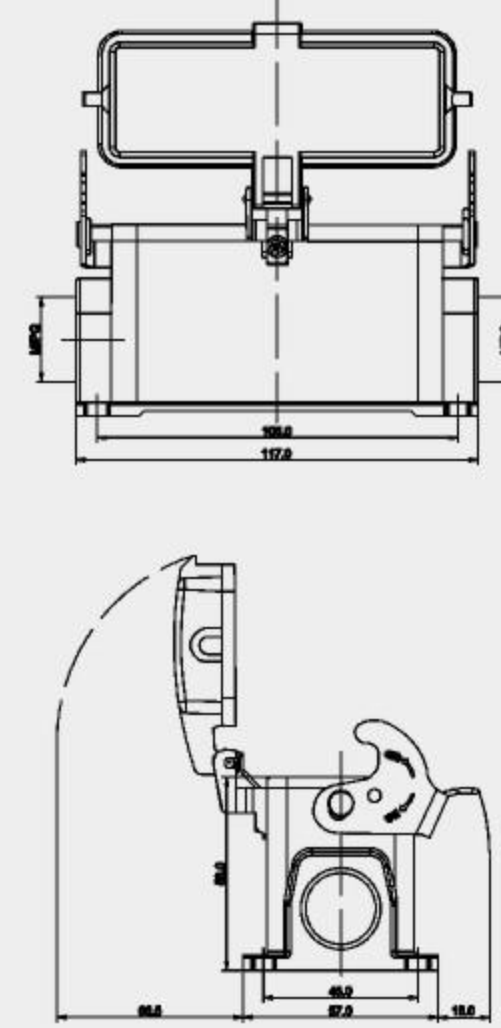

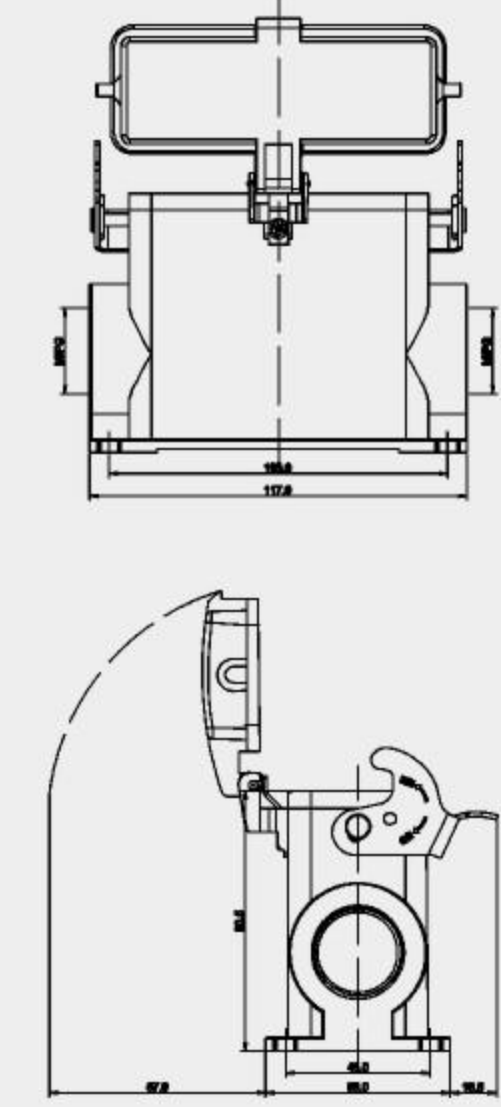
S10B金属外壳 (防护等级: IP65)/S10B metal enclosure (protection grade: IP65)

外壳 (Hoods&Housing)	描述(Description)	订货号(Part Number)	螺纹(Thread)	图纸(Drawing)
	下壳封底 (Housings, surface mounting)	S10B-SM-4B-M20 S10B-SM-4B-2M20 S10B-SM-4B-M25 S10B-SM-4B-2M25 S10B-SM-4B-PG16 S10B-SM-4B-2PG16 带塑料盖/With plastic cover S10B-SM-4B-M20-PC S10B-SM-4B-2M20-PC S10B-SM-4B-M25-PC S10B-SM-4B-2M25-PC S10B-SM-4B-PG16-PC S10B-SM-4B-2PG16-PC 带金属盖/With metal cover S10B-SM-4B-M20-MC S10B-SM-4B-2M20-MC S10B-SM-4B-M25-MC S10B-SM-4B-2M25-MC S10B-SM-4B-PG16-MC S10B-SM-4B-2PG16-MC	M20 2M20 M25 2M25 PG16 2PG16	
	下壳封底 高结构 (Housings, surface mounting high construction)	S10B-SMH-4B-M25 S10B-SMH-4B-2M25 S10B-SMH-4B-M32 S10B-SMH-4B-2M32 S10B-SMH-4B-PG21 S10B-SMH-4B-2PG21 S10B-SMH-4B-PG29 S10B-SMH-4B-2PG29 带塑料盖/With plastic cover S10B-SMH-4B-M25-PC S10B-SMH-4B-2M25-PC S10B-SMH-4B-M32-PC S10B-SMH-4B-2M32-PC S10B-SMH-4B-PG21-PC S10B-SMH-4B-2PG21-PC S10B-SMH-4B-PG29-PC S10B-SMH-4B-2PG29-PC 带金属盖/With metal cover S10B-SMH-4B-M25-MC S10B-SMH-4B-2M25-MC S10B-SMH-4B-M32-MC S10B-SMH-4B-2M32-MC S10B-SMH-4B-PG21-MC S10B-SMH-4B-2PG21-MC S10B-SMH-4B-PG29-MC S10B-SMH-4B-2PG29-MC	M25 2M25 M32 2M32 PG21 2PG21 PG29 2PG29	




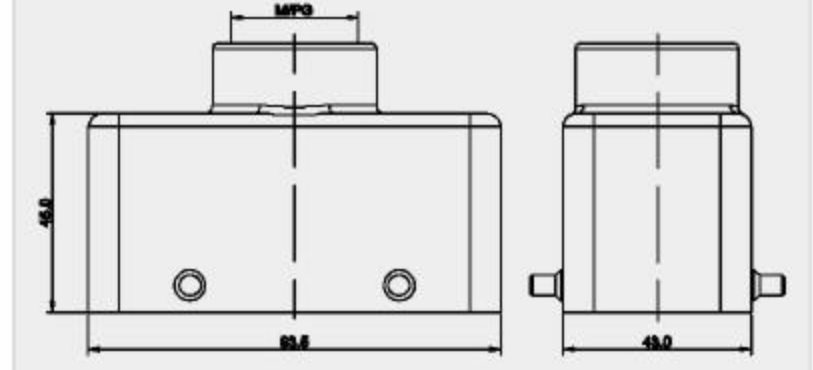

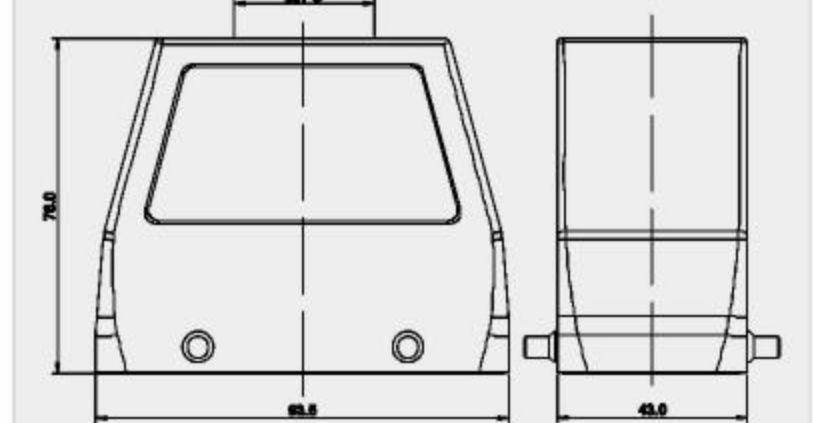

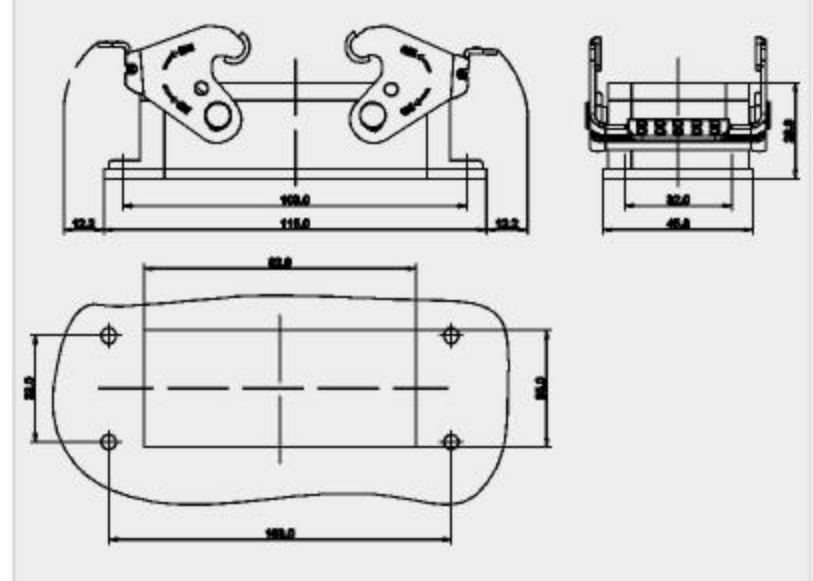

S16B金属外壳 (防护等级: IP65)/S16B metal enclosure (protection grade: IP65)

外壳 (Hoods&Housing)	描述(Description)	订货号(Part Number)	螺纹(Thread)	图纸(Drawing)
	上壳侧出线 (Hoods, side entry)	S16B-SE-2B-M25 S16B-SE-2B-M32 S16B-SE-2B-PG21	M25 M32 PG21	
	上壳侧出线 高结构 (Hoods, side entry, high construction)	S16B-SEH-2B-M32 S16B-SEH-2B-M40 S16B-SEH-2B-PG21 S16B-SEH-2B-PG29	M32 M40 PG21 PG29	
	上壳顶出线 (Hoods, top entry)	S16B-TE-2B-M25 S16B-TE-2B-M32 S16B-TE-2B-PG21	M25 M32 PG21	
	上壳顶出线 高结构 (Hoods, top entry, high construction)	S16B-TEH-2B-M32 S16B-TEH-2B-M40 S16B-TEH-2B-PG21 S16B-TEH-2B-PG29	M32 M40 PG21 PG29	
	下壳不封底 (Housings, bulkhead mounting)	S16B-CC-1L.M-M25 S16B-CC-1L.M-M32 S16B-CC-1L.M-PG21	M25 M32 PG21	
	下壳电缆对接 高结构 (Housings, cable to cable high construction)	S16B-CCH-1L.M-M32 S16B-CCH-1L.M-M40 S16B-CCH-1L.M-PG21 S16B-CCH-1L.M-PG29	M32 M40 PG21 PG29	

S16B金属外壳 (防护等级: IP65)/S16B metal enclosure (protection grade: IP65)

外壳 (Hoods&Housing)	描述(Description)	订货号(Part Number)	螺纹(Thread)	图纸(Drawing)
	下壳 不封底 (Housings, bulkhead mounting)	S16B-BM-1LM 带塑料盖/With plastic cover S16B-BM-1LM-PC 带金属盖/With metal cover S16B-BM-1LM-MC		
	下壳 封底 (Housings, surface mounting)	S16B-SM-1LM-M25 S16B-SM-1LM-2M25 S16B-SM-1LM-PG21 S16B-SM-1LM-2PG21 带塑料盖/With plastic cover S16B-SM-1LM-M25-PC S16B-SM-1LM-2M25-PC S16B-SM-1LM-PG21-PC S16B-SM-1LM-2PG21-PC 带金属盖/With metal cover S16B-SM-1LM-M25-MC S16B-SM-1LM-2M25-MC S16B-SM-1LM-PG21-MC S16B-SM-1LM-2PG21-MC	M25 2M25 PG21 2PG21	
	下壳 封底 高结构 (Housings, surface mounting high construction)	S16B-SMH-1LM-M32 S16B-SMH-1LM-2M32 S16B-SMH-1LM-PG21 S16B-SMH-1LM-2PG21 S16B-SMH-1LM-PG29 S16B-SMH-1LM-2PG29 带塑料盖/With plastic cover S16B-SMH-1LM-M32-PC S16B-SMH-1LM-2M32-PC S16B-SMH-1LM-PG21-PC S16B-SMH-1LM-2PG21-PC S16B-SMH-1LM-PG29-PC S16B-SMH-1LM-2PG29-PC 带金属盖/With metal cover S16B-SMH-1LM-M32-MC S16B-SMH-1LM-2M32-MC S16B-SMH-1LM-PG21-MC S16B-SMH-1LM-2PG21-MC S16B-SMH-1LM-PG29-MC S16B-SMH-1LM-2PG29-MC	M32 2M32 PG21 2PG21 PG29 2PG29	


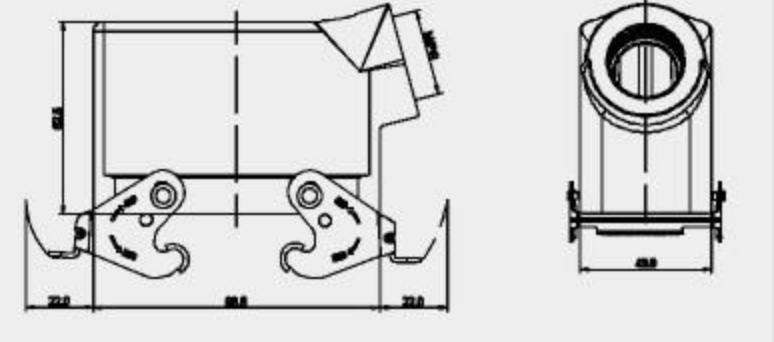

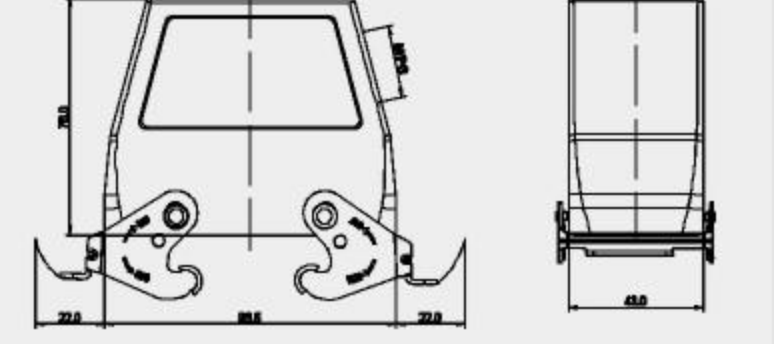

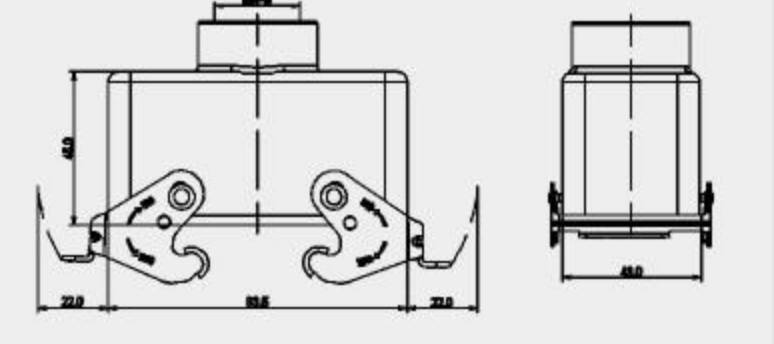

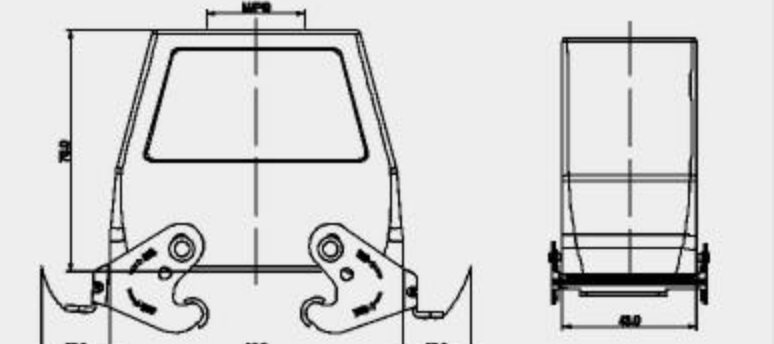

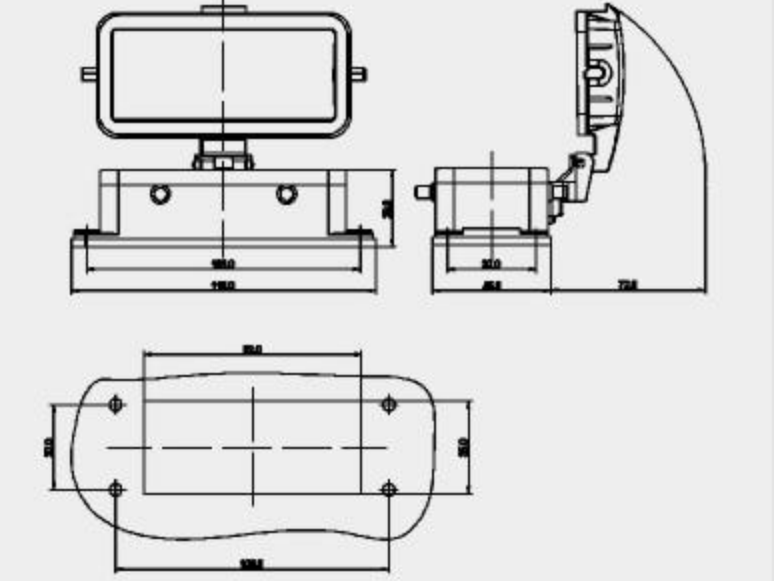
S16B金属外壳 (防护等级: IP65)/S16B metal enclosure (protection grade: IP65)

外壳 (Hoods&Housing)	描述(Description)	订货号(Part Number)	螺纹(Thread)	图纸(Drawing)
	上壳 侧出线 (Hoods,side entry)	S16B-SE-4B-M25 S16B-SE-4B-M32 S16B-SE-4B-PG21	M25 M32 PG21	
	上壳 侧出线 高结构 (Hoods, side entry,high construction)	S16B-SEH-4B-M25 S16B-SEH-4B-M32 S16B-SEH-4B-M40 S16B-SEH-4B-PG21 S16B-SEH-4B-PG29	M25 M32 M40 PG21 PG29	
	上壳 顶出线 (Hoods,top entry)	S16B-TE-4B-M25 S16B-TE-4B-M32 S16B-TE-4B-PG21	M25 M32 PG21	
	上壳 顶出线 高结构 (Hoods, top entry,high construction)	S16B-TEH-4B-M25 S16B-TEH-4B-M32 S16B-TEH-4B-M40 S16B-TEH-4B-PG21 S16B-TEH-4B-PG29	M25 M32 M40 PG21 PG29	
	下壳 不封底 (Housings, bulkhead mounting)	S16B-BM-2LM		
	下壳 封底 (Housings, surface mounting)	S16B-SM-2LM-M25 S16B-SM-2LM-2M25 S16B-SM-2LM-PG21 S16B-SM-2LM-2PG21	M25 M25 PG21 PG21	


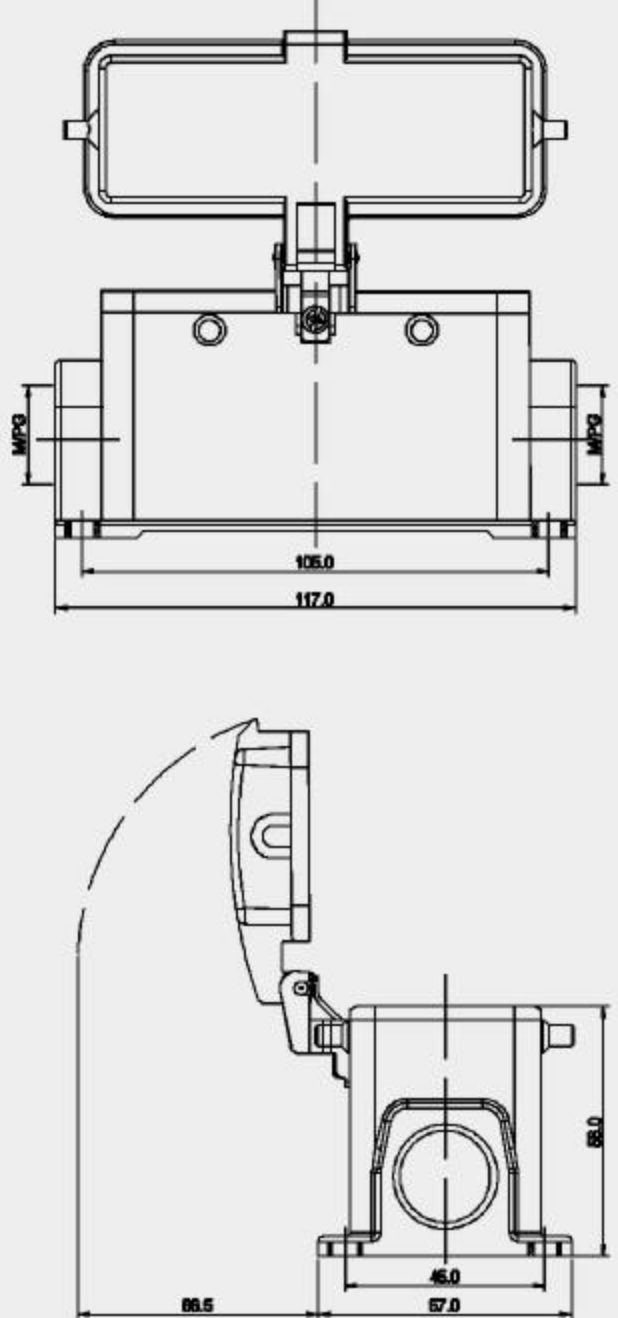

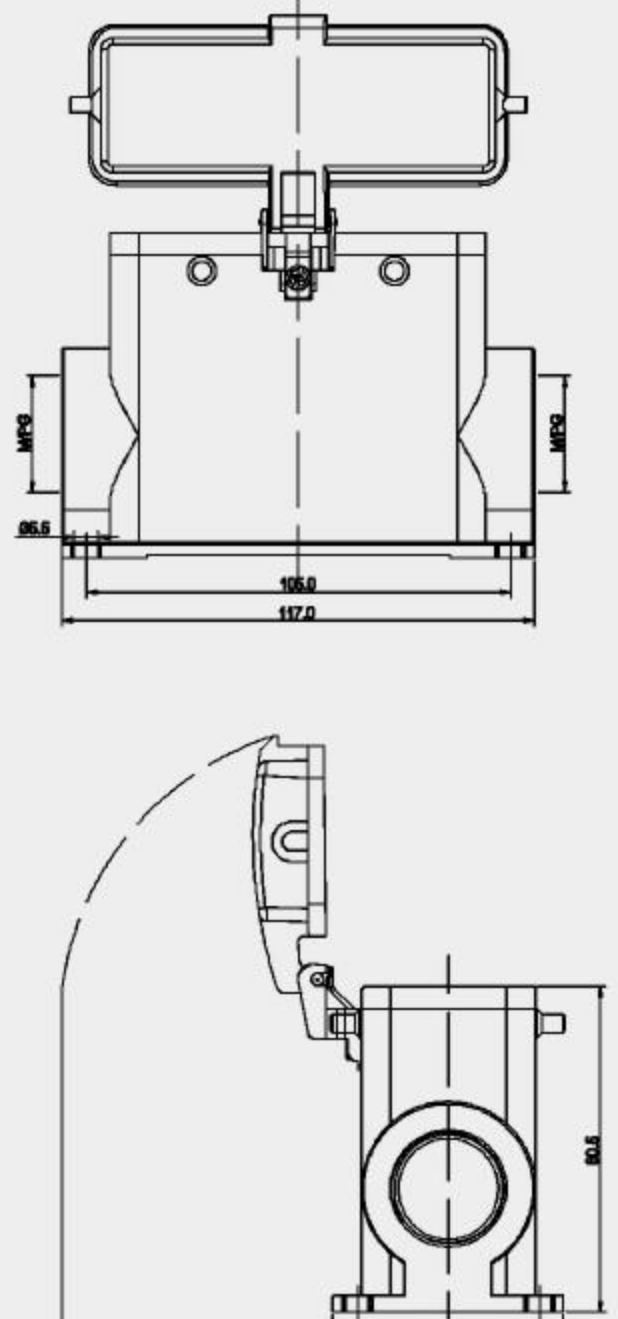
S16B金属外壳 (防护等级: IP65)/S16B metal enclosure (protection grade: IP65)

外壳 (Hoods&Housing)	描述(Description)	订货号(Part Number)	螺纹(Thread)	图纸(Drawing)
	下壳封底 高结构 (Housings, surface mounting high construction)	S16B-SMH-2LM-M25 S16B-SMH-2LM-2M25 S16B-SMH-2LM-M32 S16B-SMH-2LM-2M32 S16B-SMH-2LM-M40 S16B-SMH-2LM-2M40 S16B-SMH-2LM-PG21 S16B-SMH-2LM-2PG21 S16B-SMH-2LM-PG29 S16B-SMH-2LM-2PG29	M25 2M25 M32 2M32 M40 2M40 PG21 2PG21 PG29 2PG29	
	下壳 电缆对接 (Housings, cable to cable)	S16B-CC-2LM-M25 S16B-CC-2LM-M32 S16B-CC-2LM-PG21	M25 M32 PG21	
	下壳 电缆对接 高结构 (Housings, cable to cable high construction)	S16B-CCH-2LM-M25 S16B-CCH-2LM-M32 S16B-CCH-2LM-M40 S16B-CCH-2LM-PG21 S16B-CCH-2LM-PG29	M25 M32 M40 PG21 PG29	
	防护盖 (Protection)	带塑料盖 S16B-PC-4C		
	防护盖 (Protection)	带塑料盖/With plastic cover S16B-PC-4B/1S S16B-PC-4B/2S 带金属盖/With metal cover S16B-MC-4B/1S S16B-MC-4B/2S		

S16B金属外壳 (防护等级: IP65)/S16B metal enclosure (protection grade: IP65)

外壳 (Hoods&Housing)	描述(Description)	订货号(Part Number)	螺纹(Thread)	图纸(Drawing)
	上壳 侧出线 (Hoods, side entry)	S16B-SE-2LM-M25 S16B-SE-2LM-M32 S16B-SE-2LM-PG21	M25 M32 PG21	
	上壳 侧出线 高结构 (Hoods, side entry, high construction)	S16B-SEH-2LM-M25 S16B-SEH-2LM-M32 S16B-SEH-2LM-M40 S16B-SEH-2LM-PG21 S16B-SEH-2LM-PG29	M25 M32 M40 PG21 PG29	
	上壳 顶出线 (Hoods, top entry)	S16B-TE-2LM-M25 S16B-TE-2LM-M32 S16B-TE-2LM-PG21	M25 M32 PG21	
	上壳 顶出线 高结构 (Hoods, top entry, high construction)	S16B-TEH-2LM-M25 S16B-TEH-2LM-M32 S16B-TEH-2LM-M40 S16B-TEH-2LM-PG21 S16B-TEH-2LM-PG29	M25 M32 M40 PG21 PG29	
	下壳 不封底 (Housings, bulkhead mounting)	S16B-BM-4B 带塑料盖/With plastic cover S16B-BM-4B-PC 带金属盖/With metal cover S16B-BM-4B-MC		


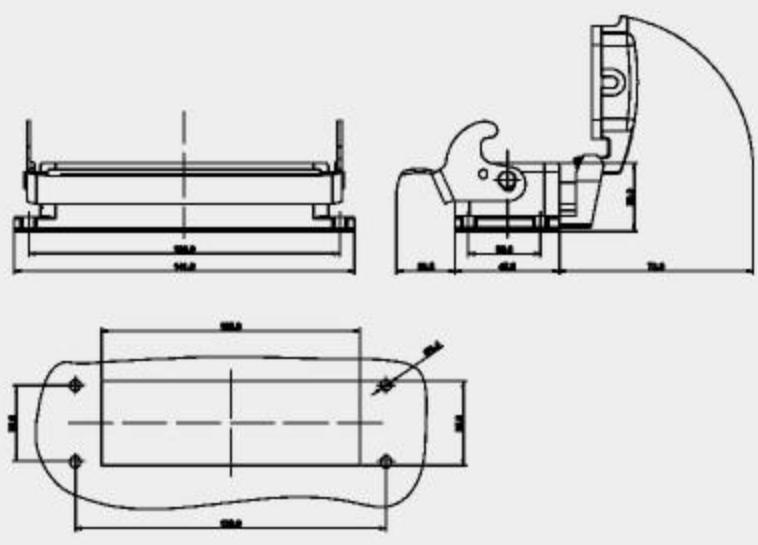

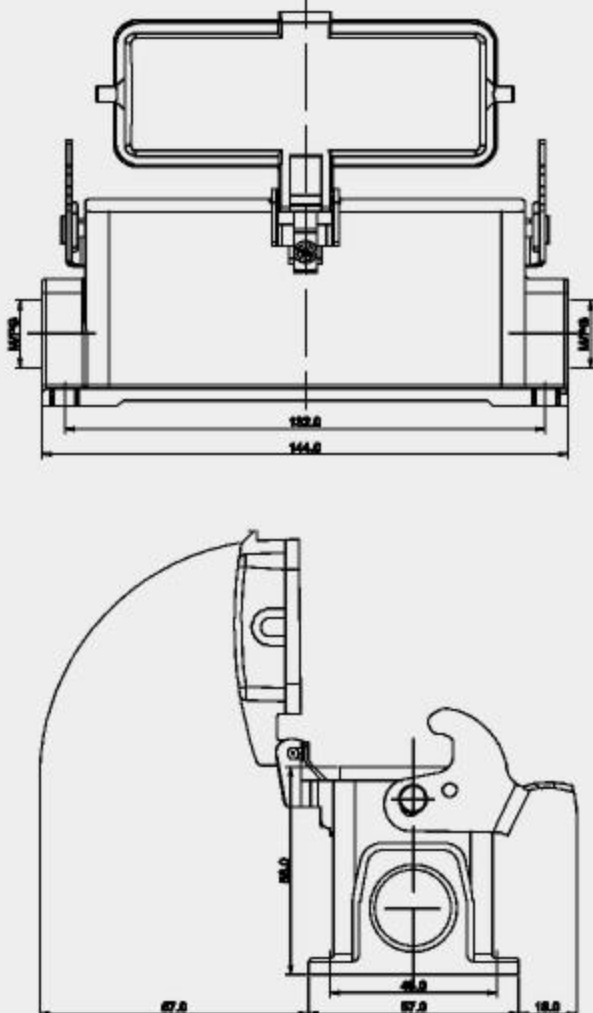

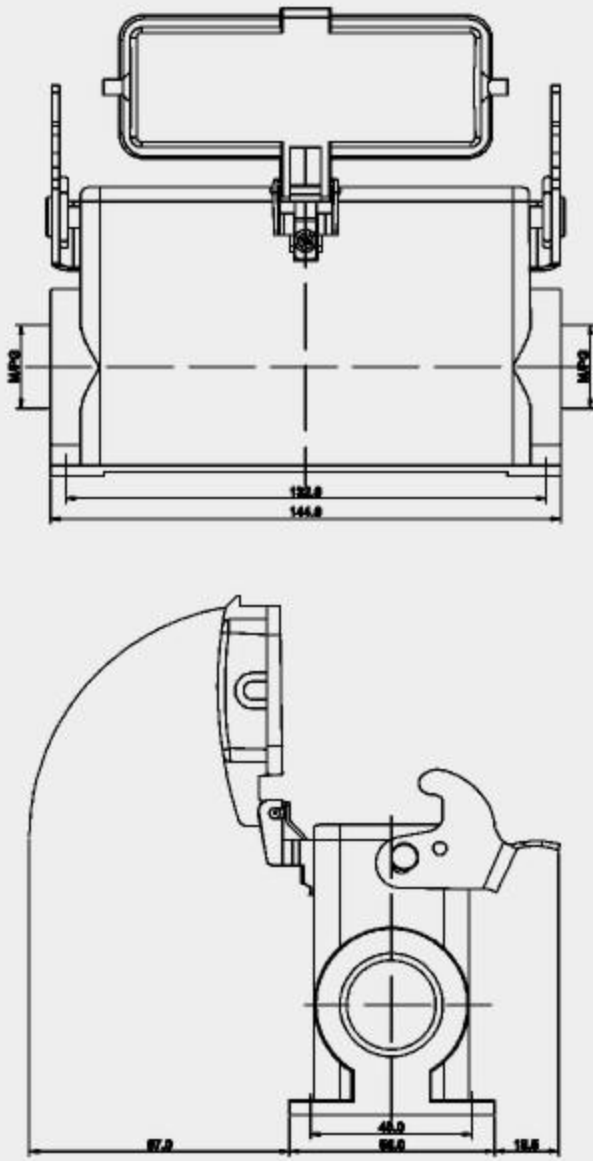
S16B金属外壳 (防护等级: IP65)/S16B metal enclosure (protection grade: IP65)

外壳 (Hoods&Housing)	描述(Description)	订货号(Part Number)	螺纹(Thread)	图纸(Drawing)
	下壳封底 (Housings, surface mounting)	S16B-SM-4B-M25 S16B-SM-4B-2M25 S16B-SM-4B-PG21 S16B-SM-4B-2PG21 带塑料盖/With plastic cover S16B-SM-4B-M25-PC S16B-SM-4B-2M25-PC S16B-SM-4B-PG21-PC S16B-SM-4B-2PG21-PC 带金属盖/With metal cover S16B-SM-4B-M25-MC S16B-SM-4B-2M25-MC S16B-SM-4B-PG21-MC S16B-SM-4B-2PG21-MC	M25 2M25 Pg21 2PG21	
	下壳封底 高结构 (Housings, surface mounting high construction)	S16B-SMH-4B-M32 S16B-SMH-4B-2M32 S16B-SMH-4B-PG21 S16B-SMH-4B-2PG21 S16B-SMH-4B-PG29 S16B-SMH-4B-2PG29 带塑料盖/With plastic cover S16B-SMH-4B-M32-PC S16B-SMH-4B-2M32-PC S16B-SMH-4B-PG21-PC S16B-SMH-4B-2PG21-PC S16B-SMH-4B-PG29-PC S16B-SMH-4B-2PG29-PC 带金属盖/With metal cover S16B-SMH-4B-M32-MC S16B-SMH-4B-2M32-MC S16B-SMH-4B-PG21-MC S16B-SMH-4B-2PG21-MC S16B-SMH-4B-PG29-MC S16B-SMH-4B-2PG29-MC	M32 2M32 PG21 2PG21 PG29 2PG29	

S24B金属外壳 (防护等级: IP65)/S24B metal enclosure (protection grade: IP65)

外壳 (Hoods&Housing)	描述(Description)	订货号(Part Number)	螺纹(Thread)	图纸(Drawing)
	上壳侧出线 (Hoods, side entry)	S24B-SE-2B-M25 S24B-SE-2B-M32 S24B-SE-2B-PG21	M25 M32 PG21	
	上壳侧出线 高结构 (Hoods, side entry, high construction)	S24B-SEH-2B-M32 S24B-SEH-2B-M40 S24B-SEH-2B-PG21 S24B-SEH-2B-PG29	M32 M40 PG21 PG29	
	上壳顶出线 (Hoods, top entry)	S24B-TE-2B-M25 S24B-TE-2B-M32 S24B-TE-2B-PG21	M25 M32 PG21	
	上壳顶出线 高结构 (Hoods, top entry, high construction)	S24B-TEH-2B-M32 S24B-TEH-2B-M40 S24B-TEH-2B-PG21 S24B-TEH-2B-PG29	M32 M40 PG21 PG29	
	下壳电缆对接 (Housings, cable to cable)	S24B-CC-1L.M-M25 S24B-CC-1L.M-M32 S24B-CC-1L.M-PG21	M25 M32 PG21	
	下壳电缆对接 高结构 (Housings, cable to cable high construction)	S24B-CCH-1L.M-M32 S24B-CCH-1L.M-M40 S24B-CCH-1L.M-PG21 S24B-CCH-1L.M-PG29	M32 M40 PG21 PG29	


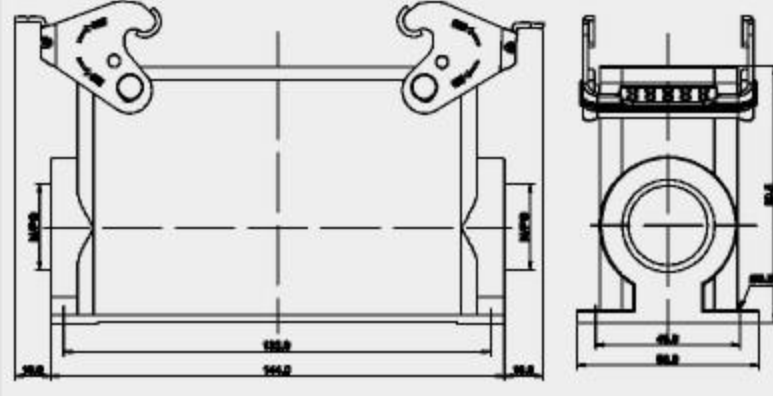

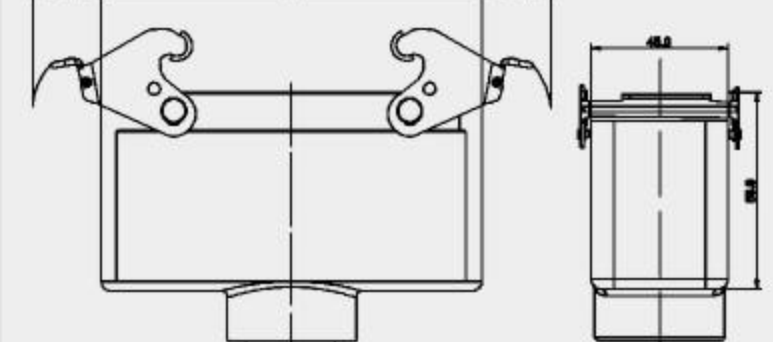

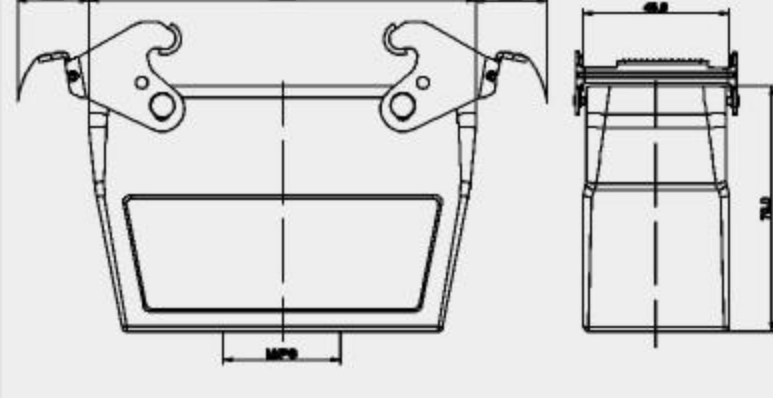

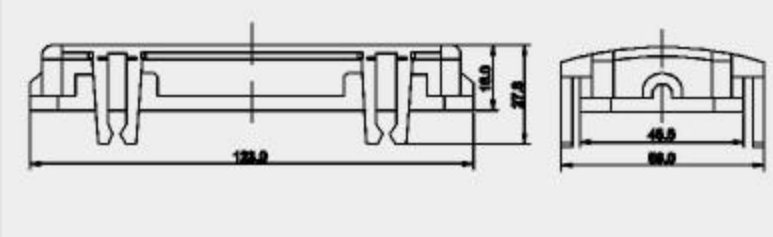

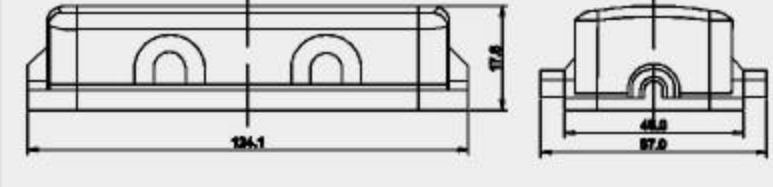
S24B金属外壳 (防护等级: IP65)/S24B metal enclosure (protection grade: IP65)

外壳 (Hoods&Housing)	描述(Description)	订货号(Part Number)	螺纹(Thread)	图纸(Drawing)
	下壳 不封底 (Housings, bulkhead mounting)	S24B-BM-1LM 带塑料盖/With plastic cover S24B-BM-1LM-PC 带金属盖/With metal cover S24B-BM-1LM-MC		
	下壳 封底 (Housings, surface mounting)	S24B-SM-1LM-M25 S24B-SM-1LM-2M25 S24B-SM-1LM-PG21 S24B-SM-1LM-2PG21 带塑料盖/With plastic cover S24B-SM-1LM-M25-PC S24B-SM-1LM-2M25-PC S24B-SM-1LM-PG21-PC S24B-SM-1LM-2PG21-PC 带金属盖/With metal cover S24B-SM-1LM-M25-MC S24B-SM-1LM-2M25-MC S24B-SM-1LM-PG21-MC S24B-SM-1LM-2PG21-MC	M25 2M25 PG21 2PG21	
	下壳 封底 高结构 (Housings, surface mounting high construction)	S24B-SMH-1LM-M32 S24B-SMH-1LM-2M32 S24B-SMH-1LM-PG21 S24B-SMH-1LM-2PG21 S24B-SMH-1LM-PG29 S24B-SMH-1LM-2PG29 带塑料盖/With plastic cover S24B-SMH-1LM-M32-PC S24B-SMH-1LM-2M32-PC S24B-SMH-1LM-PG21-PC S24B-SMH-1LM-2PG21-PC S24B-SMH-1LM-PG29-PC S24B-SMH-1LM-2PG29-PC 带金属盖/With metal cover S24B-SMH-1LM-M32-MC S24B-SMH-1LM-2M32-MC S24B-SMH-1LM-PG21-MC S24B-SMH-1LM-2PG21-MC S24B-SMH-1LM-PG29-MC S24B-SMH-1LM-2PG29-MC	M32 2M32 PG21 2PG21 PG29 2PG29	


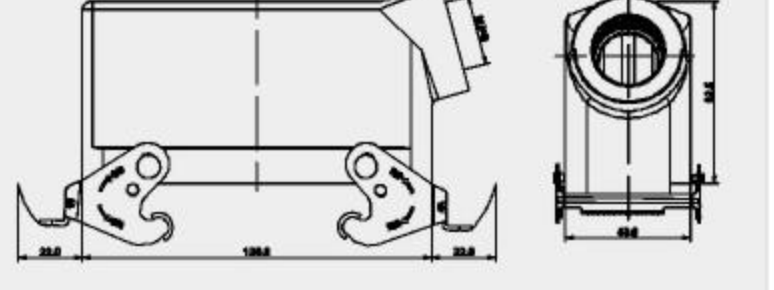

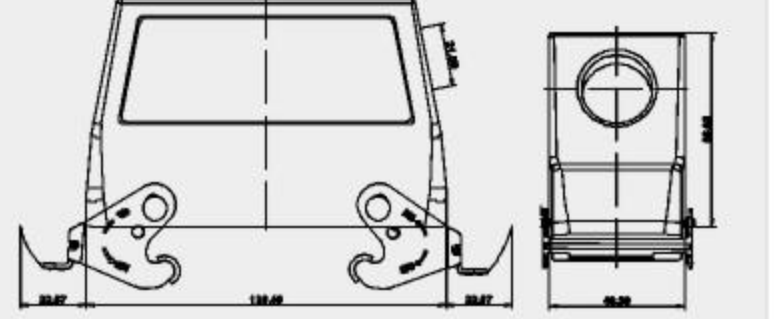

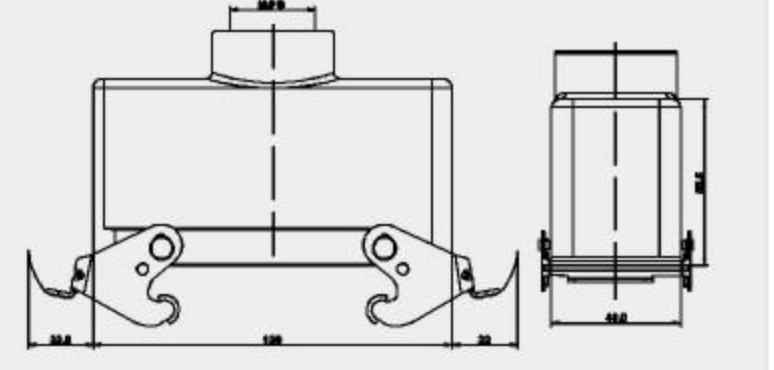

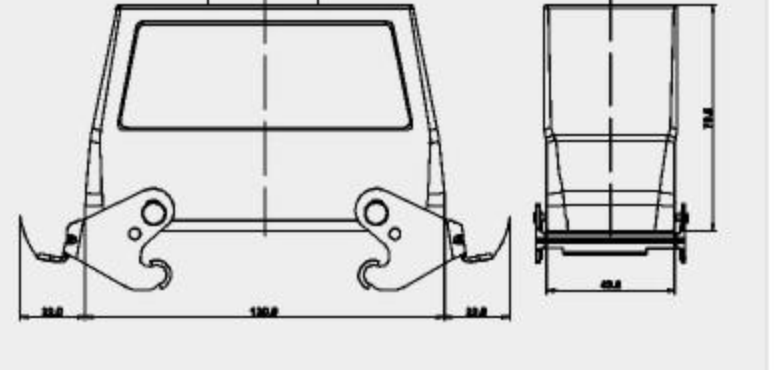

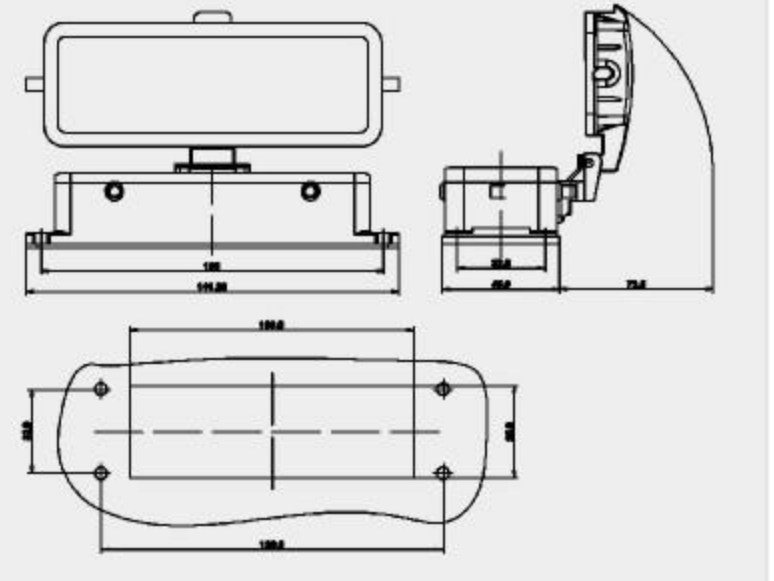
S24B金属外壳 (防护等级: IP65)/S24B metal enclosure (protection grade: IP65)

外壳 (Hoods&Housing)	描述(Description)	订货号(Part Number)	螺纹(Thread)	图纸(Drawing)
	上壳 侧出线 (Hoods,side entry)	S24B-SE-4B-M25 S24B-SE-4B-M32 S24B-SE-4B-PG21	M25 M32 PG21	
	上壳 侧出线 高结构 (Hoods, side entry,high construction)	S24B-SEH-4B-M25 S24B-SEH-4B-M32 S24B-SEH-4B-M40 S24B-SEH-4B-PG21 S24B-SEH-4B-PG29	M25 M32 M40 PG21 PG29	
	上壳 顶出线 (Hoods,top entry)	S24B-TE-4B-M25 S24B-TE-4B-M32 S24B-TE-4B-PG21	M25 M32 PG21	
	上壳 顶出线 高结构 (Hoods, top entry,high construction)	S24B-TEH-4B-M25 S24B-TEH-4B-M32 S24B-TEH-4B-M40 S24B-TEH-4B-PG21 S24B-TEH-4B-PG29	M25 M32 M40 PG21 PG29	
	下壳 不封底 (Housings, bulkhead mounting)	S24B-BM-2LM		
	下壳 封底 (Housings, surface mounting)	S24B-SM-2LM-M25 S24B-SM-2LM-2M25 S24B-SM-2LM-PG21 S24B-SM-2LM-2PG21	M25 M25 PG21 PG21	


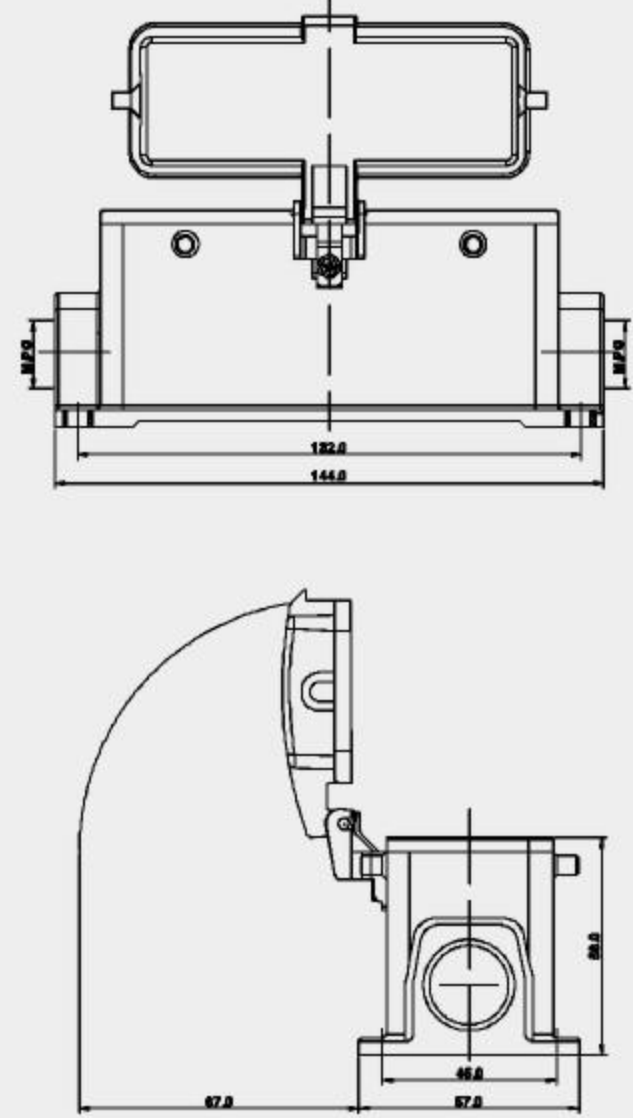

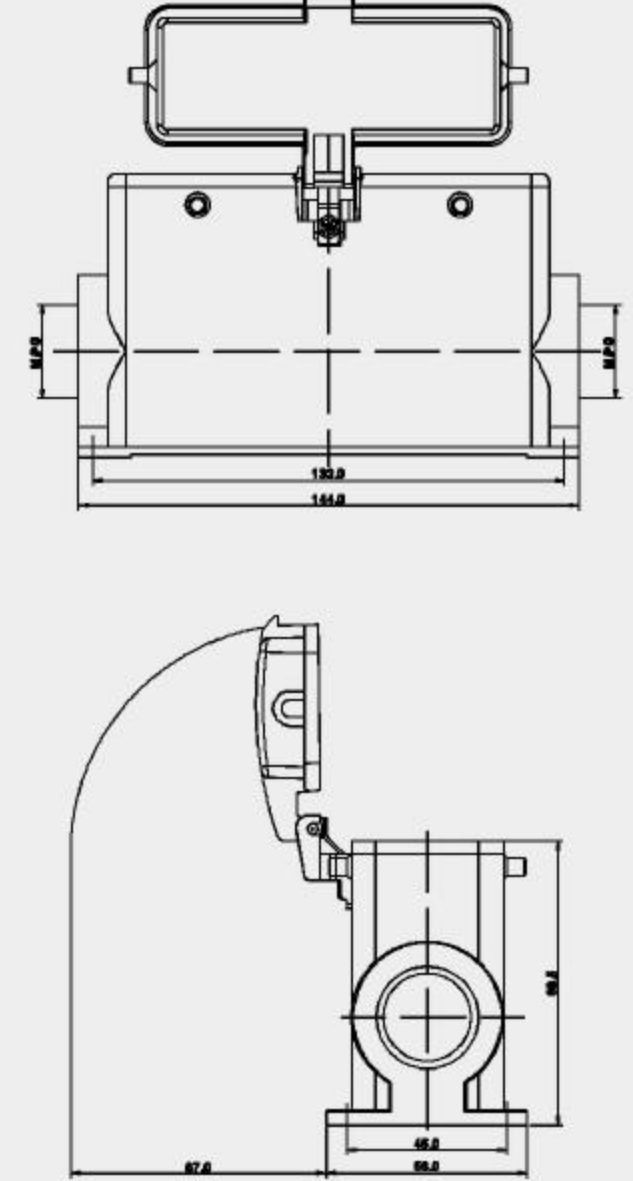
S24B金属外壳 (防护等级: IP65)/S24B metal enclosure (protection grade: IP65)

外壳 (Hoods&Housing)	描述(Description)	订货号(Part Number)	螺纹(Thread)	图纸(Drawing)
	下壳 封底 高结构 (Housings, surface mounting high construction)	S24B-SMH-2L.M-M32 S24B-SMH-2L.M-2M32 S24B-SMH-2L.M-M40 S24B-SMH-2L.M-2M40 S24B-SMH-2L.M-PG21 S24B-SMH-2L.M-2PG21 S24B-SMH-2L.M-PG29 S24B-SMH-2L.M-2PG29	M32 2M32 M40 2M40 PG21 2PG21 PG29 2PG29	
	下壳 电缆对接 (Housings, cable to cable)	S24B-CC-2L.M-M25 S24B-CC-2L.M-M32 S24B-CC-2L.M-PG21	M25 M32 PG21	
	下壳 电缆对接 高结构 (Housings, cable to cable high construction)	S24B-CCH-2L.M-M32 S24B-CCH-2L.M-M40 S24B-CCH-2L.M-PG21 S24B-CCH-2L.M-PG29	M32 M40 PG21 PG29	
	防护盖 (Protection)	带塑料盖 S24B-PC-4C		
	防护盖 (Protection)	带塑料盖/With plastic cover S24B-PC-4B/1S S24B-PC-4B/2S 带金属盖/With metal cover S24B-MC-4B/1S S24B-MC-4B/2S		


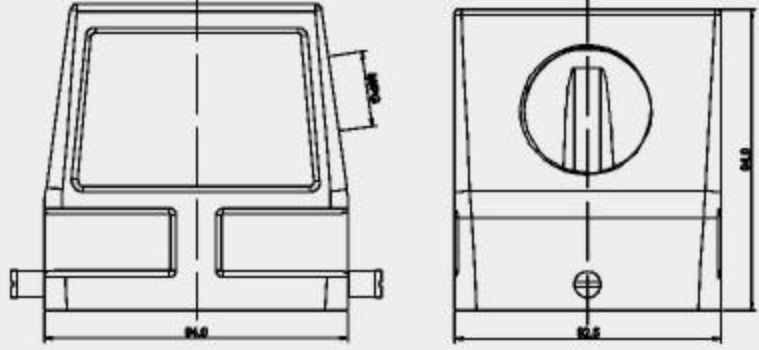

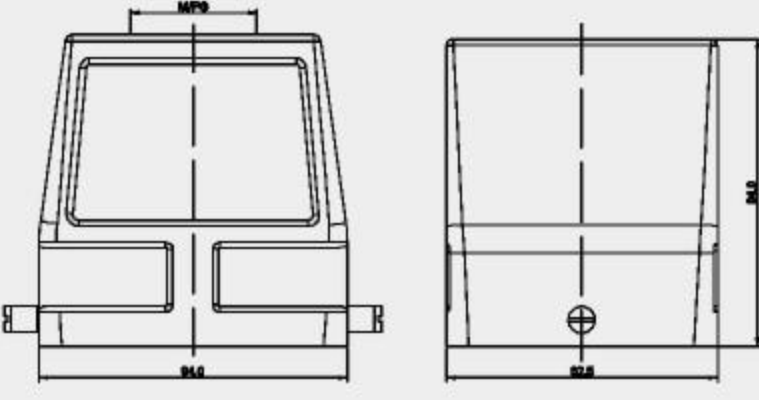

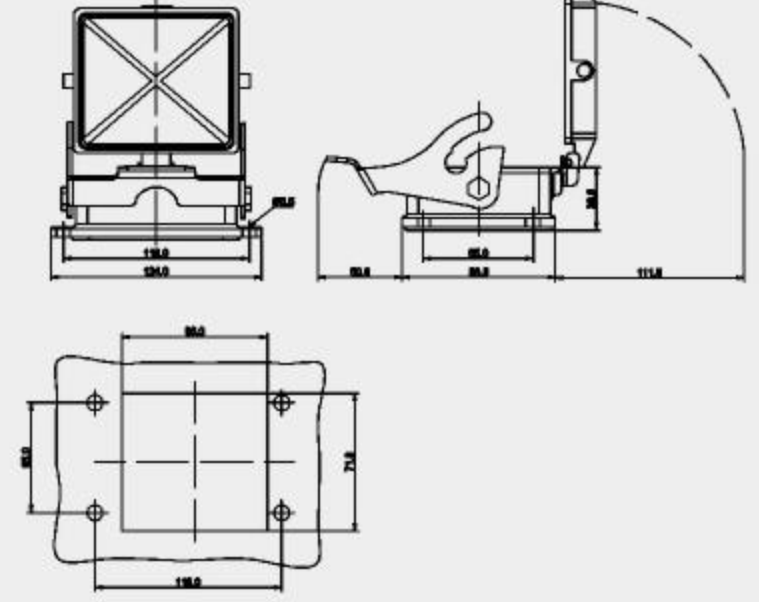

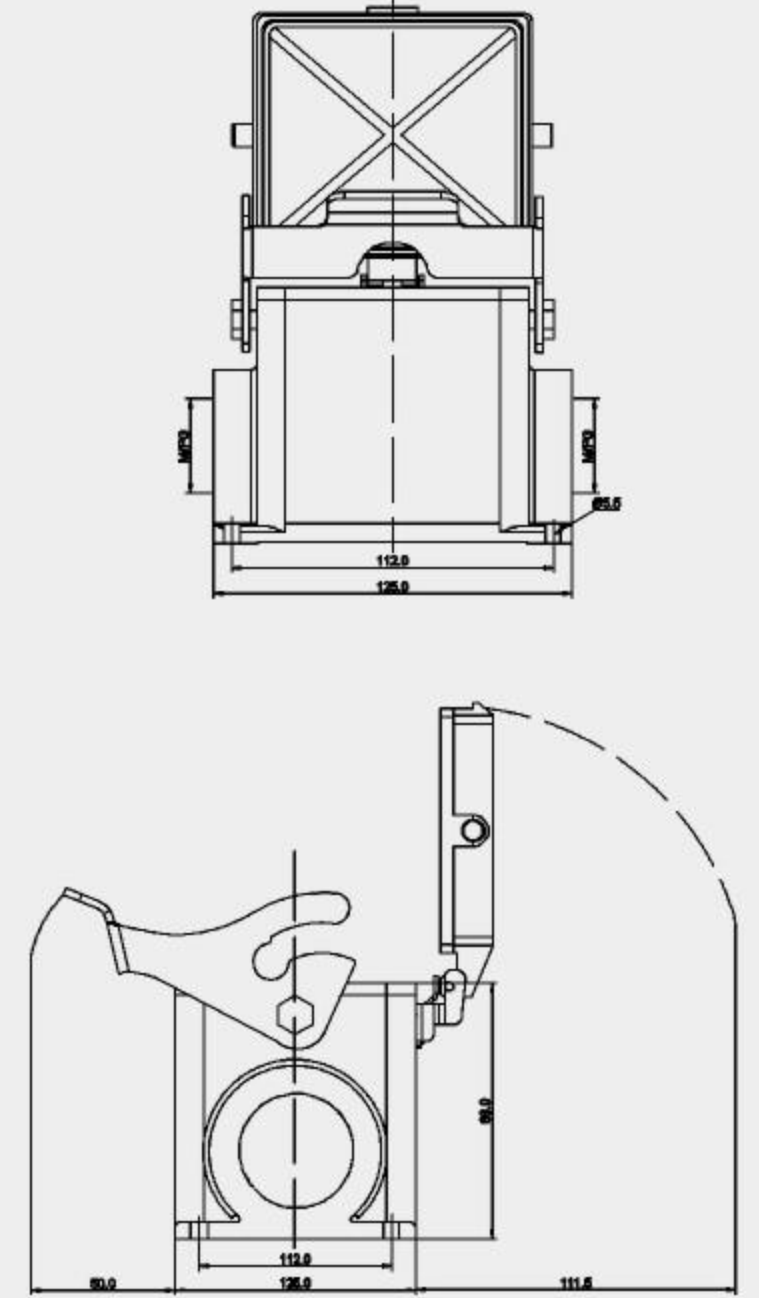
S24B金属外壳 (防护等级: IP65)/S24B metal enclosure (protection grade: IP65)

外壳 (Hoods&Housing)	描述(Description)	订货号(Part Number)	螺纹(Thread)	图纸(Drawing)
	上壳 侧出线 (Hoods, side entry)	S24B-SE-2L.M-M25 S24B-SE-2L.M-M32 S24B-SE-2L.M-PG21	M25 M32 PG21	
	上壳 侧出线 高结构 (Hoods, side entry, high construction)	S24B-SEH-2L.M-M32 S24B-SEH-2L.M-M40 S24B-SEH-2L.M-PG21 S24B-SEH-2L.M-PG29	M32 M40 PG21 PG29	
	上壳 顶出线 (Hoods, top entry)	S24B-TE-2L.M-M25 S24B-TE-2L.M-M32 S24B-TE-2L.M-PG21	M25 M32 PG21	
	上壳 顶出线 高结构 (Hoods, top entry, high construction)	S24B-TEH-2L.M-M32 S24B-TEH-2L.M-M40 S24B-TEH-2L.M-PG21 S24B-TEH-2L.M-PG29	M32 M40 PG21 PG29	
	下壳 不封底 (Housings, bulkhead mounting)	S24B-BM-4B 带塑料盖/With plastic cover S24B-BM-4B-PC 带金属盖/With metal cover S24B-BM-4B-MC		

S24B金属外壳 (防护等级: IP65)/S24B metal enclosure (protection grade: IP65)

外壳 (Hoods&Housing)	描述(Description)	订货号(Part Number)	螺纹(Thread)	图纸(Drawing)
	下壳封底 (Housings, surface mounting)	S24B-SM-4B-M25 S24B-SM-4B-2M25 S24B-SM-4B-PG21 S24B-SM-4B-2PG21 带塑料盖/With plastic cover S24B-SM-4B-PC-M25 S24B-SM-4B-PC-2M25 S24B-SM-4B-PC-PG21 S24B-SM-4B-PC-2PG21 带金属盖/With metal cover S24B-SM-4B-MC-M25 S24B-SM-4B-MC-2M25 S24B-SM-4B-MC-PG21 S24B-SM-4B-MC-2PG21	M25 2M25 PG21 2PG21	
	下壳封底 高结构 (Housings, surface mounting high construction)	S24B-SMH-4B-M32 S24B-SMH-4B-2M32 S24B-SMH-4B-PG21 S24B-SMH-4B-2PG21 S24B-SMH-4B-PG29 S24B-SMH-4B-2PG29 带塑料盖/With plastic cover S24B-SMH-4B-M32-PC S24B-SMH-4B-2M32-PC S24B-SMH-4B-PG21-PC S24B-SMH-4B-2PG21-PC S24B-SMH-4B-PG29-PC S24B-SMH-4B-2PG29-PC 带金属盖/With metal cover S24B-SMH-4B-M32-MC S24B-SMH-4B-2M32-MC S24B-SMH-4B-PG21-MC S24B-SMH-4B-2PG21-MC S24B-SMH-4B-PG29-MC S24B-SMH-4B-2PG29-MC	M32 2M32 PG21 2PG21 PG29 2PG29	


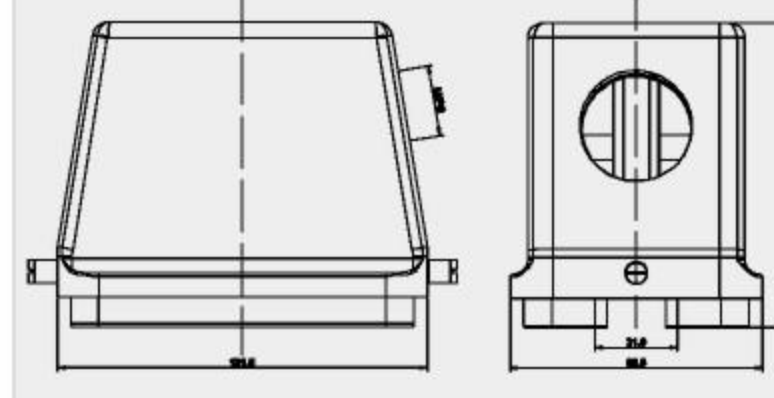

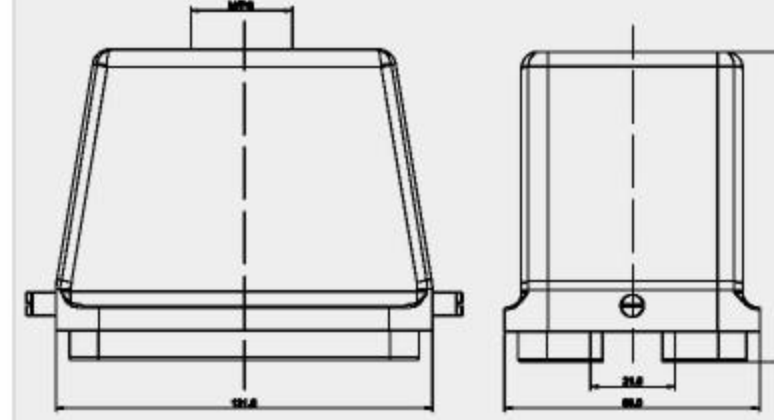

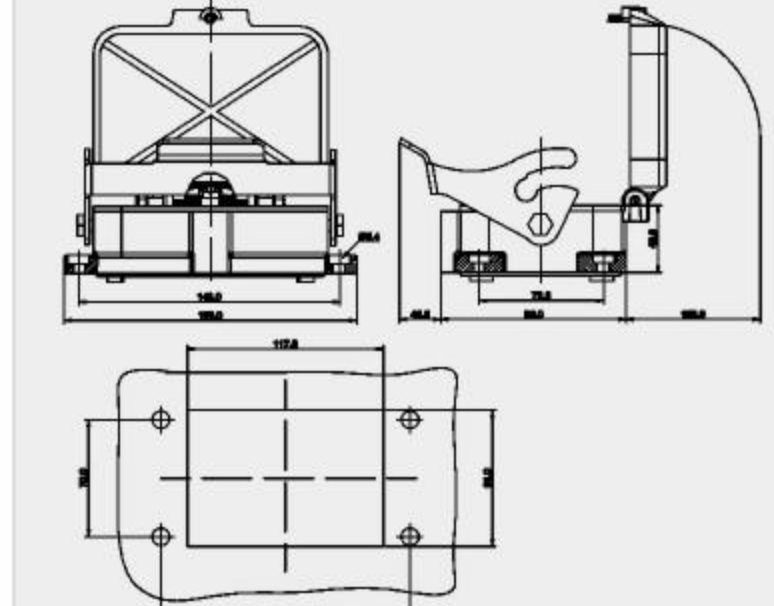

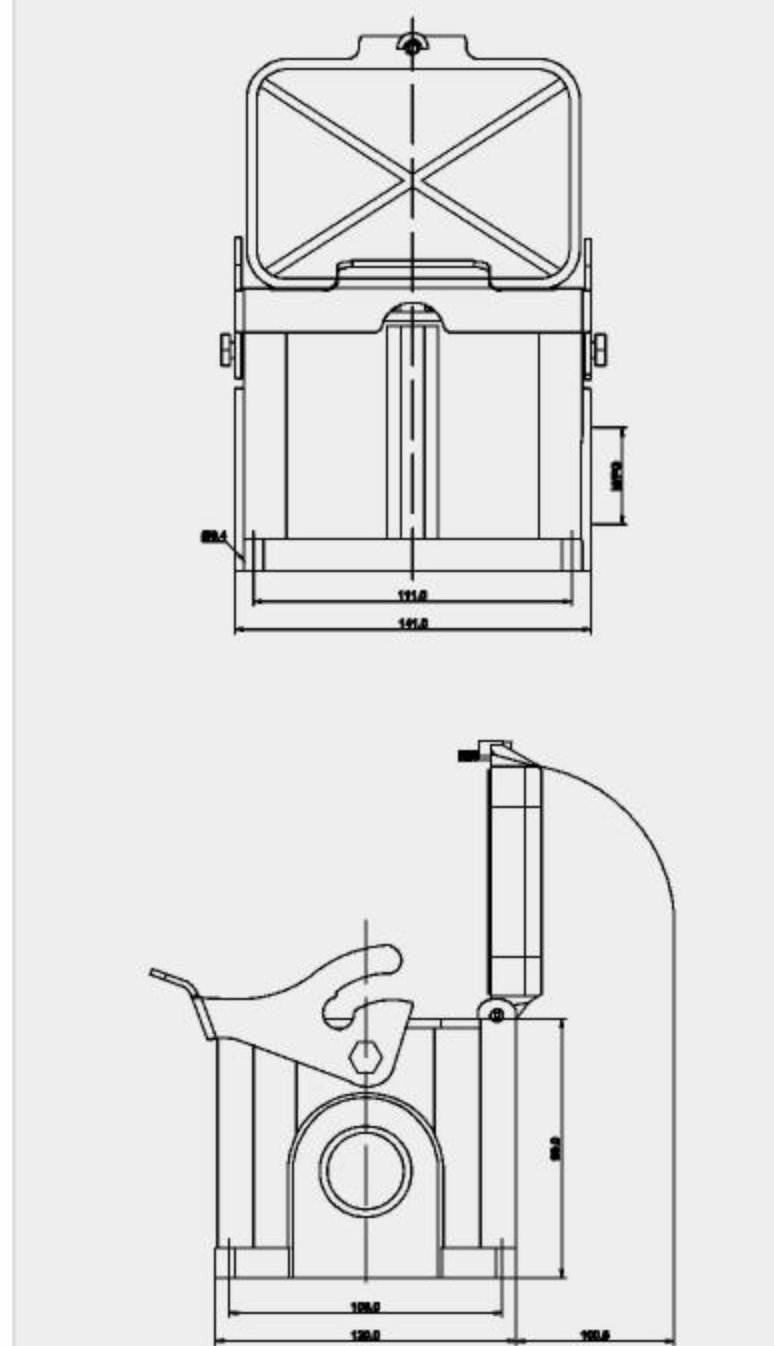
S32B金属外壳 (防护等级: IP65)/S32B metal enclosure (protection grade: IP65)

外壳 (Hoods&Housing)	描述(Description)	订货号(Part Number)	螺纹(Thread)	图纸(Drawing)
	上壳侧出线 (Hoods, side entry)	S32B-SE-2B-M32 S32B-SE-2B-M40 S32B-SE-2B-M50 S32B-SE-2B-PG29 S32B-SE-2B-PG36 S32B-SE-2B-PG42	M32 M40 M50 PG29 PG36 PG42	
	上壳顶出线 (Hoods, top entry)	S32B-TE-2B-M32 S32B-TE-2B-M40 S32B-TE-2B-M50 S32B-TE-2B-PG29 S32B-TE-2B-PG36 S32B-TE-2B-PG42	M32 M40 M50 PG29 PG36 PG42	
	下壳不封底 (Housings, bulkhead mounting)	S32B-BM-1L.M 带塑料盖/With plastic cover S32B-BM-1L.M-PC		
	下壳封底 (Housings, surface mounting)	S32B-SM-1L.M-M32 S32B-SM-1L.M-2M32 S32B-SM-1L.M-M40 S32B-SM-1L.M-2M40 S32B-SM-1L.M-PG29 S32B-SM-1L.M-2PG29 S32B-SM-1L.M-PG36 S32B-SM-1L.M-2PG36 带塑料盖/With plastic cover S32B-SM-1L.M-M32-PC S32B-SM-1L.M-2M32-PC S32B-SM-1L.M-M40-PC S32B-SM-1L.M-2M40-PC S32B-SM-1L.M-PG29-PC S32B-SM-1L.M-2PG29-PC S32B-SM-1L.M-PG36-PC S32B-SM-1L.M-2PG36-PC 带金属盖/With metal cover S32B-SM-1L.M-M32-MC S32B-SM-1L.M-2M32-MC S32B-SM-1L.M-M40-MC S32B-SM-1L.M-2M40-MC S32B-SM-1L.M-PG29-MC S32B-SM-1L.M-2PG29-MC S32B-SM-1L.M-PG36-MC S32B-SM-1L.M-2PG36-MC	M32 2M32 M40 2M40 PG29 2PG29 PG36 2PG36	

S32B金属外壳 (防护等级: IP65)/S32B metal enclosure (protection grade: IP65)

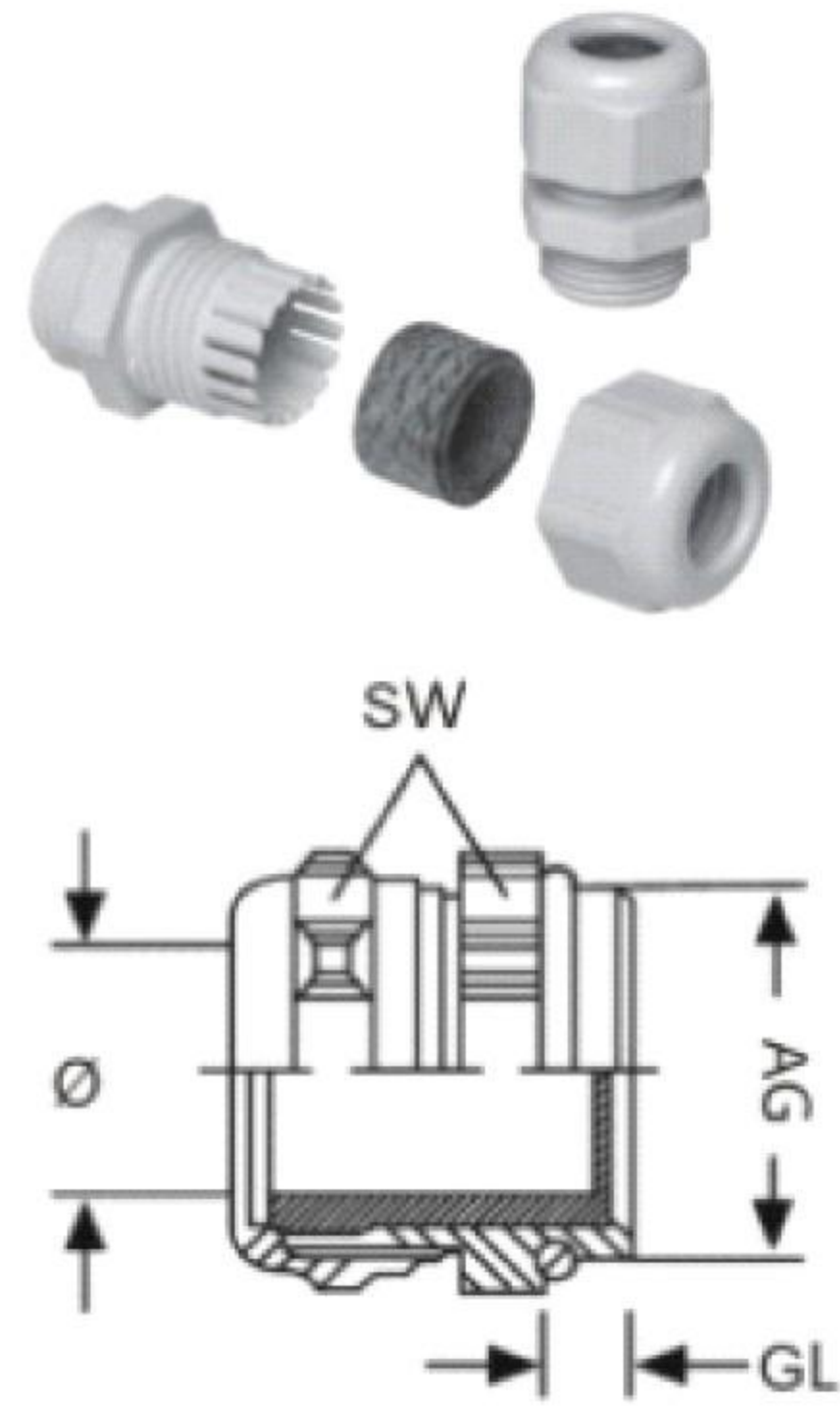
外壳 (Hoods&Housing)	描述(Description)	订货号(Part Number)	螺纹(Thread)	图纸(Drawing)
	上壳 侧出线 (Hoods,side entry)	S32B-SE-4B-M32 S32B-SE-4B-M40 S32B-SE-4B-M50 S32B-SE-4B-PG29 S32B-SE-4B-PG36 S32B-SE-4B-PG42	M32 M40 M50 PG29 PG36 PG42	
	上壳 顶出线 (Hoods,top entry)	S32B-TE-4B-M32 S32B-TE-4B-M40 S32B-TE-4B-M50 S32B-TE-4B-PG29 S32B-TE-4B-PG36 S32B-TE-4B-PG42	M32 M40 M50 PG29 PG36 PG42	
	下壳 不封底 (Housings, bulkhead mounting)	S32B-BM-2L.M		
	下壳 封底 高结构 (Housings, surface mounting high construction)	S32B-SFH-2L.M-M32 S32B-SFH-2L.M-2M32 S32B-SFH-2L.M-M40 S32B-SFH-2L.M-2M40 S32B-SFH-2L.M-PG29 S32B-SFH-2L.M-2PG29 S32B-SFH-2L.M-PG36 S32B-SFH-2L.M-2PG36 S32B-SFH-2L.M-PG42 S32B-SFH-2L.M-2PG42	M32 2M32 M40 2M40 PG29 2PG29 PG36 2PG36 PG42 2PG42	
	下壳 电缆对接 (Housings, cable to cable)	S32B-CCT-2L.M-M32 S32B-CCT-2L.M-M40 S32B-CCT-2L.M-M50 S32B-CCT-2L.M-PG29 S32B-CCT-2L.M-PG36 S32B-CCT-2L.M-PG42	M32 M40 M50 PG29 PG36 PG42	

S48B金属外壳 (防护等级: IP65)/S48B metal enclosure (protection grade: IP65)

外壳 (Hoods&Housing)	描述(Description)	订货号(Part Number)	螺纹(Thread)	图纸(Drawing)
	上壳 侧出线 (Hoods,side entry)	S32B-SE-2B-M32 S32B-SE-2B-M40 S32B-SE-2B-M50 S32B-SE-2B-PG29 S32B-SE-2B-PG36 S32B-SE-2B-PG42	M32 M40 M50 PG29 PG36 PG42	
	上壳 顶出线 (Hoods,top entry)	S32B-TE-2B-M32 S32B-TE-2B-M40 S32B-TE-2B-M50 S32B-TE-2B-PG29 S32B-TE-2B-PG36 S32B-TE-2B-PG42	M32 M40 M50 PG29 PG36 PG42	
	下壳 不封底 (Housings, bulkhead mounting)	S48B-BM-1L.M 带塑料盖/With plastic cover S48B-BM-1L.M-PC 带金属盖/With metal cover S48B-BM-1L.M-MC		
	下壳 封底 (Housings, surface mounting)	S48B-SM-1L.M-M32 S48B-SM-1L.M-2M32 S48B-SM-1L.M-M40 S48B-SM-1L.M-2M40 S48B-SM-1L.M-PG29 S48B-SM-1L.M-2PG29 S48B-SM-1L.M-PG36 S48B-SM-1L.M-2PG36 带塑料盖/With plastic cover S48B-SM-1L.M-M32-PC S48B-SM-1L.M-2M32-PC S48B-SM-1L.M-M40-PC S48B-SM-1L.M-2M40-PC S48B-SM-1L.M-PG29-PC S48B-SM-1L.M-2PG29-PC S48B-SM-1L.M-PG36-PC S48B-SM-1L.M-2PG36-PC 带金属盖/With metal cover S48B-SM-1L.M-M32-MC S48B-SM-1L.M-2M32-MC S48B-SM-1L.M-M40-MC S48B-SM-1L.M-2M40-MC S48B-SM-1L.M-PG29-MC S48B-SM-1L.M-2PG29-MC S48B-SM-1L.M-PG36-MC S48B-SM-1L.M-2PG36-MC	M32 2M32 M40 2M40 PG29 2PG29 PG36 2PG36	

电缆接头/Cable gland

塑料电缆接头/Plastics Cable gland
 材料Material Science : 尼龙
 Material Science : nylon
 密封件 : 丁晴橡胶
 Sealing element : NBR
 防护等级/Protection level : IP68
 温度范围/temperature range :
 静态(Static)-40°C ~ 100°C
 动态(Dynamic)-20°C ~ 80°C



螺纹规格 Thread	卡扣范围 Claping range	螺纹外径 AG	扳手尺寸 SW	螺纹长度 GL	订货号 Order NO
M公制螺纹/Metric					
M12x1.5	3-6.5	12	18.7	7	SFCG-M12-6.5-P
M16x1.5	4-8	16	19	8	SFCG-M16-8-P
M18x1.5	5-10	18	22	8	SFCG-M18-10-P
M20x1.5	5-10	20	24	10	SFCG-M20-10-P
M20x1.5	6-12	20	24	10	SFCG-M20-12-P
M22x1.5	10-14	22	27	10	SFCG-M22-14-P
M25x1.5	13-18	25	33	11	SFCG-M25-18-P
M32x1.5	18-25	32	42	11	SFCG-M32-25-P
M40x1.5	22-32	40	52	13	SFCG-M40-32-P
PG制螺纹/PG Thread					
PG7	3-6.5	12.5	15	8	SFCG-PG7-6.5-P
PG9	4-8	15.2	19	8	SFCG-PG9-8-P
PG11	5-10	18.3	22	8	SFCG-PG11-10-P
PG13.5	6-12	20.4	24	10	SFCG-PG13.5-12-P
PG16	8-14	22.5	27	10	SFCG-PG16-14-P
PG21	13-18	28.3	33	11	SFCG-PG21-18-P
PG29	18-25	37	42	11	SFCG-PG29-25-P
PG36	22-32	47	52	13	SFCG-PG36-32-P

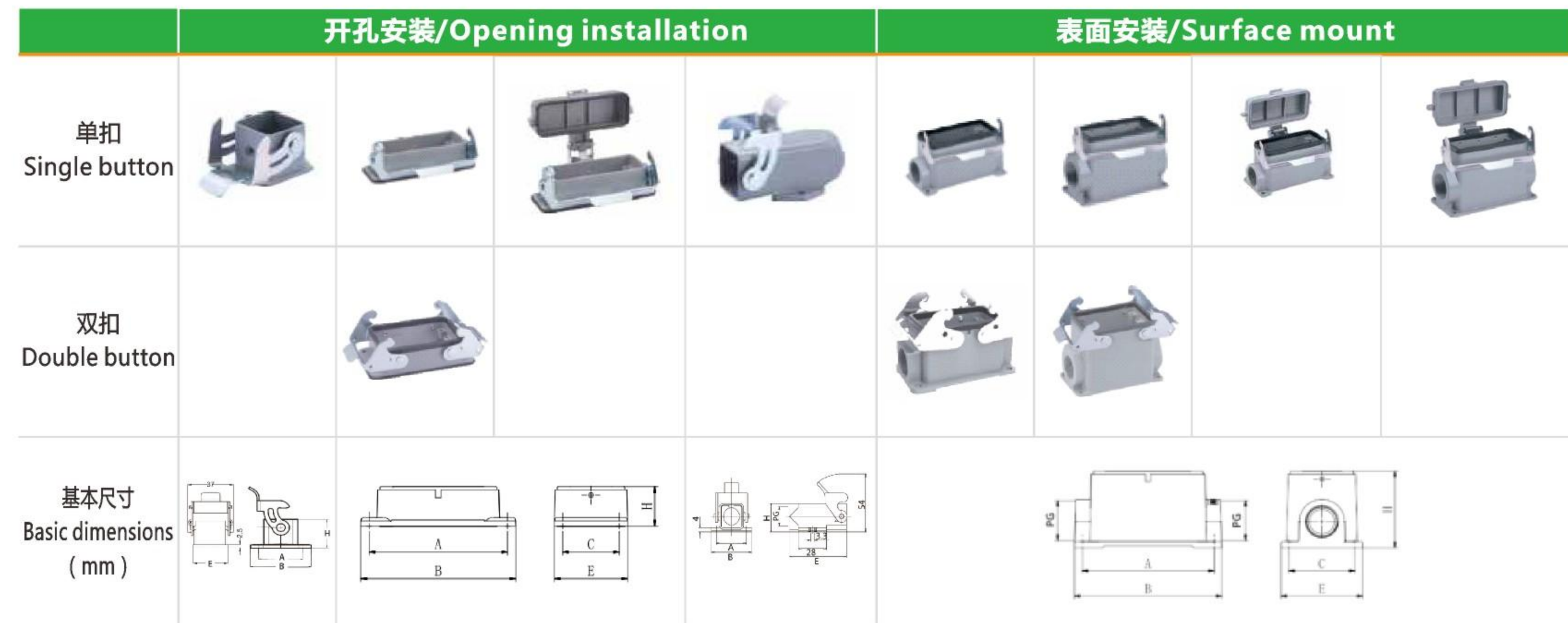
Crimp contacts tools

Cramping tool	Removal tool(10A)	Removal tool(16A)	Removal tool(40A)
订货号(Order NO) : SL-4.0	订货号(Order NO) : ST-10A	订货号(Order NO) : ST-16A	订货号(Order NO) : ST-40A
压接线径The diameter of the cramping wire : 0.5-4.0mm²(AWG 20-12)	适用于Applicable to : 10A冷压针(Cold pressing needle)	适用于Applicable to : 16A冷压针(Cold pressing needle)	适用于Applicable to : 40A冷压针(Cold pressing needle)

上壳-M/Upper shell-M 防护等级 : IP65/IP67/Protection grade: IP65/IP67

	开孔安装/Opening installation				表面安装/Surface mount		
单扣 Single button							
双扣 Double button							
基本尺寸 Basic dimensions (mm)							

系列 Series	A	B	C	E	H	订货号 Order NO		A	B	C	E	H	订货号 Order NO	
						单扣Single button	双扣Double button						单扣Single button	双扣Double button
S3A	27	27	54.5	M20	PG11	S3A-SE-2B		27	27	60	M20	PG11	S3A-TE-2B	
S10A	63	29.5	61.5	M20	PG16	S10A-SE-2B		63.5	29.5	48	M20	PG13.5	S10A-TE-2B	
	63.5	29.5	67	M25	PG16	S10A-SEH-2B		63.5	29.5	67	M25	PG16	S10A-TEH-2B	
S16A	80	29.5	61.5	M20	PG16	S16A-SE-2B		79.5	29.5	48	M20	PG16	S16A-EH-2B	
	80	29.8	70	M25	PG16	S16A-SEH-2B		80	29.8	70	M25	PG16	S16A-TEH-2B	
S32A	82	56	59.5	M25	PG21		S32A-SE-4B	82	56	79	M25	PG21		S32A-TEH-4B
	82	56	79	M32	PG21		S32A-SEH-4B							
S6B	60	43	46	M20	PG13.5	S6B-SE-2B		60	43	40	M20	PG13.5	S6B-TE-2B	
	60	43	72	M25	PG21	S6B-SEH-2B		60	43	72	M20	PG16	S6B-TEH-2B	
S10B	73	43	57	M20	PG16	S10B-SE-2B	S10B-SE-4B	73	43	45	M20	PG16	S10B-TE-2B	S10B-TE-4B
	73	43	72	M25	PG21	S10B-SEH-2B	S10B-SEH-4B	73	43	72	M25	PG21	S10B-TEH-2B	S10B-TEH-4B
S16B	93.5	43	62.5	M25	PG21	S16B-SE-2B	S16B-SE-4B	93.5	43	45	M25	PG21	S16B-TE-2B	S16B-TE-4B
	93.5	43	76	M32	PG21	S16B-SEH-2B	S16B-SEH-4B	93.5	43	76	M32	PG21	S16B-TEH-2B	S16B-TEH-4B
S24B	120	43	62.5	M25	PG21	S24B-SE-2B	S24B-SE-4B	120	43	55.5	M25	PG21	S24B-TE-2B	S24B-TE-4B
	120	43	76	M25	PG21	S24B-SEH-2B	S24B-SEH-4B	120	43	76.5	M32	PG21	S24B-TEH-2B	S24B-TEH-4B
S32B	94	82.5	94	M32	PG29	S32B-SE-2B	S32B-SE-4B	94	82.5	94	M32	PG29	S32B-TE-2B	S32B-TEH-4B
S48B	131	88.5	106	M32	PG29	S48B-SE-2B		131	88.5	106	M32	PG29	S48B-TE-2B	S48B-SE-2B



系列 Series	A	B	C	E	H	订货号 Order NO		A	B	C	E	H	M	PG	订货号 Order NO	
						单扣Single button	双扣Double button								单扣Single button	双扣Double button
S3A	30	42		28	23	S3A-BM-1LM		30	43		57.3	24	M20	Pg11	S3A-SM-1LM	
	30	42		28	23	S3A-BM-1LM-MC										
S10A	70	82.6	17.5	32.6	26	S10A-BM-1LM		48	75	40	50	52	M20	PG16	S10A-SM-1LM	
								48	75	40	50	52	2M20	2PG16		
S16A	86	96	17.5	32.6	26	S16A-BM-1LM		64	95	40	50	57	M20	PG16	S16A-SM-1LM	
								64	95	40	50	57	2M20	2PG16		
S32A	92	102	42	58	29		S32A-BM-2LM	94	105.5	46	56.5	81	M25	PG21		S32A-SM-2LM
								94	106	46	56.5	81	2M25	2PG21		
S6B	70	82	32	45.8	29	S6B-BM-1LM		70	82	40	52	57	M25	PG21	S6B-SM-1LM	
								70	82	40	52	57	2M25	2PG21		
S10B	83	95	32	48.5	29	S10B-BM-1LM	S10B-BM-2LM	82	94	40	52	57	M20	PG16	S10B-SM-1LM	S10B-SM-2LM
								82	94	40	52	57	2M20	2PG16		
S16B	103	115	32	45.8	29	S16B-BM-1L	S16B-BM-2L	105	117	45	57	56	M25	PG21	S16B-SM-1LM	S16B-SM-2LM
								105	117	45	57	56	2M25	2PG21		
S24B	130	141	32	45.8	29	S24B-BM-1L	S24B-BM-2L	132	144	45	57	56	M25	PG21	S24B-SM-1LM	S24B-SM-2LM
								132	144	45	57	56	2M25	2PG21		
S32B	110	124	65	83	36	S32B-BM-1LM	S32B-BM-2LM	112	125	67	85	89	M32	PG29	S32B-SM-1LM	S32B-SM-2LM
								112	125	67	85	89	2M32	2PG29		
S48B	148	165	70	96	40	S48B-BM-1LM		111	141	106	120	99	M32	PG29	S48-SM-1LM	
								111	141	106	119	97.8	2M32	2PG29		

插针 Tool

系列 Series	5A 冷压接插针/5A cold crimping pin				
截面/线规 Sectional area / wire gauge					
mm ²	AWG	镀银公端订货号 Silver plated male Orde No	镀银母端订货号 Silver plated female Orde No	镀金公端订货号 Gold plated male Orde No	镀金母端订货号 Gold plated female Orde No
0.09-0.25	28-24	SCSM-005-0.25	SCSF-005-0.25	SCGM-005-0.25	SCGF-005-0.25
0.25-0.33	26-22	SCSM-005-0.33	SCSF-005-0.33	SCGM-005-0.33	SCGF-005-0.33
0.33-0.52	22-20	SCSM-005-0.52	SCSF-005-0.52	SCGM-005-0.52	SCGF-005-0.52
系列 Series	10A 冷压接插针/10A cold crimping pin				
截面/线规 Sectional area / wire gauge					
mm ²	AWG	镀银公端订货号 Silver plated male Orde No	镀银母端订货号 Silver plated female Orde No	镀金公端订货号 Gold plated male Orde No	镀金母端订货号 Gold plated female Orde No
0.14-0.37	26-22	SCSM-010-0.37	SCSF-010-0.37	SCGM-010-0.37	SCGF-010-0.37
0.5	20	SCSM-010-0.5	SCSF-010-0.5	SCGM-010-0.5	SCGF-010-0.5
0.75	18	SCSM-010-0.75	SCSF-010-0.75	SCGM-010-0.75	SCGF-010-0.75
1	18	SCSM-010-1.0	SCSF-010-1.0	SCGM-010-1.0	SCGF-010-1.0
1.5	16	SCSM-010-1.5	SCSF-010-1.5	SCGM-010-1.5	SCGF-010-1.5
2.5	14	SCSM-010-2.5	SCSF-010-2.5	SCGM-010-2.5	SCGF-010-2.5
系列 Series	16A 冷压接插针/16A cold crimping pin				
截面/线规 Sectional area / wire gauge					
mm ²	AWG	镀银公端订货号 Silver plated male Orde No	镀银母端订货号 Silver plated female Orde No	镀金公端订货号 Gold plated male Orde No	镀金母端订货号 Gold plated female Orde No
0.14-0.37	26-22	SCSM-016-0.37	SCSF-016-0.37	SCGM-016-0.37	SCGF-016-0.37
0.5	20	SCSM-016-0.5	SCSF-016-0.5	SCGM-016-0.5	SCGF-016-0.5
0.75	18	SCSM-016-0.75	SCSF-016-0.75	SCGM-016-0.75	SCGF-016-0.75
1	18	SCSM-016-1.0	SCSF-016-1.0	SCGM-016-1.0	SCGF-016-1.0
1.5	16	SCSM-016-1.5	SCSF-016-1.5	SCGM-016-1.5	SCGF-016-1.5
2.5	14	SCSM-016-2.5	SCSF-016-2.5	SCGM-016-2.5	SCGF-016-2.5
4	12	SCSM-016-4.0	SCSF-016-4.0	SCGM-016-4.0	SCGF-016-4.0
系列 Series	16A 冷压接插针/16A cold crimping pin				
截面/线规 Sectional area / wire gauge					
mm ²	AWG	镀银公端订货号 Silver plated male Orde No	镀银母端订货号 Silver plated female Orde No	镀金公端订货号 Gold plated male Orde No	镀金母端订货号 Gold plated female Orde No
1.5	16	SCSM-040-1.5	SCSF-040-1.5	SCGM-040-1.5	SCGF-040-1.5
2.5	14	SCSM-040-2.5	SCSF-040-2.5	SCGM-040-2.5	SCGF-040-2.5
4	12	SCSM-040-4.0	SCSF-040-4.0	SCGM-040-4.0	SCGF-040-4.0
6	10	SCSM-040-6.0	SCSF-040-6.0	SCGM-040-6.0	SCGF-040-6.0
10	8	SCSM-040-10.0	SCSF-040-10.0	SCGM-040-10.0	SCGF-040-10.0