

D

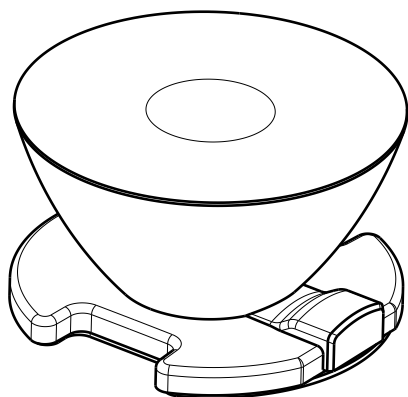
C

B

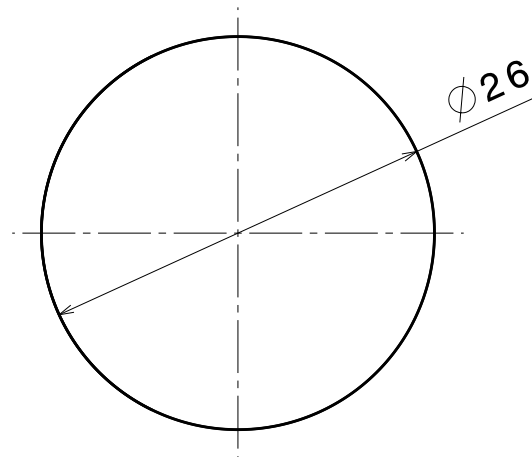
A

DATE

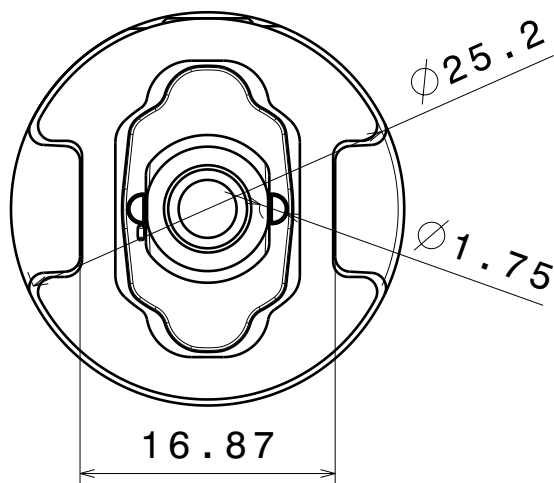
05.02.2019



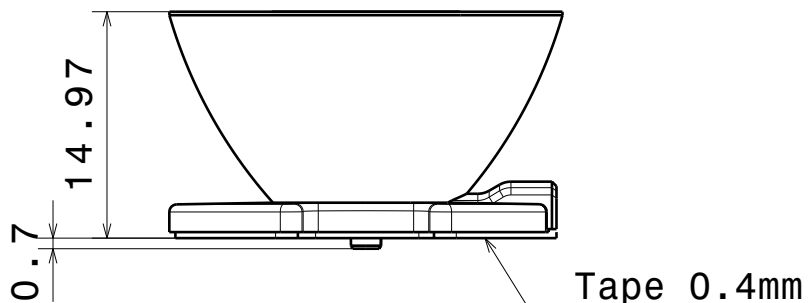
Isometric view



Top view



Bottom view



Front view

Part no.s:

CA11387_Emily-SS

CA11388_Emily-M

CA11389_Emily-0

CA11390_Emily-0-90

CA11391_Emily-M2

PART	TYPE	MATERIAL	COLOR / COATING
EMILY-SERIES_mechanical model			clear

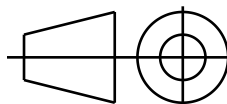
MECHANICAL DRAWING

PRODUCT

EMILY**LEDiL**®

Plastic moulding general tolerances according to DIN 16901-130 and applies if not otherwise shown in the drawing.
Silicone moulding general tolerances according to ISO 3302-1 Class M3 and applies if not otherwise shown in the drawing.

FIRST ANGLE PROJECTION:



This drawing is the property of LEDiL Oy. It may not be copied or otherwise distributed without prior written permission from LEDiL Oy.

SCALE 2:1

WEIGHT -

A4 SHEET 1/1

D

A