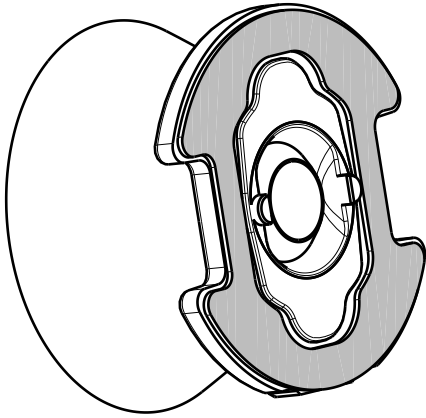


D

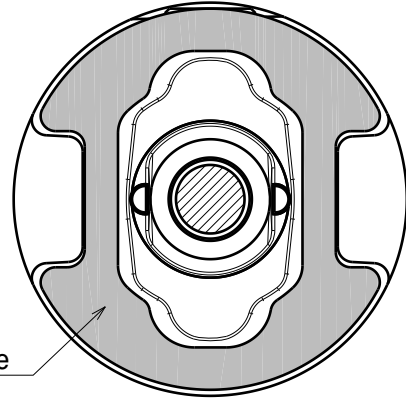
C

B

A



Isometric view



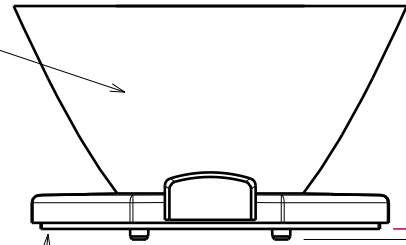
Tape

Bottom view

Material: PMMA
Tape: PU Foam

Lens: C11377_Emily-SS

Tolerances:
Dimensions +/- 0,1 if not otherwise shown.
Control for SPC marked dimensions.



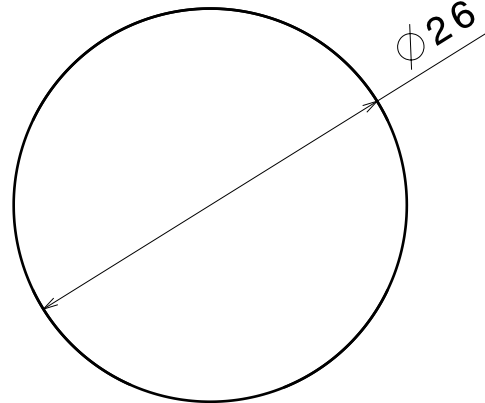
Front view

0.7

(14.74)

- Part no.s:
- CA11387_Emily-SS
 - CA11388_Emily-M
 - CA11389_Emily-0
 - CA11390_Emily-0-90
 - CA11391_Emily-M2
 - CA11934_Emily-W
 - CA11998_Emily-SS-WAS
 - CA12000_Emily-0-WAS
 - CA12062_Emily-D
 - CA12064_Emily-M
 - CA12068_Emily-0-90
 - CA12070_Emily-M2
 - CA12589_Emily-WWW
 - CA13498_Emily-WWW
 - CA13546_Emily-RS
 - CA15359_Emily-WW

Tape: C10253_Sputnik-tape



Top view

Ø26

This drawing is our property.
It can't be reproduced
or communicated without
our written agreement.



Ledil Oy
Tehdaskatu 13
FIN-24100 SALO
Finland

DRAWING TITLE

Emily family datasheet

DRAWN BY mav		DATE 09.12.2010		DRAWING NUMBER -				REV 1	
CHECKED BY tk		DATE 09.12.2010						SIZE A4	SHEET 1 / 1
DESIGNED BY pv		DATE 09.12.2010		SCALE 2:1	WEIGHT (g)				

D

A