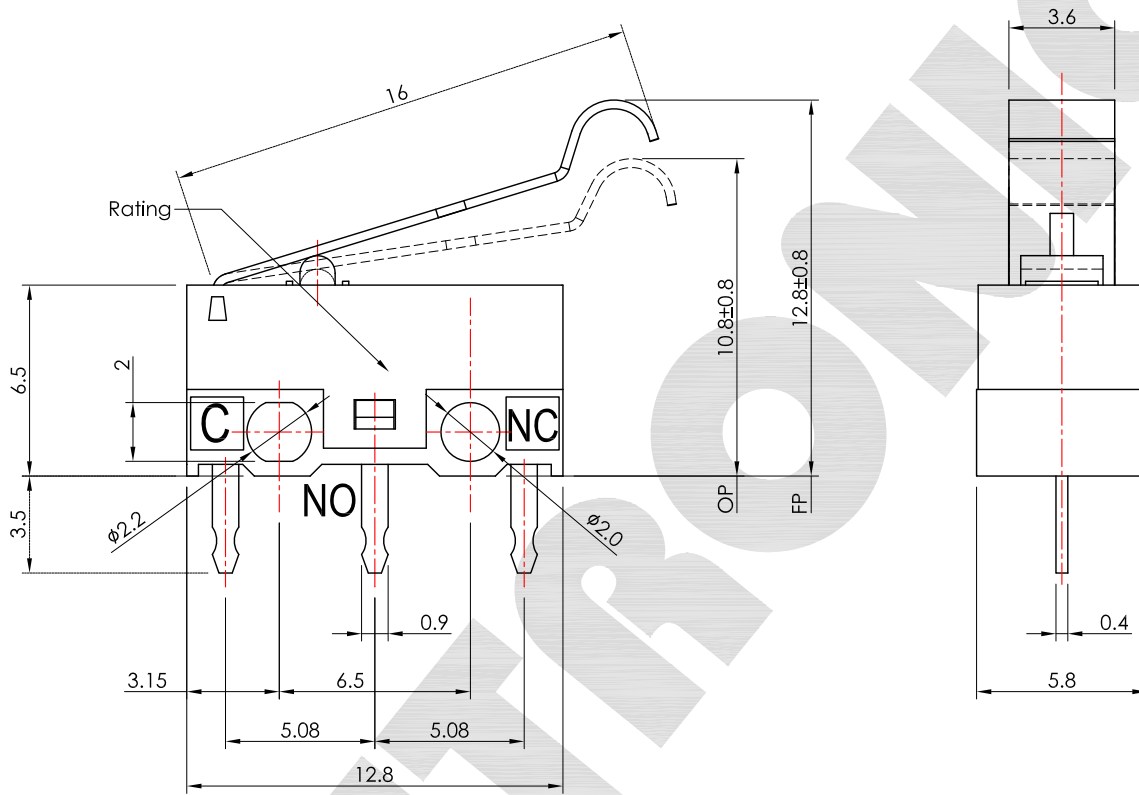


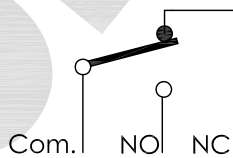
*開關產品未經SWITRONIC同意，請勿拆解，否則無法負品質及安全責任。
Please do not decompose the switch without any permission from SWITRONIC, otherwise the quality and safety responsibility could not be guaranteed.

RoHS compliant

*本圖面若與目錄之規格尺寸不符，以本圖面規格尺寸為主。
Below is our main specification if different from catalog.



SCHEMATIC



SPECIFICATION

- Rating:** 1A 125V AC / 30mA 5V DC.
- Contact resistance:** ≤100mΩ.(initial)
- Insulation resistance:** ≥100MΩ at 500V DC.
- Withstand voltage:** 500V AC for 1 minute.
- Operating temperature:** -10°C ~ +60°C.
- Ambient humidity:** <85%RH.
- Operating force:** 40±20g.
- Minimum load:** 200mA 10V DC.(reference only)
- Mechanical Life:** 500,000 Cycles.
- Electrical Life:** 10,000 Cycles.
- Soldering temperature:** 225°C Max. for 3 sec.
- Soldering time:** 1 time only.
- Note1:** Unwashable, don't be immersed by epoxy and organic solvent.
- Note2:** Please check the actual size, do not scale the drawing page.

DM1-02P-~~XX~~G-G

OPERATING FORCE	RoHS compliant
20, 25, (30), (40)	

(): Standard



V2.4	△		
V2.3	無	改版	2015.07.13
版本 VER.	符號 SYMBOL	修改內容 ALTERATION	更新日期 DATE

產品 PRODUCT		Miniature Micro Switch		型號 MODEL NO.		DM1-02P-40G-G	
比例 SCALE	4 : 1	單位 UNIT	mm				
公差 TOLERANCE	.X=±0.3mm, .XX=±0.2mm						
製圖 DRAWN BY	核圖 CHECKED BY	主管 APPROVED BY					
Allen Liao	Chuck Young	Margaret Lee					
<p>一綺電子企業股份有限公司</p> <p>總公司：110 台北市信義路四段415號13樓之3 13F-3 NO. 415, SEC. 4, HSIN YI ROAD, TAIPEI, TAIWAN TEL : 886-2-27290229 (Rep.) FAX : 886-2-27582086 URL : http://www.switronic.com.tw E-MAIL : switches@ms36.hinet.net</p>							