

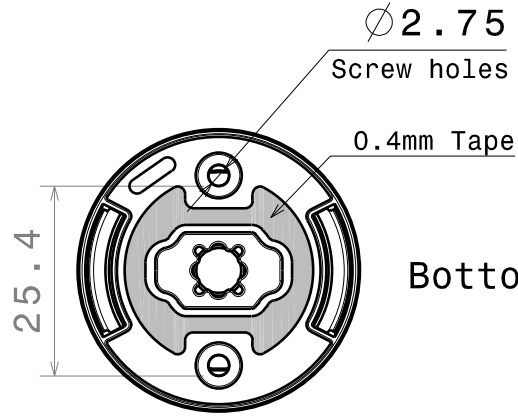
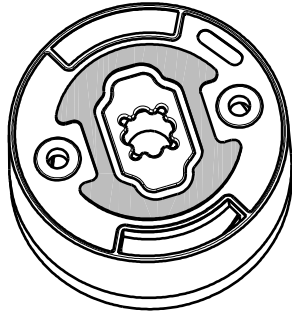
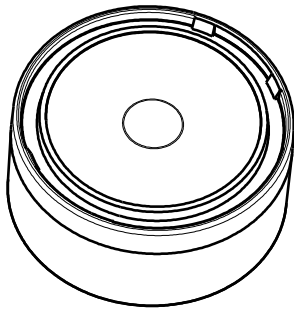
D

C

B

A

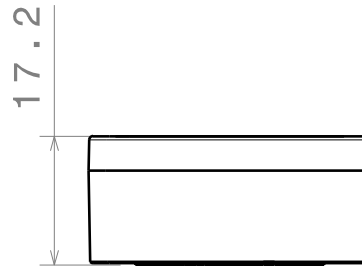
4



Bottom view

Isometric view

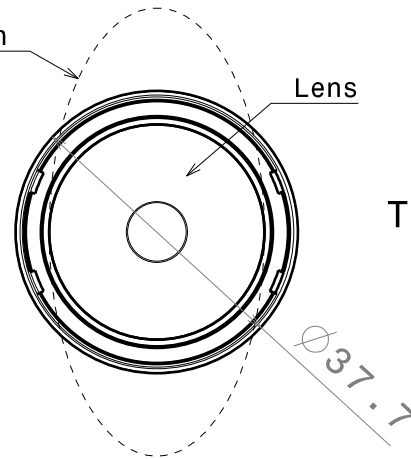
3



Front view

2

Oval beam direction



Top view

Materials:
Lens PMMA
Holder PC, BLACK
Tape Pu foam

This drawing is our property.
It can't be reproduced
or communicated without
our written agreement.



Ledil Oy
Tehdaskatu 13
FIN-24100 SALO
Finland

DRAWING TITLE

Datasheet EVA-XM-WITH-TAPE Assembly

DRAWN BY

mav

DATE

12.04.2012

CHECKED BY

sn

DATE

12.04.2012

SIZE

A4

DRAWING NUMBER

-

REV

1.0

DESIGNED BY

p1

DATE

17.02.2011

SCALE

2:1

WEIGHT (g)

SHEET

1/1

D

A

1

1