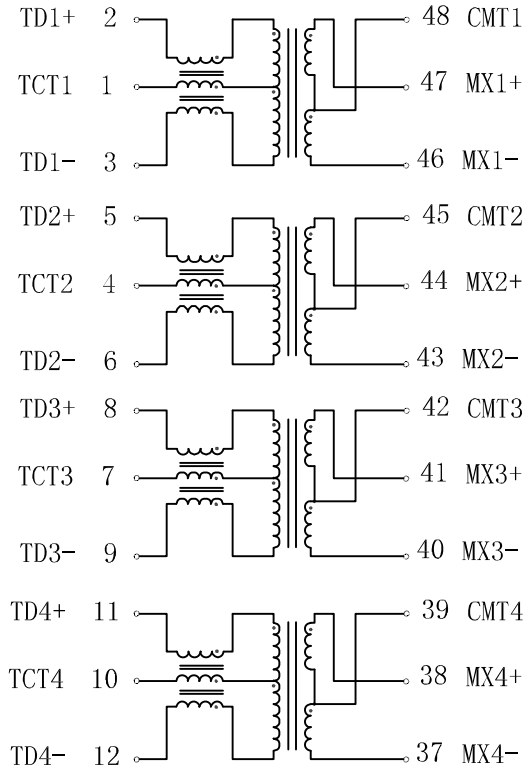


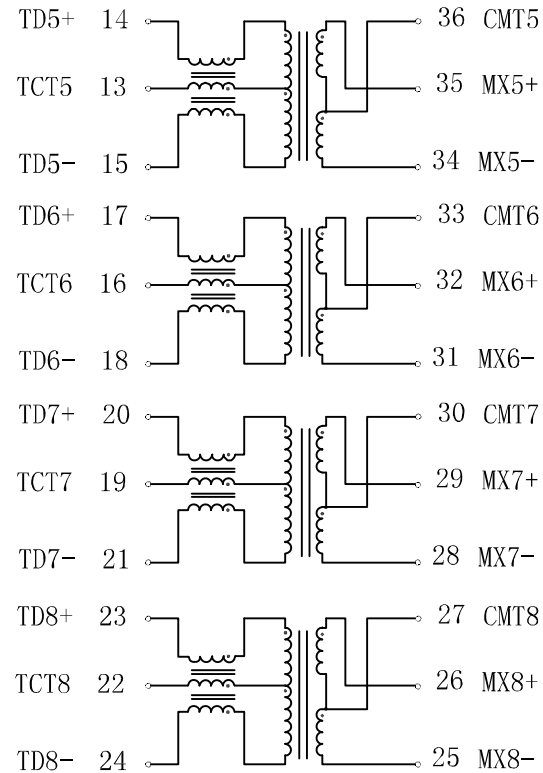
Schematic:

REV.	ECN NO.	DESCRIPTION	DATE	APPD
A+	REL		2016/11/02	

Port 1



Port 2



Electrical Specifications @25°C

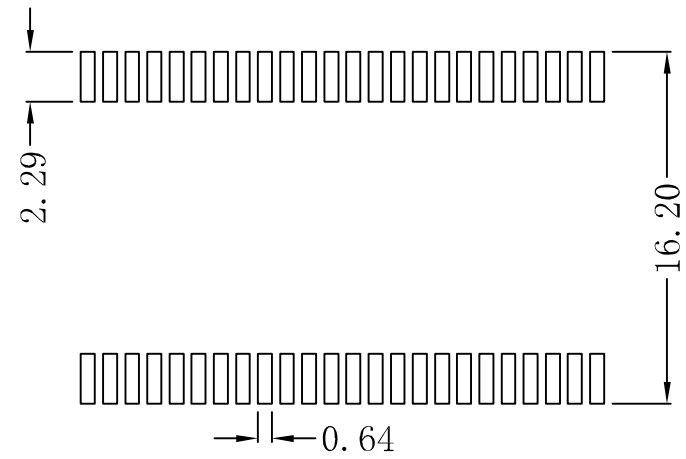
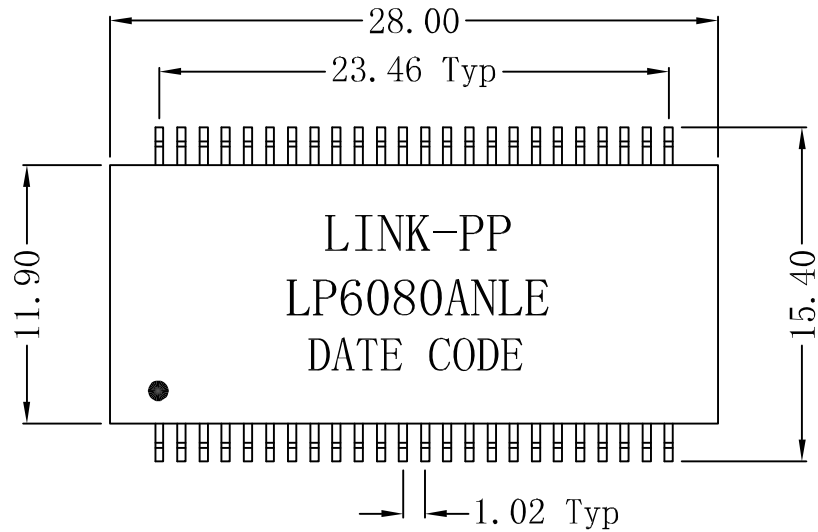
- Turns Ratio:
1CT : 1CT
- OCL: 350uH Min
@100KHz, 100mV, 8mADC Bias
- Insertion Loss(dB MAX):
0.1MHz:-1.1 100MHz:-1.0
125MHz:-2.0
- Return Loss(dB MIN):
30MHz:-18 60MHz:-12
80MHz:-12 100MHz:-10
- Crosstalk(dB MIN):
30MHz:-43 60MHz:-37
100MHz:-33
- PoE applications with 700 mA current capability
- Hipot (Vrms MIN): 1500
- Operating Temperature: -40°C ~ +85°C.



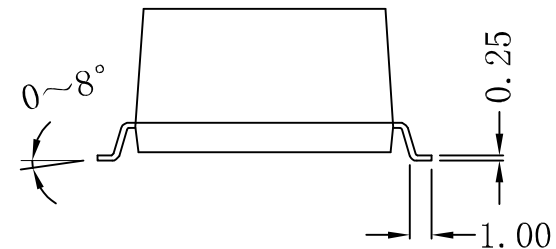
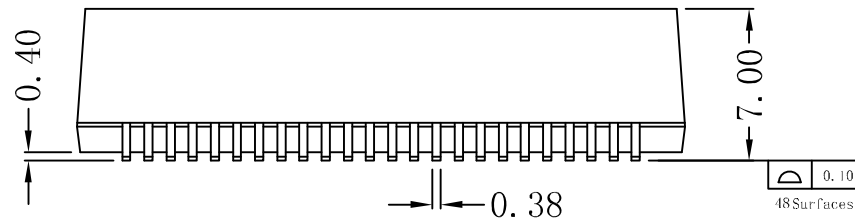
	APPD: SAM	LINK-PP INT'L TECHNOLOGY CO., LIMITED		
	CHKD:	TITLE: Dual Gigabit Magnetic Modules For POE+ Application		
X:XXX ±0.05	DR: TOM	PART NO.: LP6080ANLE		
ANGLES ±1°	UNIT: mm			
	SCALE: 2/1	SHEET: 1/2	REV: A	DWG NO.: LP1610313

Mechanical:

REV.	ECN NO.	DESCRIPTION	DATE	APPD
A+	REL		2016/11/02	



SUGGESTED PAD LAYOUT



NOTES:

1. Gigabit Transformer Modules With PoE+ compliance
2. Meets IEEE 802.3at specification
3. For RoHS part add suffix NL.
4. RoHS "NL" peak solder rating 245°C.



Dimensions: mm

Unless otherwise specified, all tolerances are ± 0.25

	APPD: SAM	LINK-PP INT'L TECHNOLOGY CO., LIMITED		
	CHKD:	TITLE: Dual Gigabit Magnetic Modules For POE+ Application		
X:XXX ±0.05	DR: TOM	PART NO.: LP6080ANLE		
ANGLES ±1°	UNIT: mm			
	SCALE: 2/1	SHEET: 2/2	REV: A	DWG NO.: LP1610313