

D

C

B

A

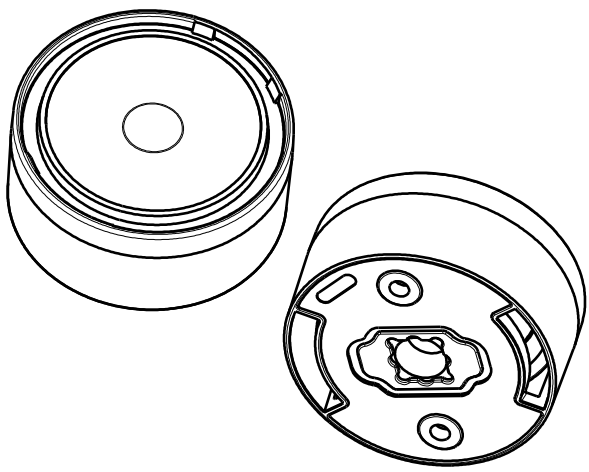
4

3

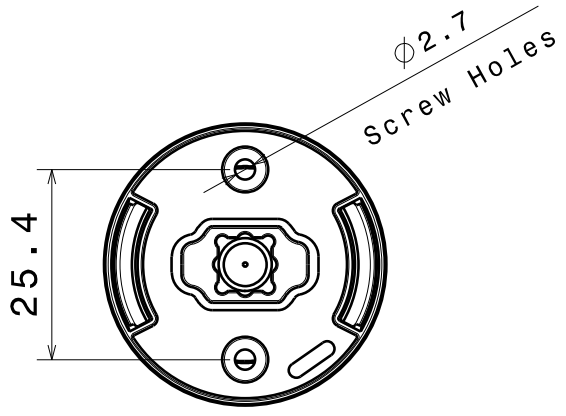
2

1

1

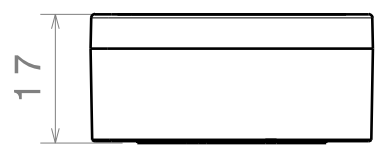


Isometric view



25.4

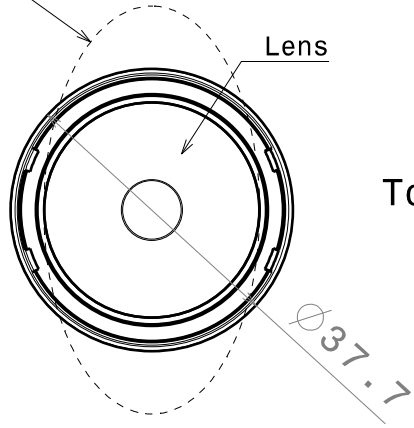
Ø2.7
Screw Holes



17

Front view

Oval beam direction



Lens

Ø37.7

Top view

Materials:
 Lens PMMA
 Holder PC, BLACK

This drawing is our property.
 It can't be reproduced
 or communicated without
 our written agreement.



Ledil Oy
 Tehdaskatu 13
 FIN-24100 SALO
 Finland

DRAWING TITLE

Datasheet EVA-LUXEON-M Assembly

DRAWN BY
 mav

DATE
 12.4.2012

CHECKED BY
 sn

DATE
 12.4.2012

SIZE
 A4

DRAWING NUMBER

REV
 1

DESIGNED BY
 pl

DATE
 17.02.2011

SCALE 2:1

WEIGHT (g)

SHEET 1/1

D

A