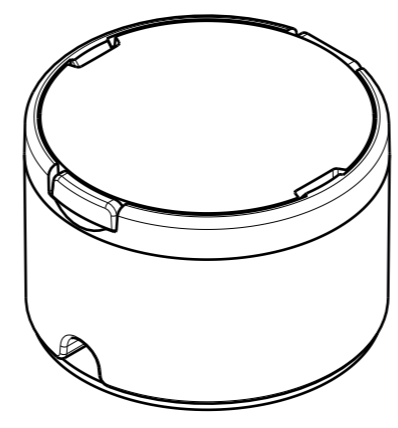
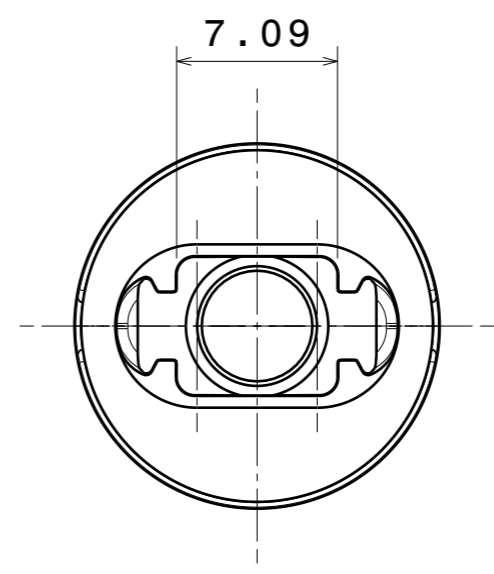
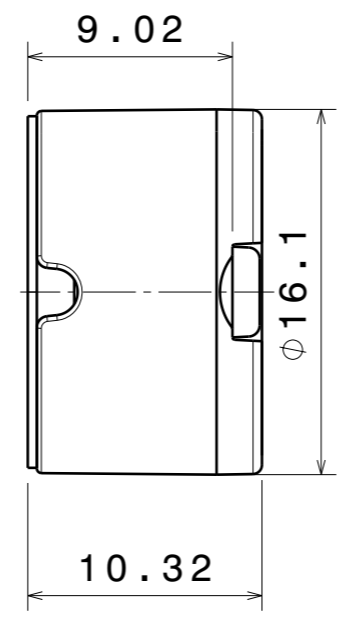
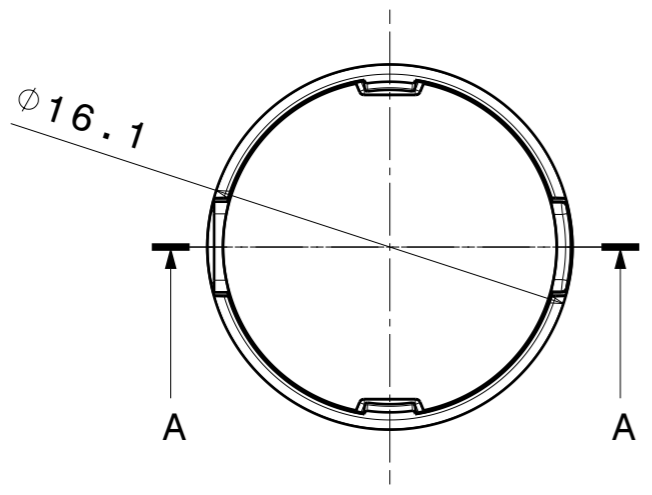


Section view A-A
Scale: 3:1



Isometric view
Scale: 3:1



INDEX	PART NO	DESCRIPTION	MATERIAL	COLOUR
1	F10578	TINA-O-PLUS-D	PMMA 8N	
2	F11840	TINA-TAPE3	PU 2-sided adhesive foam tape	
3	F10636	TINA-O-PLUS-H-TAPE-WHT	PC Lexan 123R	white

LEGEND

1	Inspectional dimensions marked with:
2	See CAD file for detailed geometry information. Surface finishing markings are only shown in drawing level.
Surface finish:	-
Finish specifications:	-

Tolerances if not otherwise shown
According to DIN ISO 2768-1
Linear measures:
Up to 30mm class F, otherwise class M.
According to DIN ISO 2768-2
Form and position: class K
Control for SPC marked dimensions.

LEDiL LediL Oy
Salorankatu 10
FIN 24240 SALO
Finland

THIRD ANGLE PROJECTION:

DRAWING TITLE
FA10642_TINA-D

DRAWN BY	DATE
yrjo.matikainen	7.3.2014
CHECKED BY	DATE
DESIGNED BY	DATE
-	

SIZE	PART NUMBER	REV
A3	FA10642	002

LEDiL PROPRIETARY This drawing is the property of LEDiL Oy. It may not be reproduced, copied or communicated without a written agreement with LEDiL Oy.

SCALE	3:1	WEIGHT	2,02 g	SHEET	1/1
-------	-----	--------	--------	-------	-----