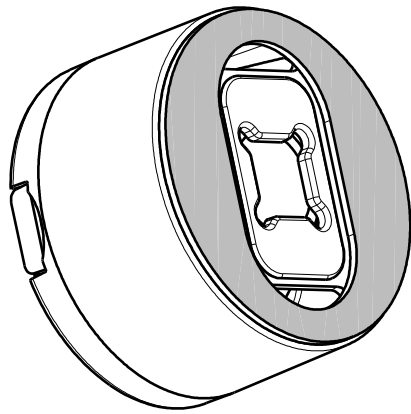


D

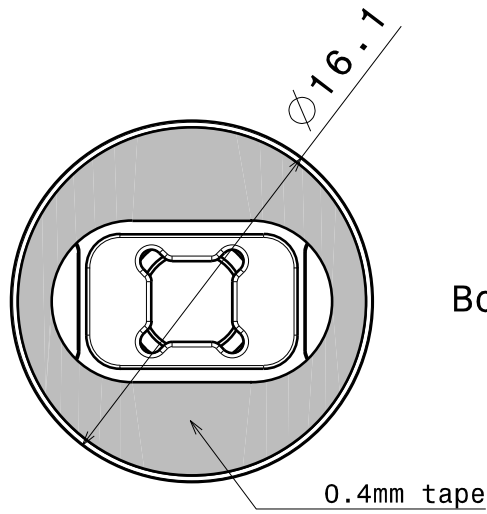
C

B

A



Isometric view

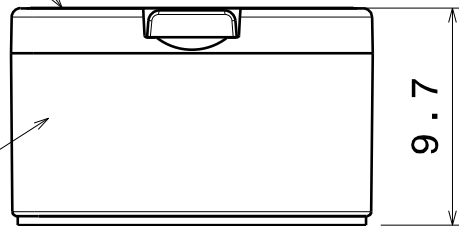


Bottom view

Lens:
F10581 Tina-XP-M

Holder:
F10637 Tina-XP-holder-tape

Tape:
F11840 Tina-tape3



Front view

MATERIALS
 Lens: PMMA
 Holder: PC
 Tape: PU Foam

Part No.s:
 FA10645_Tina-XP-M
 FA10645_Tina-XP-G-M
 FA10645_Tina-Z5-M

This drawing is our property.
 It can't be reproduced
 or communicated without
 our written agreement.



Ledil Oy
 Tehdaskatu 13
 FIN-24100 SALO
 Finland

DRAWING TITLE

Assembly Tina-XP M

DRAWN BY

mav

DATE

09.03.2011

CHECKED BY

tk

DATE

09.03.2011

SIZE

A4

DRAWING NUMBER

FA10645

REV

2

DESIGNED BY

HH

DATE

22.07.2008

SCALE

2:1

WEIGHT (g)

-

SHEET

1/1

D

A

4

4

3

3

2

2

1

1