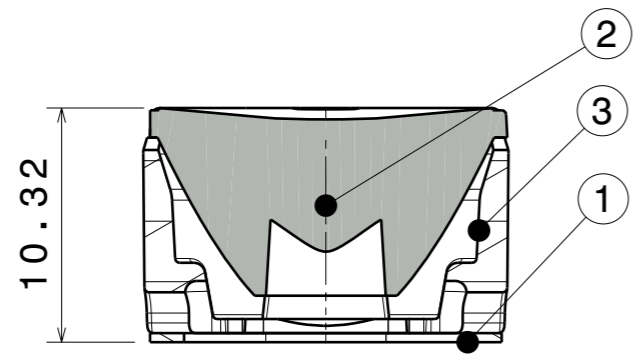
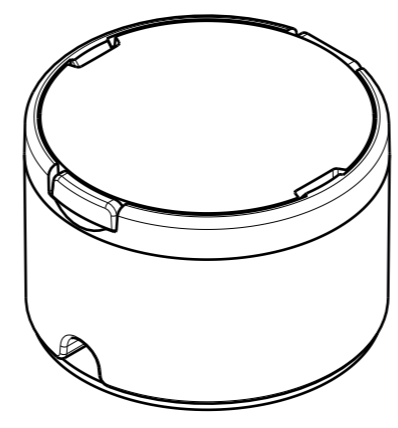


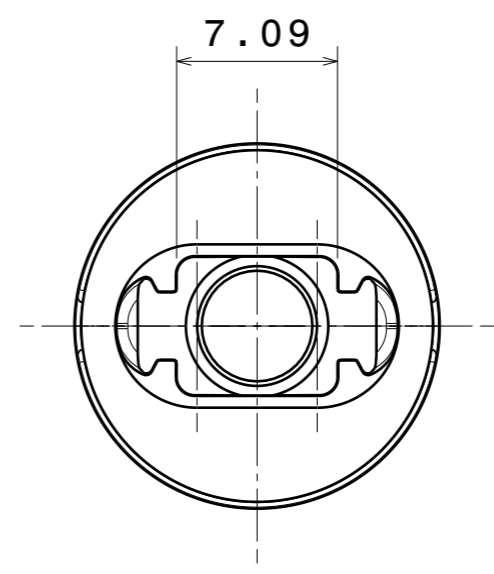
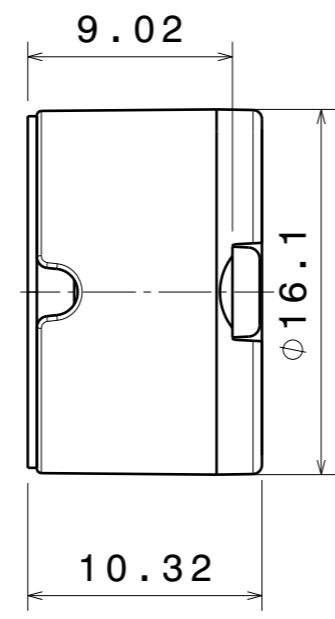
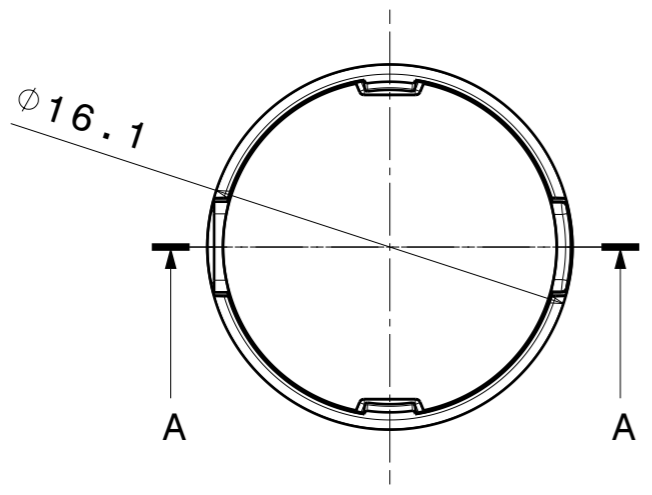
H G F E D C B A



Section view A-A
Scale: 3:1



Isometric view
Scale: 3:1



INDEX	PART NO	DESCRIPTION	MATERIAL	COLOUR
1	F11840	TINA-TAPE3	PU 2-sided adhesive foam tape	
2	F10883	TINA-O-PLUS-RS	PMMA 8N	
3	F10636	TINA-O-PLUS-H-TAPE-WHT	PC Lexan 123R	white

LEGEND

1	Inspectional dimensions marked with:
2	See CAD file for detailed geometry information. Surface finishing markings are only shown in drawing level.
Surface finish:	-
Finish specifications:	-

Tolerances if not otherwise shown
According to DIN ISO 2768-1
Linear measures:
Up to 30mm class F, otherwise class M.
According to DIN ISO 2768-2
Form and position: class K
Control for SPC marked dimensions.

LEDiL LediL Oy
Salorankatu 10
FIN 24240 SALO
Finland

THIRD ANGLE PROJECTION:

DRAWING TITLE
FA10886_TINA-RS

DRAWN BY yrjo.matikainen	DATE 7.3.2014	SIZE A3	PART NUMBER FA10886	REV 002
CHECKED BY	DATE	SCALE 3:1	WEIGHT 1,63 g	SHEET 1/1
DESIGNED BY	DATE			

LEDiL PROPRIETARY

This drawing is the property of LEDiL Oy. It may not be reproduced, copied or communicated without a written agreement with LEDiL Oy.

H G F E D C B A