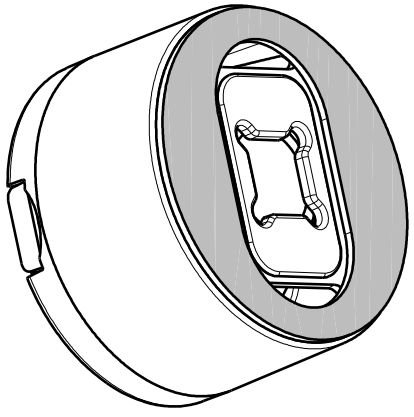


D

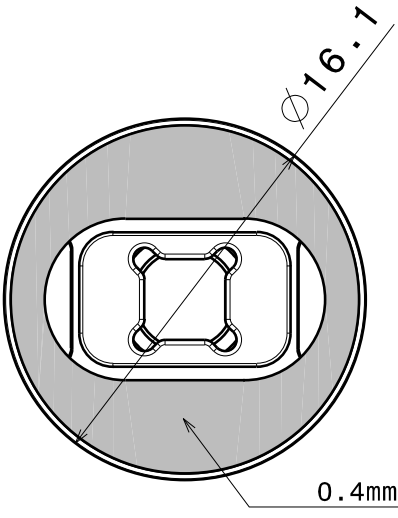
C

B

A



Isometric view

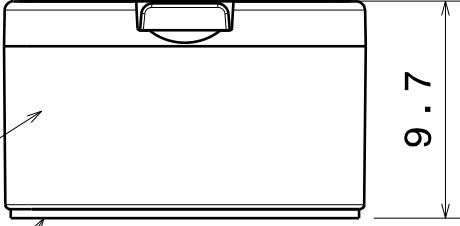


Bottom view

Lens:
F11007 Tina-WW-XP

Holder:
F10637 Tina-XP-holder-tape

Tape:
F11840 Tina-tape3



Front view

MATERIALS
 Lens: PMMA
 Holder: PC
 Tape: PU Foam

Part No.s:
 FA11019_Tina-WW-XP
 FA11019_Tina-WW-XP-G
 FA11019_Tina-WW-Z5

This drawing is our property.
 It can't be reproduced
 or communicated without
 our written agreement.



Ledil Oy
 Tehdaskatu 13
 FIN-24100 SALO
 Finland

DRAWING TITLE

Assembly Tina-XP WW

DRAWN BY mav	DATE 09.03.2011
-----------------	--------------------

CHECKED BY tk	DATE 09.03.2011
------------------	--------------------

SIZE A4	DRAWING NUMBER FA11019	REV 2
------------	---------------------------	----------

DESIGNED BY HH	DATE 22.07.2008
-------------------	--------------------

SCALE 2:1	WEIGHT (g) -	SHEET 1/1
--------------	-----------------	--------------

D

A

4

4

3

3

2

2

1

1