

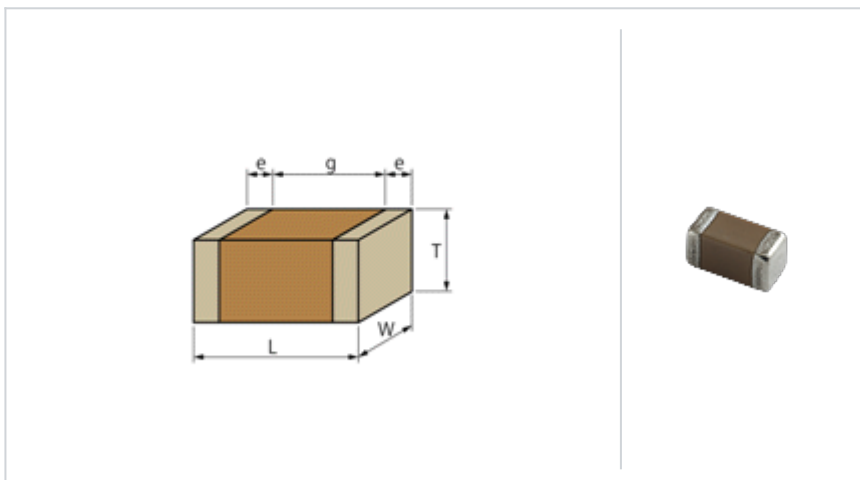
GRM55DR73A104KW01L

" # " indicates a package specification code.



< List of part numbers with package codes >
GRM55DR73A104KW01L

Shape



References

Packaging	Specifications	Minimum quantity
	Embossed tape (180mm)	1000

L size	5.7 ± 0.4mm
W size	5.0 ± 0.4mm
T size	2.0 +0/-0.3mm
External terminal width e	0.3mm min.
Distance between external terminals g (Min.)	3.2mm
Size code in mm(inch)	5750 (2220)

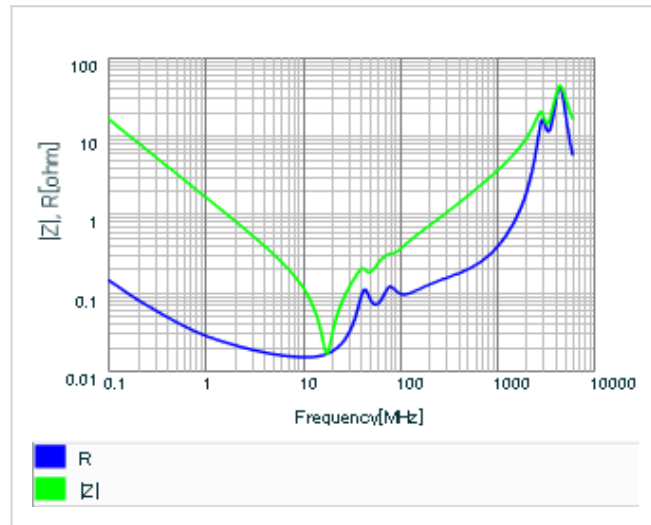
Specifications

Capacitance	0.10µF ± 10%
Rated voltage	1000Vdc
Temperature characteristics (complied standard)	X7R(EIA)
Capacitance change rate	± 15%
Temperature range of temperature characteristics	-55 to 125
Operating temperature range	-55 to 125

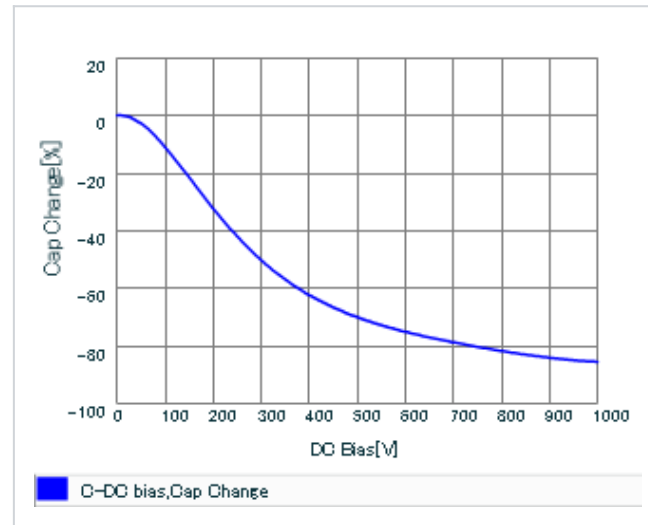
⚠ Attention

- 1.This datasheet is downloaded from the website of Murata Manufacturing Co., Ltd. Therefore, it ' s specifications are subject to change or our products in it may be discontinued without advance notice. Please check with our sales representatives or product engineers before ordering.
- 2.This datasheet has only typical specifications because there is no space for detailed specifications. Therefore, please review our product specifications or consult the approval sheet for product specifications before ordering.

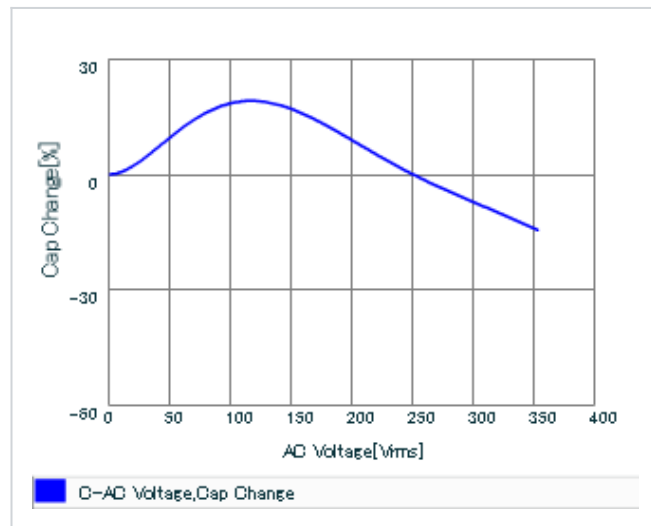
▪ Frequency characteristics (ESR, Impedance)



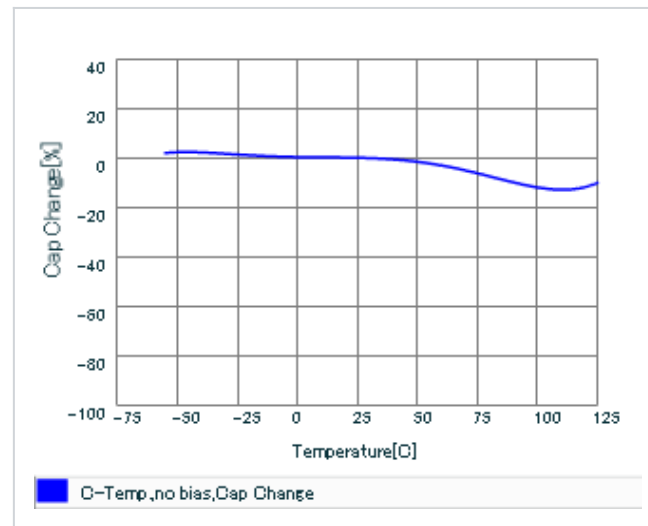
▪ DC bias characteristics



▪ AC voltage characteristics



▪ Capacitance - temperature characteristics



▪ Calorific property by ripple current

