

D

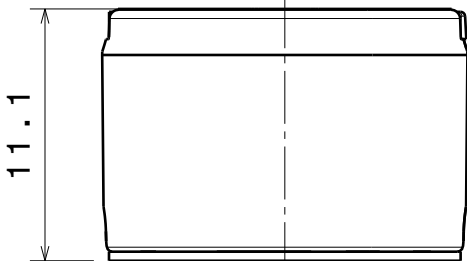
C

B

A

4

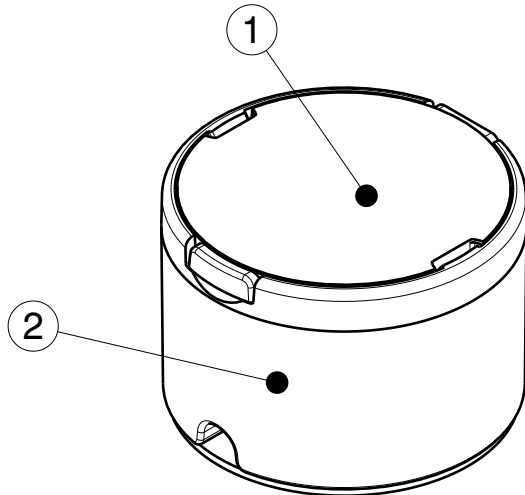
4



11.1

Front view

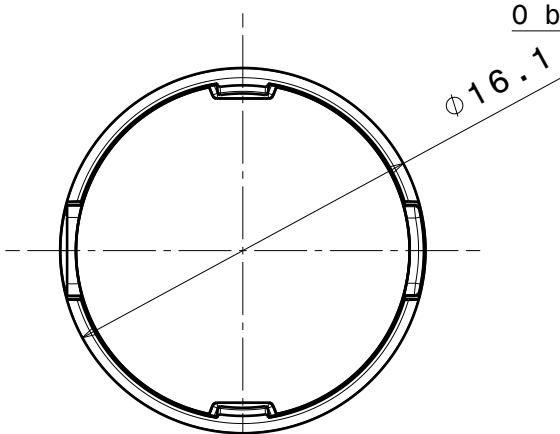
PU tape 0,4mm



Isometric view

3

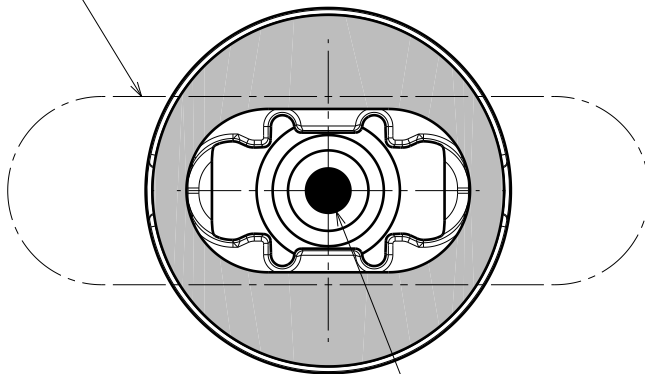
3



Ø16.1

Top view

0 beam direction



Bottom view

LED position

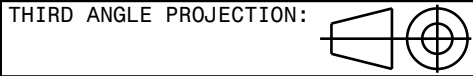
2

2

INDEX	PART NO	DESCRIPTION	MATERIAL	COLOUR
1	F11198	TINA-0	PMMA	clear
2	F10638	TINA-N83-H-TAPE-WHT	PC	white

Tolerances if not otherwise shown
 According to DIN ISO 2768-1
 Linear measures:
 up to 30mm class M, otherwise class C
 According to DIN ISO 2768-2
 Form and position: class L

LEDiL Ledil Oy
 Salorankatu 10
 FIN 24240 SALO
 Finland



THIRD ANGLE PROJECTION:

DRAWING TITLE
FA11201_TINA-0

This drawing is the property
 of LEDiL Oy. It may not be
 reproduced, copied or
 communicated without a written
 agreement with LEDiL Oy.

SIZE PART NUMBER
A4 FA11201

SCALE 3:1 WEIGHT 1,92 g SHEET 1/1

D

A

1

1