

D

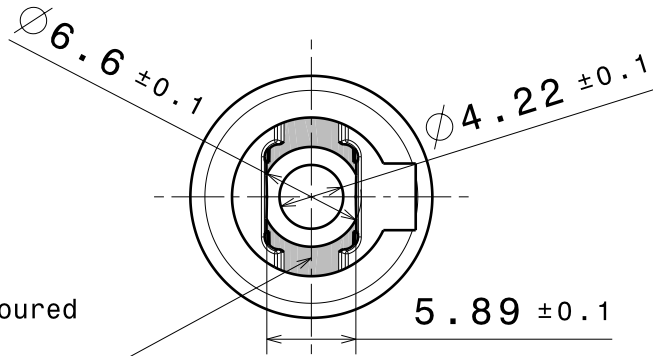
C

B

A

4

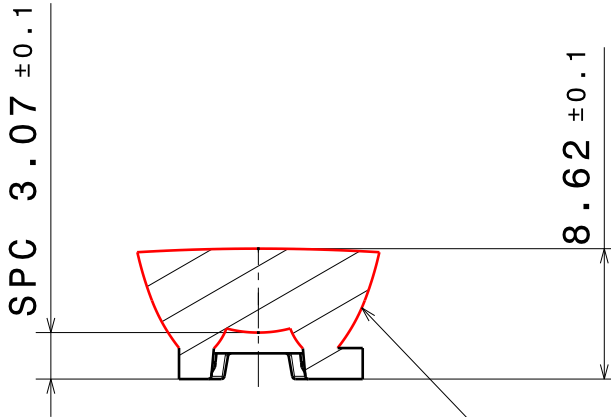
4



Surface finish coloured area: VDI15

3

3

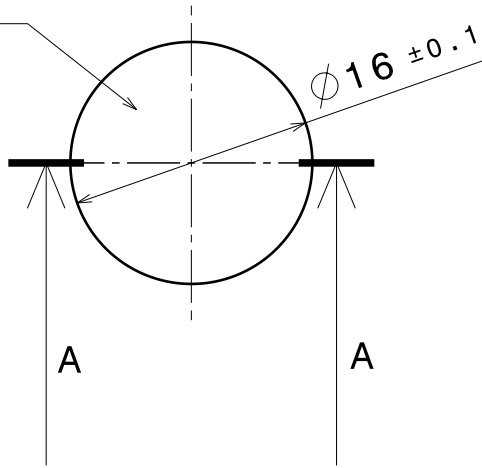


Please, polish the red marked area.

Top surface finish: VDI26 with texture polishing

2

2



Material: PMMA 8N  
SPC control for marked dimensions.

This drawing is our property. It can't be reproduced or communicated without our written agreement.



Ledil Oy  
Tehdaskatu 13  
FIN-24100 SALO  
Finland

DRAWING TITLE

Drawing Tina-W

1

1

DRAWN BY pv	DATE 25.05.2009
CHECKED BY hh	DATE 20.05.2009
DESIGNED BY HH	DATE 31.12.2007

SIZE A4	DRAWING NUMBER 10449	REV 0.2
SCALE 2:1	WEIGHT (g)	SHEET 1/1

D

A