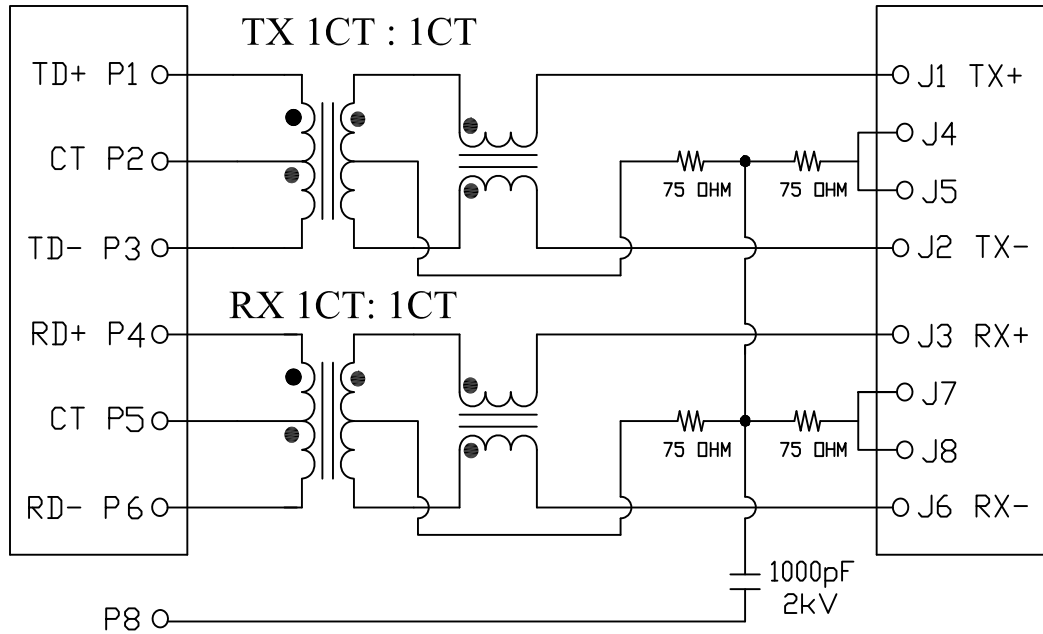


Schematic:

REV.	ECN NO.	DESCRIPTION	DATE	APPD
A	REL		2014/07/07	

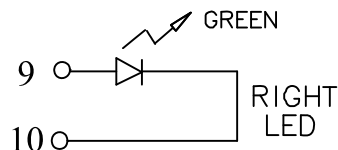
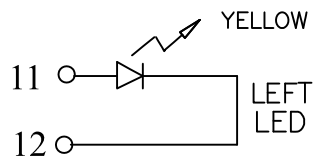
LAN CHIP SIDE

RJ CABLE SIDE



Electrical Specifications @ 25°C

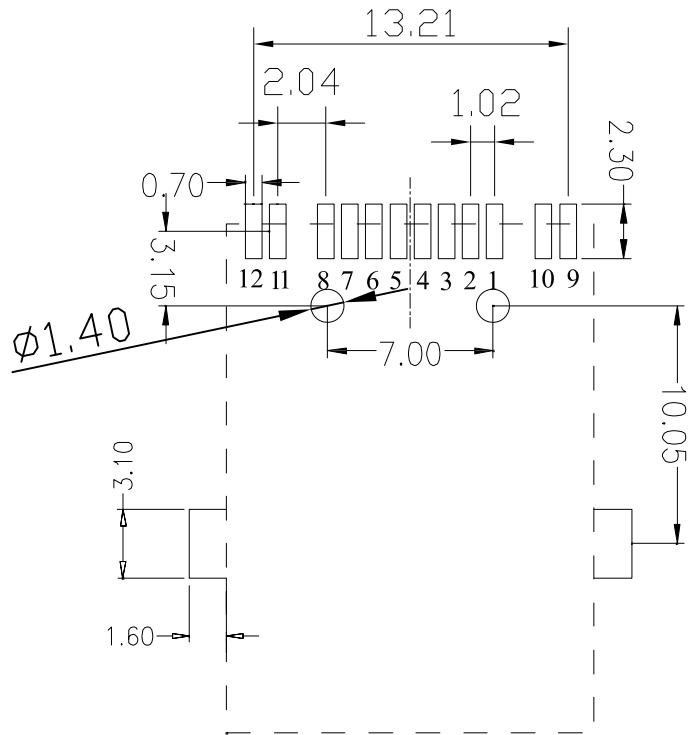
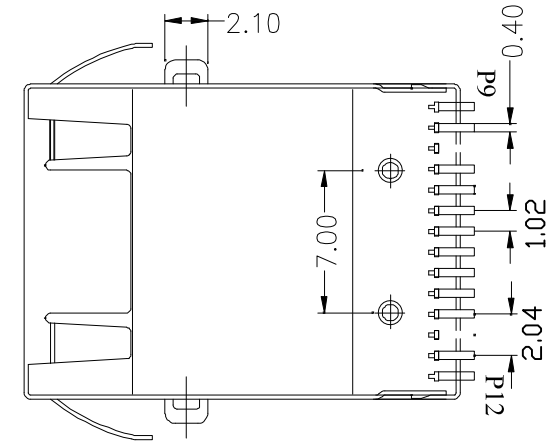
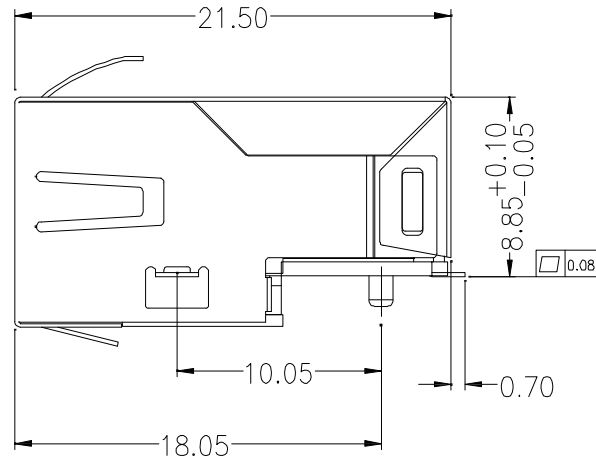
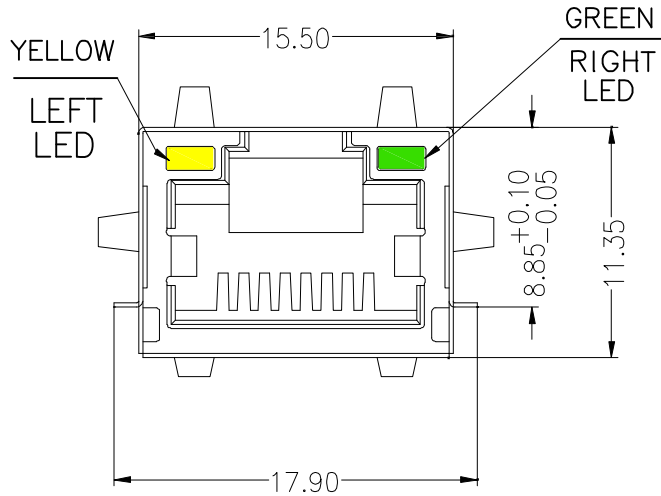
- Turns Ratio(@50KHz, 0.1V):
1CT : 1CT ±2%
- Inductance: 350uH Min
@100KHz, 100mV, 8mA DC Bias
- Insertion Loss:
1~100MHz:-1.0dB Max
- Return Loss(dB Min.):
1~30MHz:-18 30~45MHz:-16
45~60MHz:-14 60~80MHz:-12
- Crosstalk:
1~100MHz:-35dB Min
- Common Mode Rejection:
1~100MHz:-35dB Min
- Isolation Voltage: 2250VDC, 1mA, 60Sec
- Operating Temperature Range: -40°C~+85°C.



X:X	±0.38	APPD:	LINK-PP INT'L TECHNOLOGY CO., LIMITED
X:XX	±0.25	CHKD:	
X:XXX	±0.13	DR: TOM	
ANGLES	±1°	UNIT: mm	TITLE: Surface Mount 1×1 Tab-Up Jack With 10/100 Magnetic
			PART NO.: LPJ19911ADNL
	SCALE: 2/1	SHEET: 1/2	REV: A
			DWG NO: LP14070711

Mechanical:

REV.	ECN NO.	DESCRIPTION	DATE	APPD
A	REL		2014/07/07	



Suggested PCB Layout(Component side view)

NOTES:

1. Designed to support application, such as SOHO (ADSL modems), LAN-on-Motherboard (LOM), hub and Switches.
2. Meets IEEE 802.3 specification
3. Connector Materials:
Housing: Thermoplastic UL94V-0
Contact/Shield: Copper alloy
Shield plating: Nickel
Contact plating: Gold 6 micro-inches min. In contact area.
4. For RoHS part add suffix NL
5. Reflow soldering 260°C degC for 5~10 sec.



X:X	±0.38	APPD:	LINK-PP INT'L TECHNOLOGY CO., LIMITED	
X:XX	±0.25	CHKD:	TITLE: Surface Mount 1×1 Tab-Up Jack With 10/100 Magnetic	
X:XXX	±0.13	DR: TOM	PART NO.: LPJ19911ADNL	
ANGLES	±1°	UNIT: mm	SCALE: 2/1	SHEET: 2/2
		REV: A	DWG NO: LP14070711	