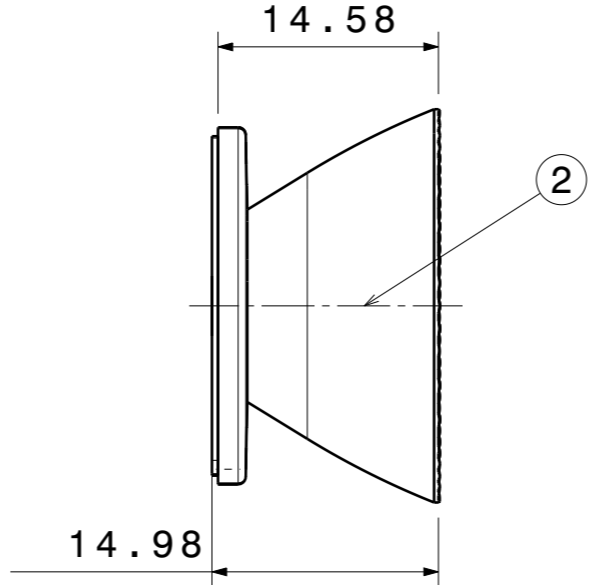
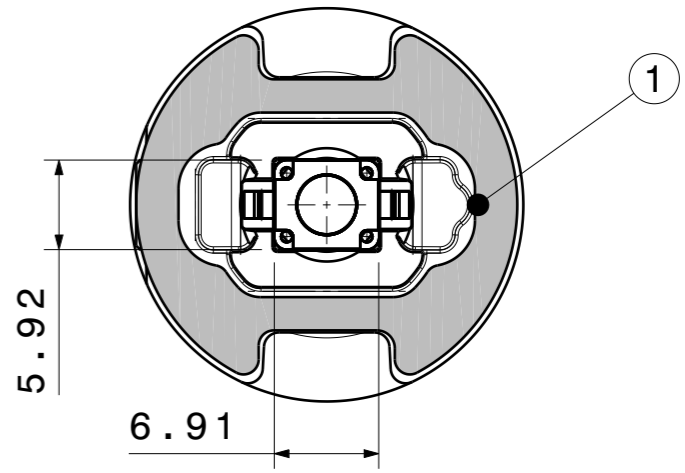


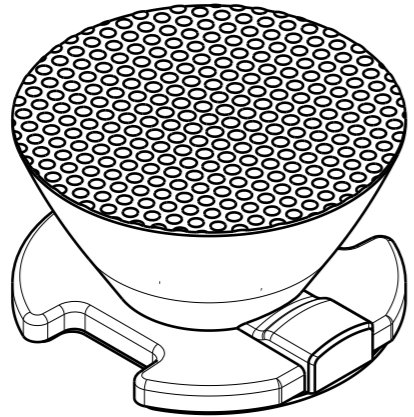
Top view



With tape Front view



Bottom view



Isometric view

INDEX	PART	TYPE	MATERIAL	COLOR / COATING
1	C10253_SPUTNIK-TAPE	TAPE	PU FOAM	BLACK
2	C13306_SPUTNIK-W	LENS	PMMA	CLEAR

MECHANICAL DRAWING		LEDiL®
PRODUCT CA10241_SPUTNIK-W		
Plastic moulding general tolerances according to DIN 16901-130 and applies if not otherwise shown in the drawing. Silicone moulding general tolerances according to ISO 3302-1 Class M3 and applies if not otherwise shown in the drawing.	FIRST ANGLE PROJECTION: 	This drawing is the property of LEDiL Oy. It may not be copied or otherwise distributed without prior written permission from LEDiL Oy.
SCALE 2:1	WEIGHT -	A3 SHEET 1/1

Notes

LED location
Ensure LED fitting from a product specific 3D model available from www.ledil.com
For more details about installation please see LEDiL Installation Guide on www.ledil.com