

D

C

B

A

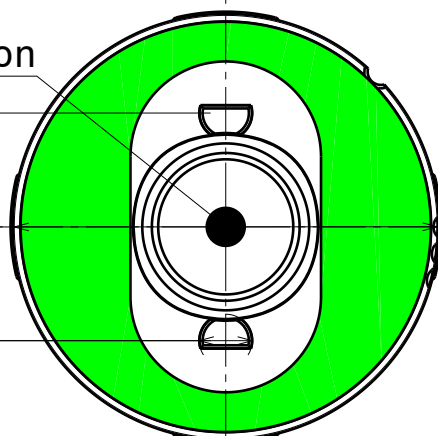
4

4

LED position

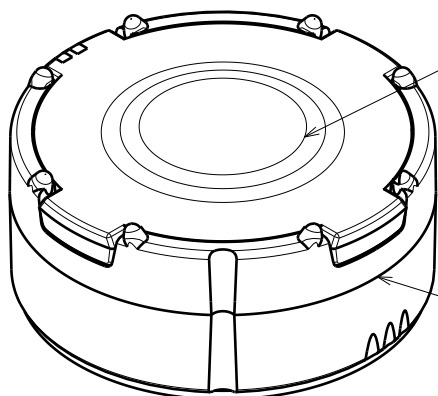
8.6
C/C
Ø 16

Ø 2



Bottom view
Scale: 7:2

Lens



Holder

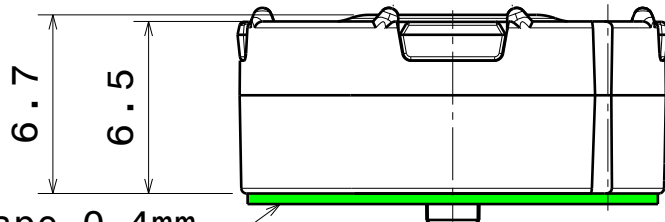
Isometric view
Scale: 7:2

3

3

2

2



Tape 0.4mm

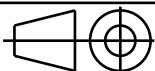
Front view
Scale: 7:2

Tolerances if not otherwise shown
According to DIN ISO 2768-1
Linear measures:
Up to 30mm class M, otherwise class C.
According to DIN ISO 2768-2
Form and position: class L

LEDiL

Ledil Oy
Salorankatu 10
FIN 24240 SALO
Finland

THIRD ANGLE PROJECTION:



DRAWING TITLE

FA11903_TINA3-WW

This drawing is the property
of LEDiL Oy. It may not be
reproduced, copied or
communicated without a written
agreement with LEDiL Oy."

SIZE PART NUMBER

A4

FA11903

SCALE 7:2 WEIGHT

-

SHEET 1/1

D

A

1

1