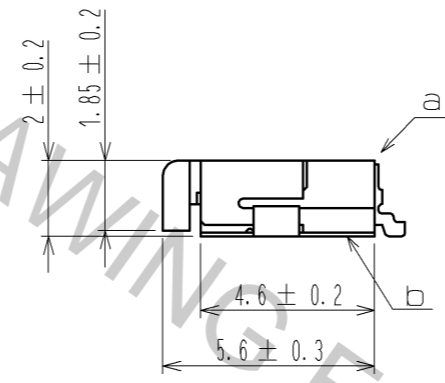
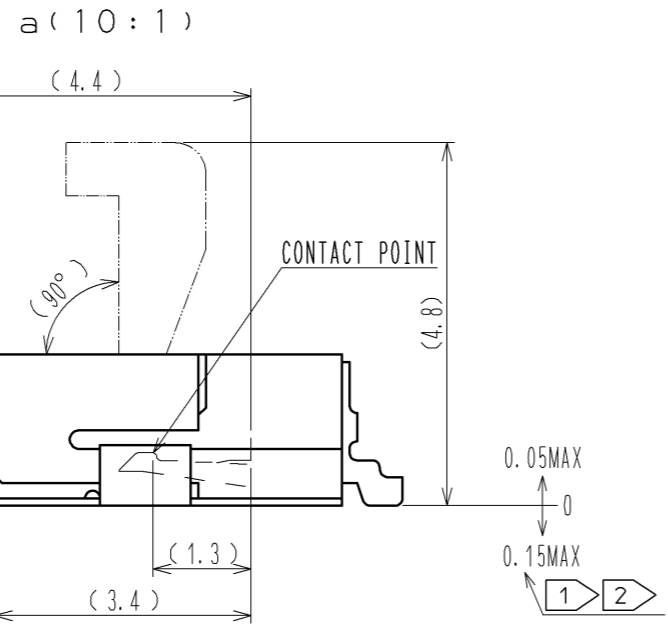
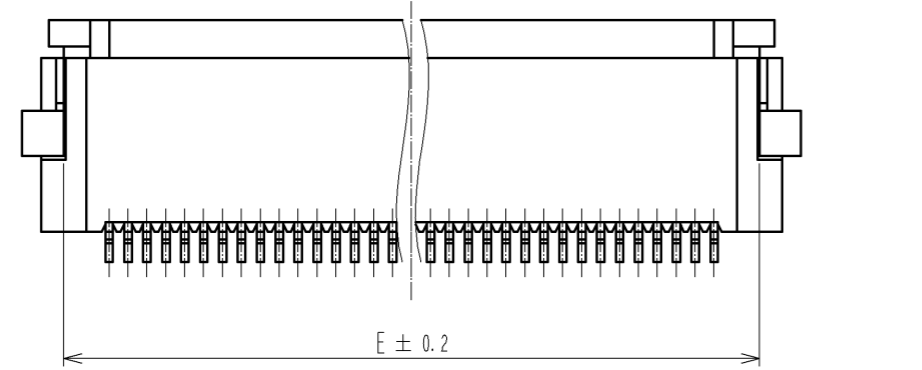
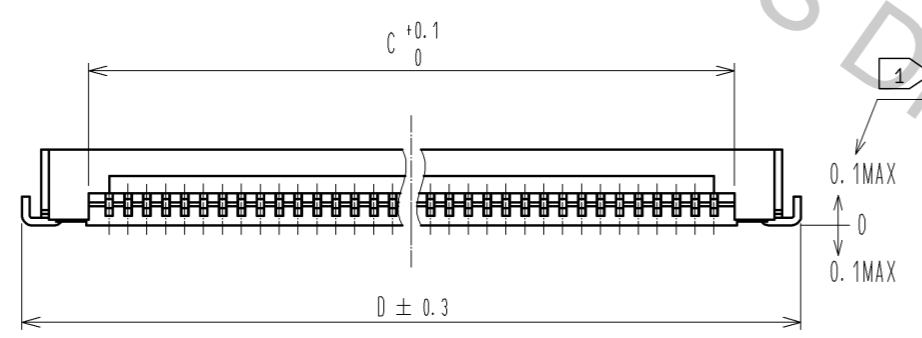
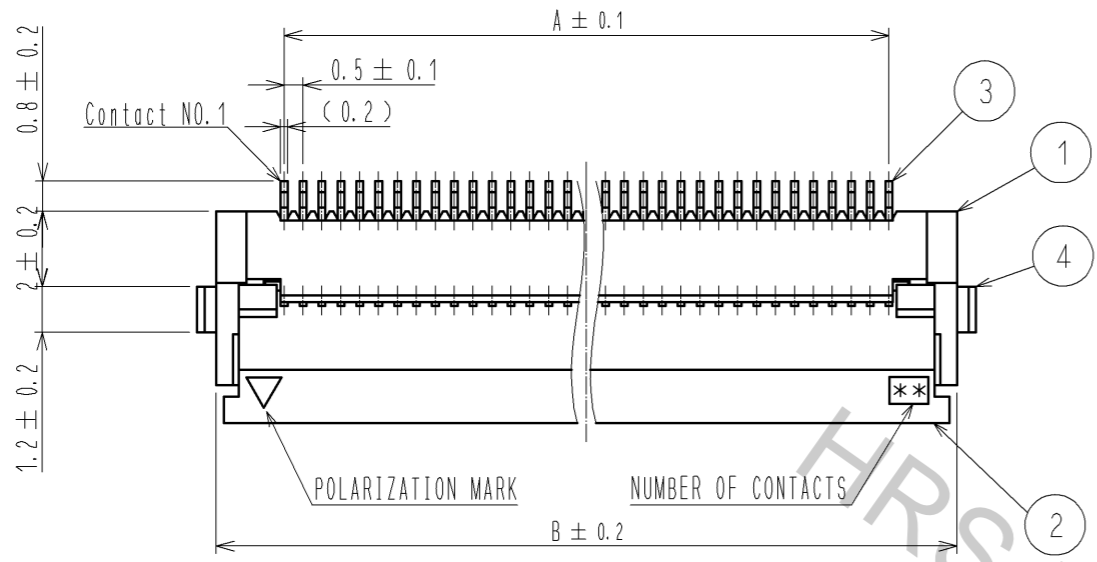
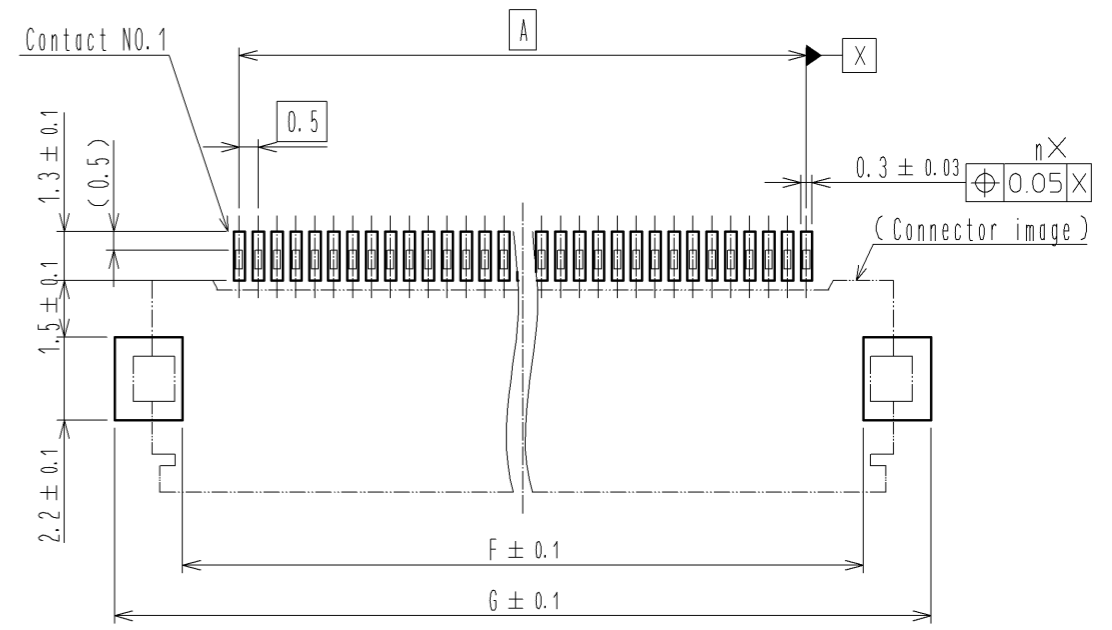


Nov.1.2017 Copyright 2017 HIROSE ELECTRIC CO., LTD. All Rights Reserved.

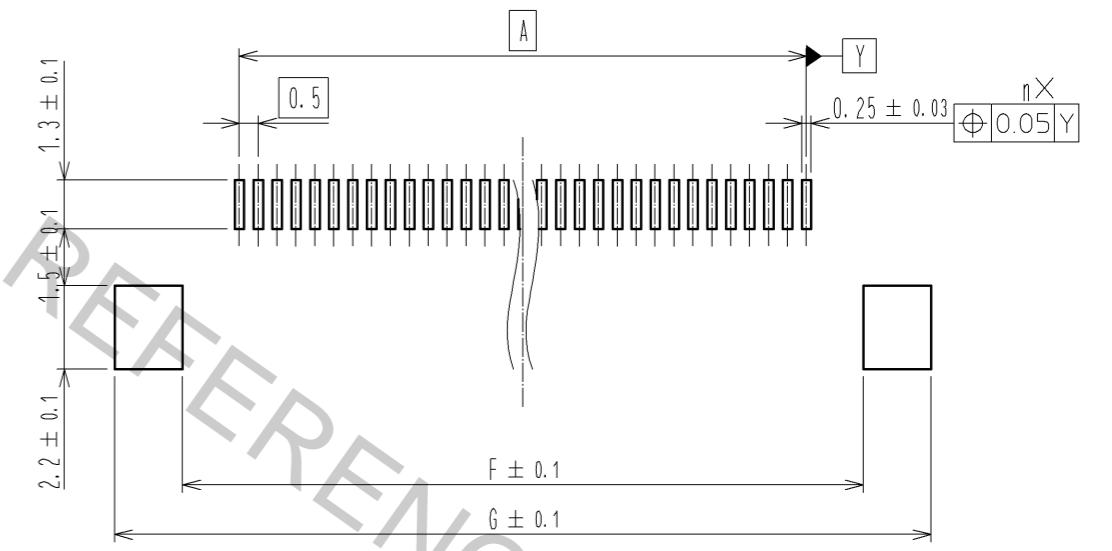


RECOMMENDED PCB MOUNTING PATTERN



RECOMMENDED STENCIL PATTERN

(RECOMMENDED STENCIL THICKNESS : t=0.15)

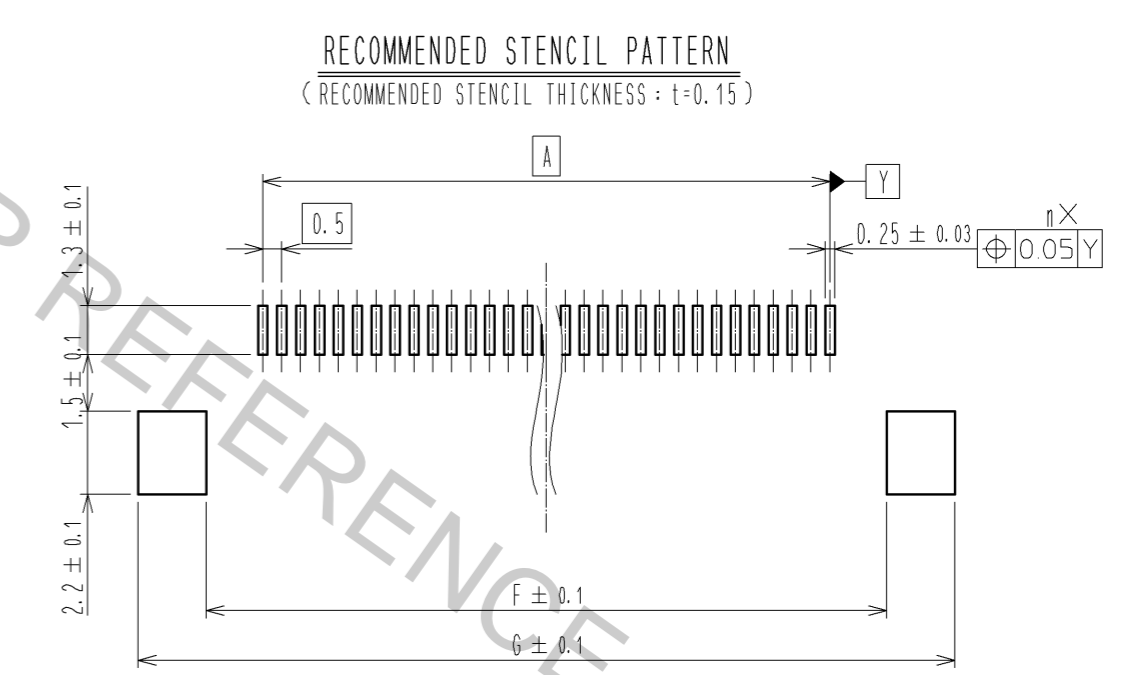
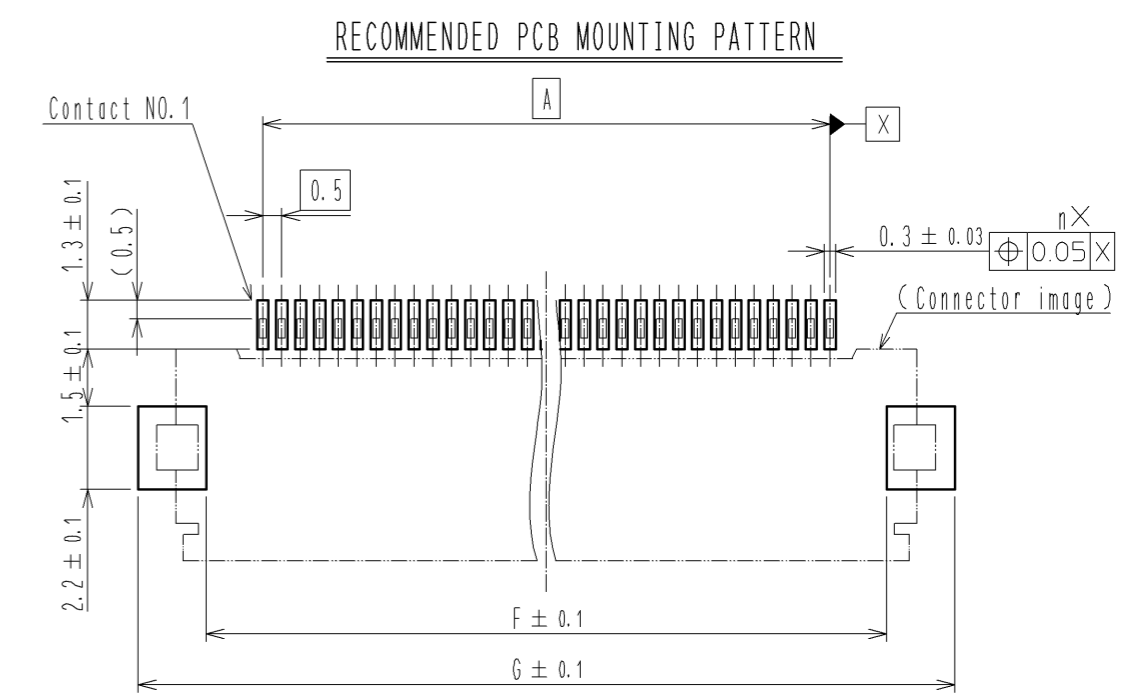
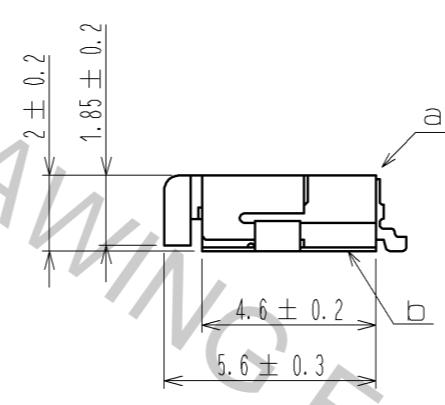
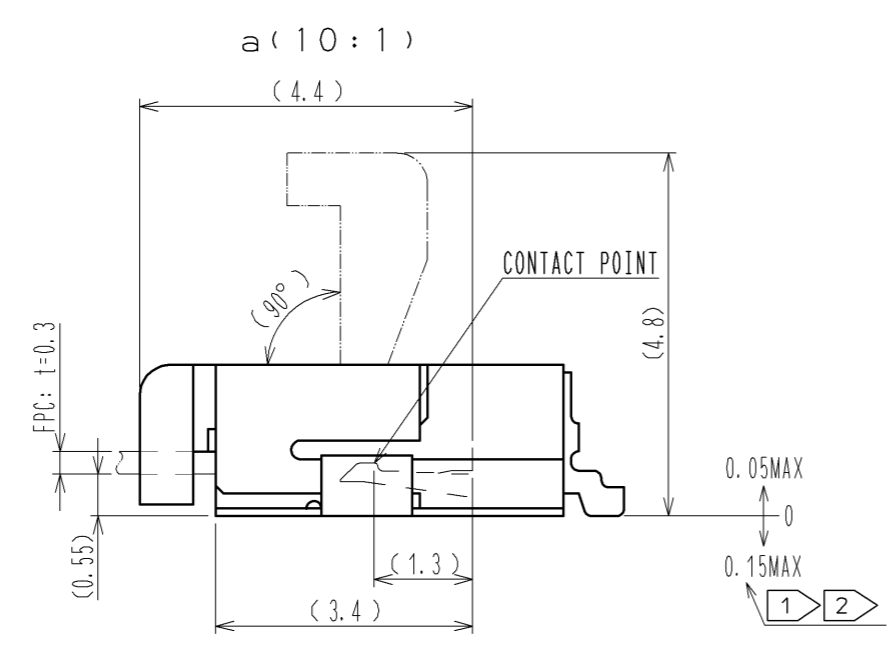
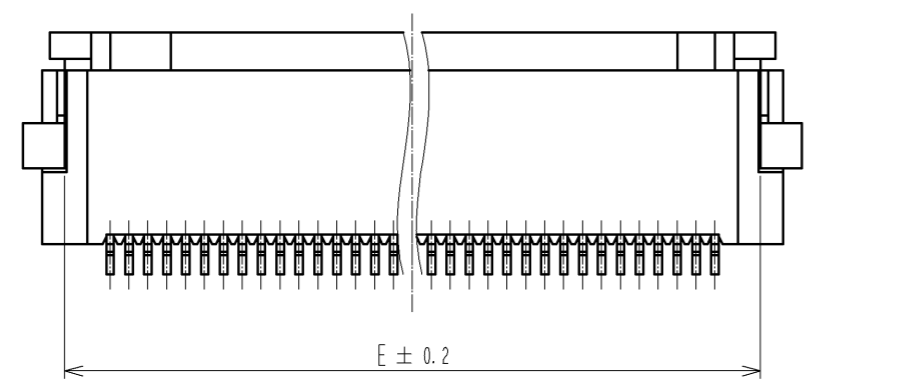
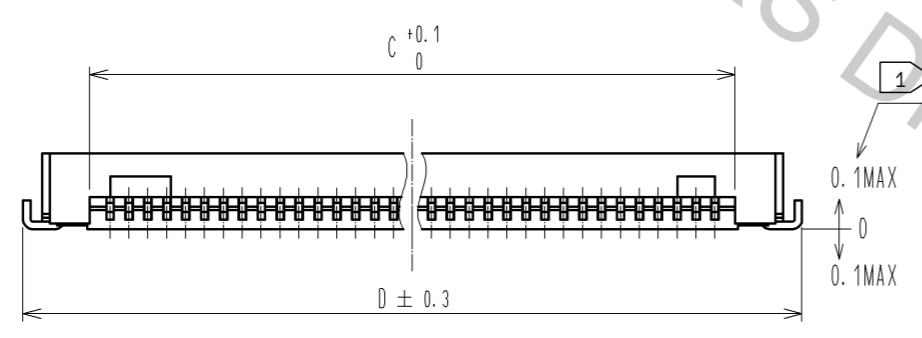
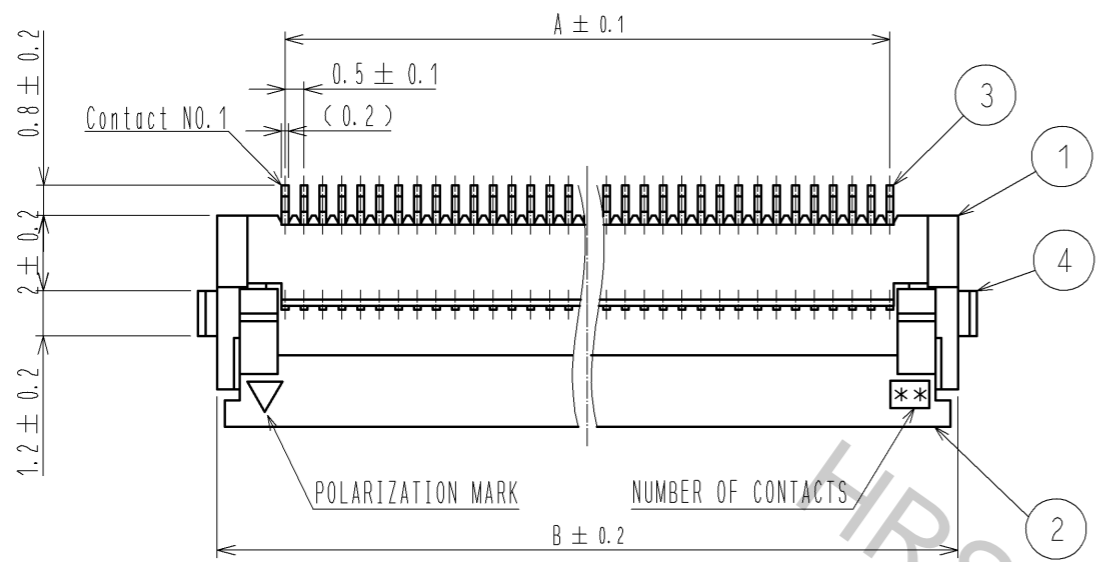


- NOTE 1 REFERENCE IS b.
 2 LEAD CO-PLANARITY SHALL BE 0.1 MAX.
 3 'n' REPRESENTS THE NUMBER OF CONTACTS.

< 34 CONTACT OR LESS >

4	BRASS	TIN PLATING 1μmMIN OVER NICKEL 1μmMIN.	8	(CONNECTOR)	
3	PHOSPHOR BRONZE	GOLD PLATING 0.05μmMIN OVER NICKEL 1μmMIN	7	POLYSTYRENE	
2	PPS	(DEEP BROWN) UL94V-0	6	POLYESTER	
1	POLYAMIDE	(BEIGE) UL94V-0	5	POLYSTYRENE	
NO.	MATERIAL	FINISH . REMARKS	NO.	MATERIAL	FINISH . REMARKS

UNITS mm		SCALE 5 : 1	COUNT 	DESCRIPTION OF REVISIONS	DESIGNED	CHECKED	DATE
HIROSE ELECTRIC CO., LTD.				APPROVED : MO. ISHIDA 13.12.09 CHECKED : HS. SAKAMOTO 13.12.09 DESIGNED : RT. IKEDA 13.12.07 DRAWN : NM. SANPEI 13.12.05	DRAWING NO. EDC3-150229-11 PART NO. FH12-**S-0.5SH(55) CODE NO. CL586		

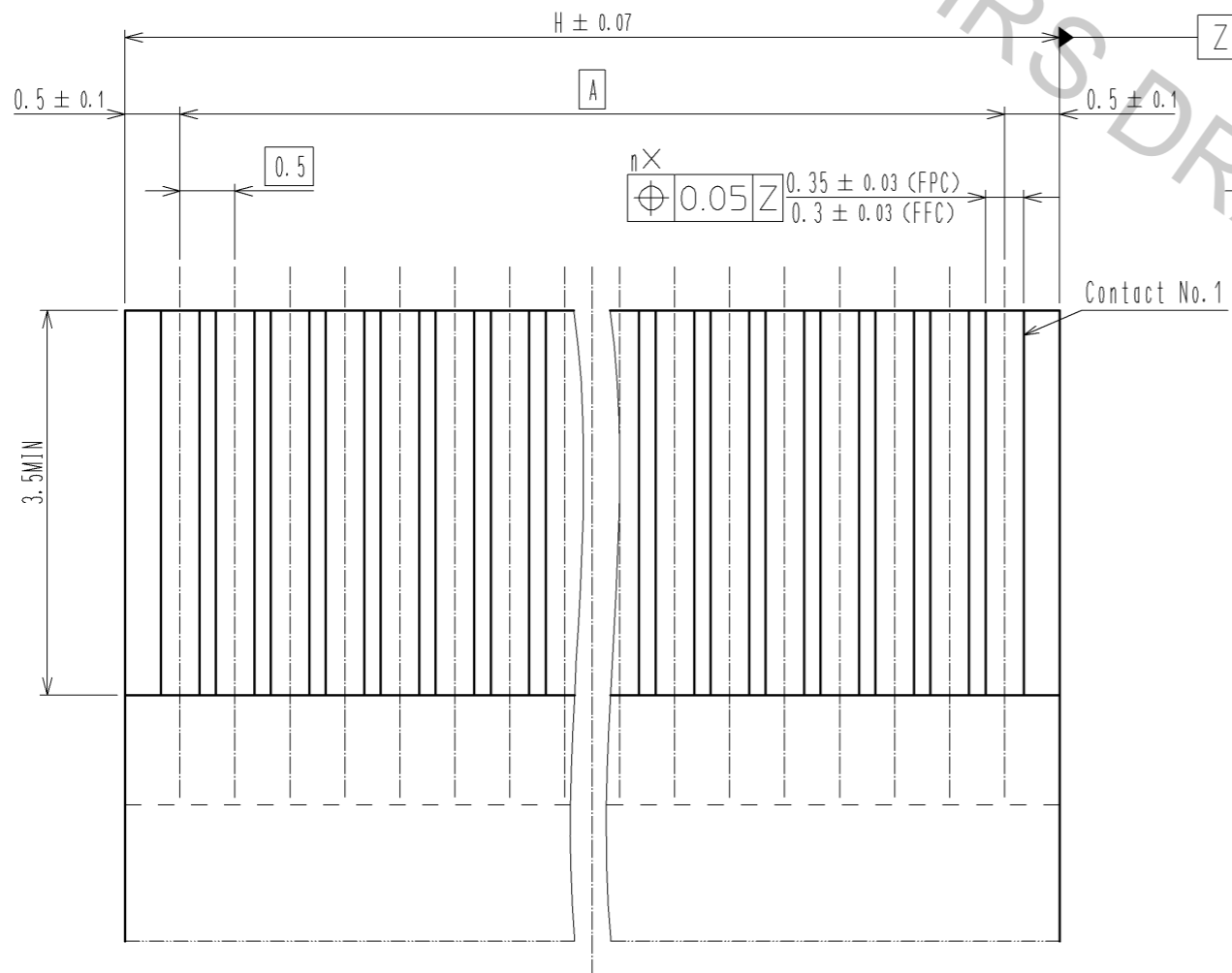


NOTE ① REFERENCE IS b.
 ② LEAD CO-PLANARITY SHALL BE 0.1 MAX.
 ③ 'n' REPRESENTS THE NUMBER OF CONTACTS.

< 35 CONTACT OR MORE >

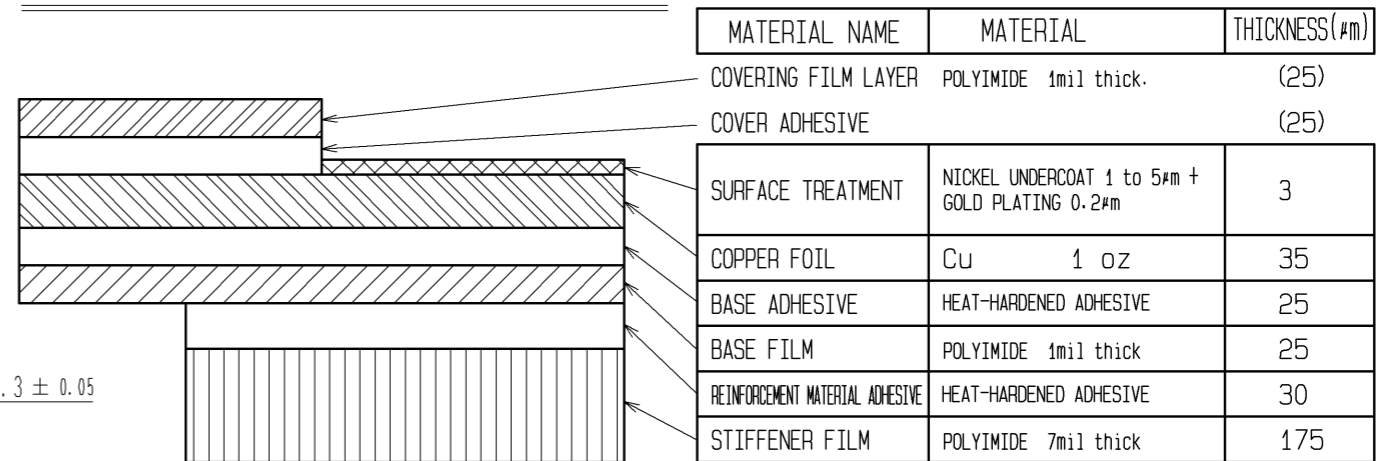
HRS	DRAWING NO.	EDC3-150229-11
	PART NO.	FH12-**S-0.5SH(55)
	CODE NO.	CL586
		2/5

RECOMMENDED FPC/FFC (15:1)

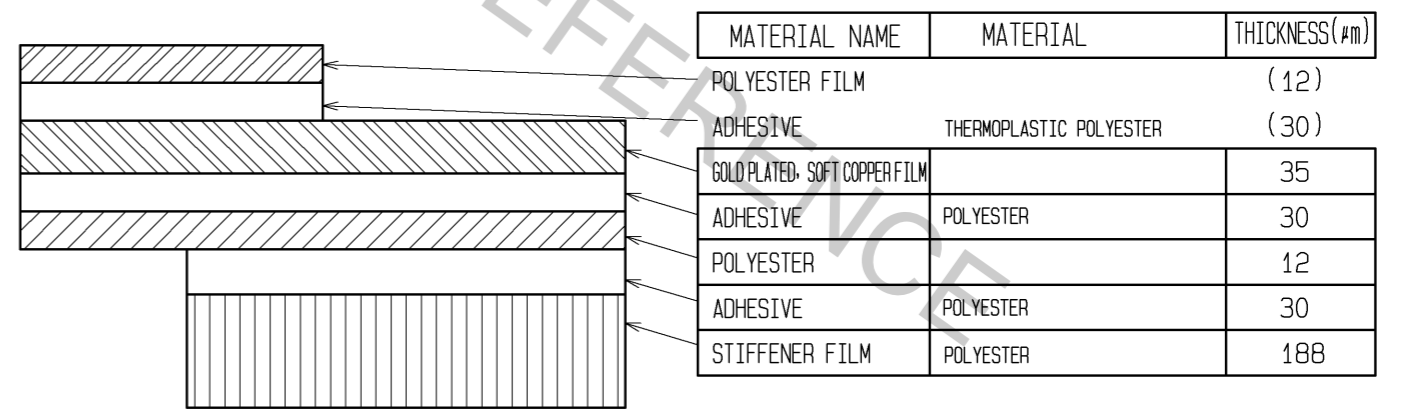


4 THICKNESS OF SUPPORTING TAPE SHALL BE 0.188(7.5MIL) MIN.

FPC CONFIGURATION (REFERENCE EXAMPLE) (SCALE:FREE)



FFC CONFIGURATION (REFERENCE EXAMPLE) (SCALE:FREE)

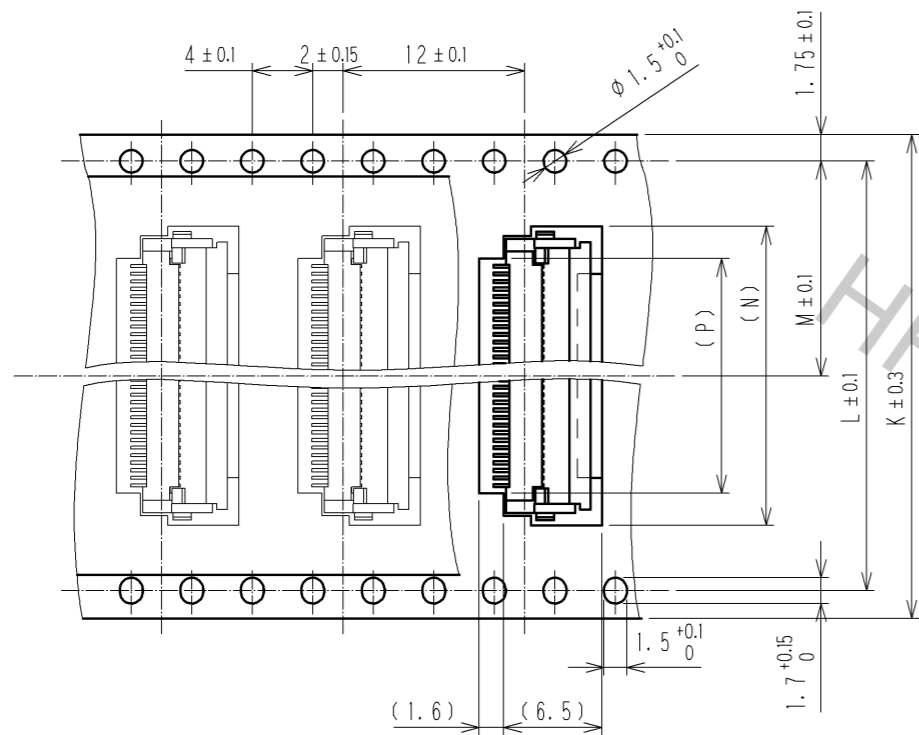


HRS	DRAWING NO.	EDC3-150229-11
	PART NO.	FH12-**S-0.5SH(55)
	CODE NO.	CL586

3/5

EMBOSSED CARRIER TAPE DIMENSION(2:1)

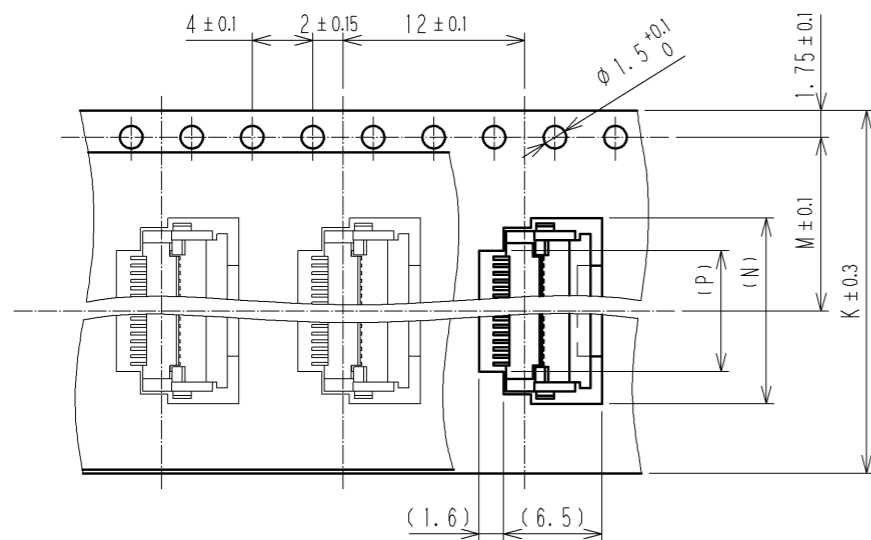
TAPE WIDTH:32mm MIN



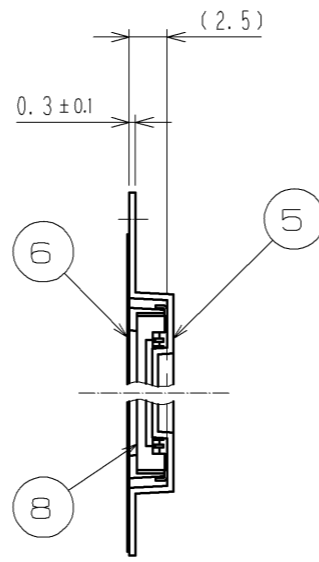
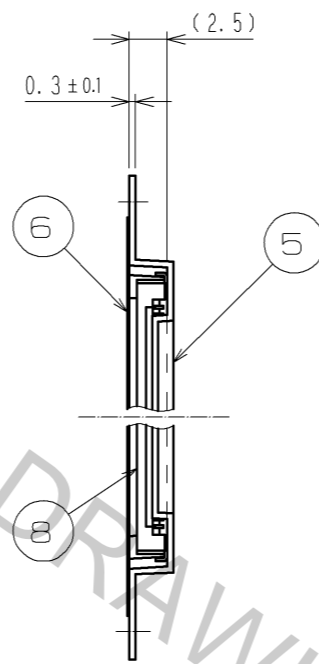
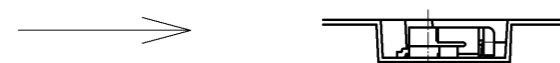
DIRECTION OF UNREELING



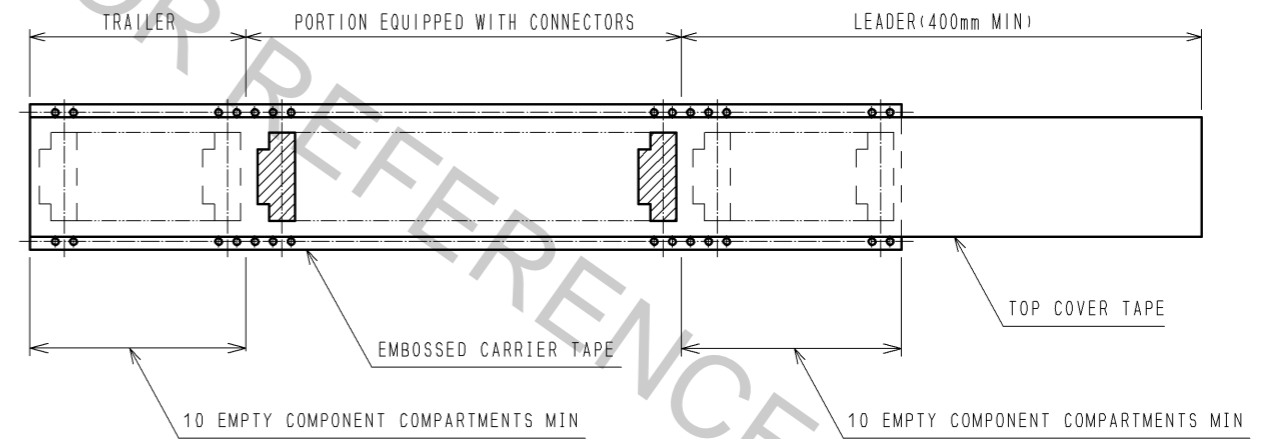
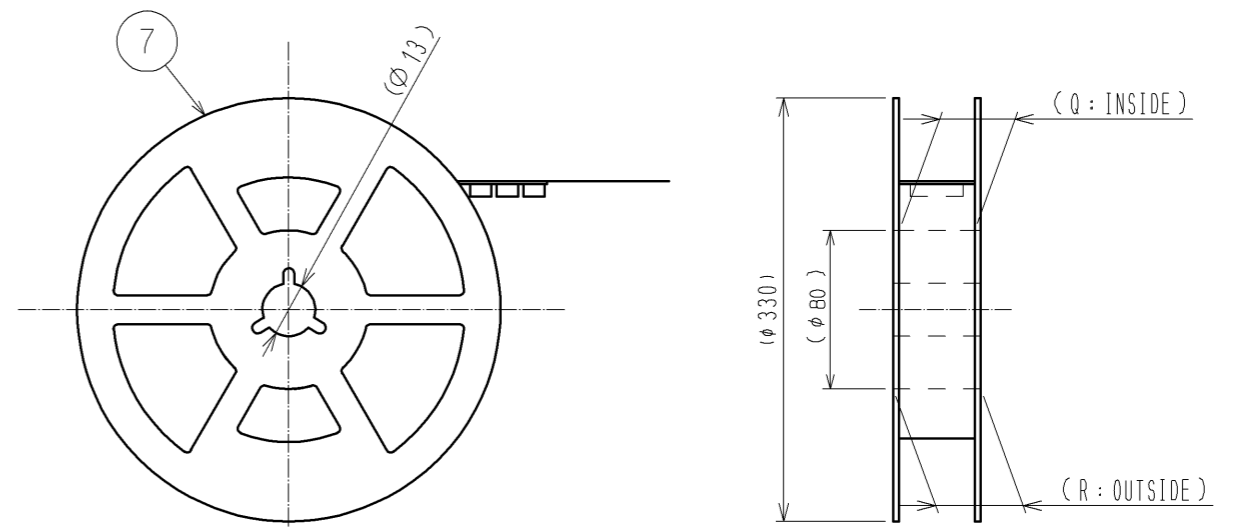
TAPE WIDTH:24mm MAX



DIRECTION OF UNREELING



REEL DIMENSION (FREE)



- 5 THE DIMENSIONS IN PARENTHESES ARE FOR REFERENCE.
- 6 PER REEL:2000 CONNECTORS.
- 7 SEE DIMENSION TABLE IN THE APPENDIX.

<DRAWING FOR PACKING>

HRS	DRAWING NO.	EDC3-150229-11
	PART NO.	FH12-**S-0.5SH(55)
	CODE NO.	CL586
		4/5

Nov.1.2017 Copyright 2017 HIROSE ELECTRIC CO., LTD. All Rights Reserved.

PART NO.	CODE NO.	NUMBER OF CONTACT	DIMENSION TABLE OF CONNECTOR, FPC, FFC, PCB MOUNTING PATTERN AND STENCIL PATTERN								DIMENSION TABLE OF DRAWING FOR PACKING						
			A	B	C	D	E	F	G	H	K	L	M	N	P	Q	R
FH12- 6S-0.5SH(55)	CL586-0582-5-55	6	2.5	6.1	3.57	7.1	4.9	4.5	8.1	3.5	16	—	7.5	7.8	3.5	17.4	21.4
FH12- 8S-0.5SH(55)	CL586-0744-5-55	8	3.5	7.1	4.57	8.1	5.9	5.5	9.1	4.5	16	—	7.5	8.8	4.5	17.4	21.4
FH12-10S-0.5SH(55)	CL586-0522-3-55	10	4.5	8.1	5.57	9.1	6.9	6.5	10.1	5.5	16	—	7.5	9.8	5.5	17.4	21.4
FH12-11S-0.5SH(55)	CL586-0600-5-55	11	5	8.6	6.07	9.6	7.4	7	10.6	6	16	—	7.5	10.3	6	17.4	21.4
FH12-12S-0.5SH(55)	CL586-0704-0-55	12	5.5	9.1	6.57	10.1	7.9	7.5	11.1	6.5	24	—	11.5	10.8	6.5	25.4	29.4
FH12-13S-0.5SH(55)	CL586-0549-0-55	13	6	9.6	7.07	10.6	8.4	8	11.6	7	24	—	11.5	11.3	7	25.4	29.4
FH12-14S-0.5SH(55)	CL586-0533-0-55	14	6.5	10.1	7.57	11.1	8.9	8.5	12.1	7.5	24	—	11.5	11.8	7.5	25.4	29.4
FH12-15S-0.5SH(55)	CL586-0523-6-55	15	7	10.6	8.07	11.6	9.4	9	12.6	8	24	—	11.5	12.3	8	25.4	29.4
FH12-16S-0.5SH(55)	CL586-0531-4-55	16	7.5	11.1	8.57	12.1	9.9	9.5	13.1	8.5	24	—	11.5	12.8	8.5	25.4	29.4
FH12-17S-0.5SH(55)	CL586-0606-1-55	17	8	11.6	9.07	12.6	10.4	10	13.6	9	24	—	11.5	13.3	9	25.4	29.4
FH12-18S-0.5SH(55)	CL586-0530-1-55	18	8.5	12.1	9.57	13.1	10.9	10.5	14.1	9.5	24	—	11.5	13.8	9.5	25.4	29.4
FH12-19S-0.5SH(55)	CL586-0534-2-55	19	9	12.6	10.07	13.6	11.4	11	14.6	10	24	—	11.5	14.3	10	25.4	29.4
FH12-20S-0.5SH(55)	CL586-0524-9-55	20	9.5	13.1	10.57	14.1	11.9	11.5	15.1	10.5	24	—	11.5	14.8	10.5	25.4	29.4
FH12-22S-0.5SH(55)	CL586-0532-7-55	22	10.5	14.1	11.57	15.1	12.9	12.5	16.1	11.5	24	—	11.5	15.8	11.5	25.4	29.4
FH12-24S-0.5SH(55)	CL586-0521-0-55	24	11.5	15.1	12.57	16.1	13.9	13.5	17.1	12.5	24	—	11.5	16.8	12.5	25.4	29.4
FH12-25S-0.5SH(55)	CL586-0692-3-55	25	12	15.6	13.07	16.6	14.4	14	17.6	13	24	—	11.5	17.3	13	25.4	29.4
FH12-26S-0.5SH(55)	CL586-0576-2-55	26	12.5	16.1	13.57	17.1	14.9	14.5	18.1	13.5	24	—	11.5	17.8	13.5	25.4	29.4
FH12-28S-0.5SH(55)	CL586-0612-4-55	28	13.5	17.1	14.57	18.1	15.9	15.5	19.1	14.5	32	28.4	14.2	18.8	14.5	33.4	37.4
FH12-30S-0.5SH(55)	CL586-0525-1-55	30	14.5	18.1	15.57	19.1	16.9	16.5	20.1	15.5	32	28.4	14.2	19.8	15.5	33.4	37.4
FH12-32S-0.5SH(55)	CL586-0681-7-55	32	15.5	19.1	16.57	20.1	17.9	17.5	21.1	16.5	32	28.4	14.2	20.8	16.5	33.4	37.4
FH12-33S-0.5SH(55)	CL586-0520-8-55	33	16	19.6	17.07	20.6	18.4	18	21.6	17	32	28.4	14.2	21.3	17	33.4	37.4
FH12-34S-0.5SH(55)	CL586-0617-8-55	34	16.5	20.1	17.57	21.1	18.9	18.5	22.1	17.5	32	28.4	14.2	21.8	17.5	33.4	37.4
FH12-35S-0.5SH(55)	CL586-0740-4-55	35	17	20.6	18.07	21.6	19.4	19	22.6	18	44	40.4	20.2	22.3	18	45.4	49.4
FH12-36S-0.5SH(55)	CL586-0526-4-55	36	17.5	21.1	18.57	22.1	19.9	19.5	23.1	18.5	44	40.4	20.2	22.8	18.5	45.4	49.4
FH12-40S-0.5SH(55)	CL586-0527-7-55	40	19.5	23.1	20.57	24.1	21.9	21.5	25.1	20.5	44	40.4	20.2	24.8	20.5	45.4	49.4
FH12-45S-0.5SH(55)	CL586-0528-0-55	45	22	25.6	23.07	26.6	24.4	24	27.6	23	44	40.4	20.2	27.3	23	45.4	49.4
FH12-50S-0.5SH(55)	CL586-0529-2-55	50	24.5	28.1	25.57	29.1	26.9	26.5	30.1	25.5	44	40.4	20.2	29.8	25.5	45.4	49.4
FH12-53S-0.5SH(55)	CL586-0595-7-55	53	26	29.6	27.07	30.6	28.4	28	31.6	27	44	40.4	20.2	31.3	27	45.4	49.4

HRS	DRAWING NO.	EDC3-150229-11
	PART NO.	FH12- ** S-0.5SH(55)
	CODE NO.	CL586

△ 5/5