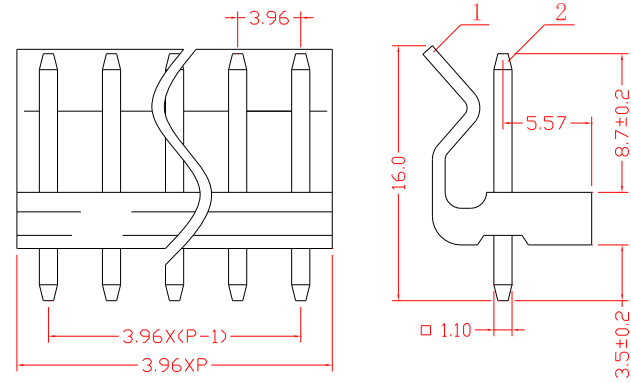


序号/RevNo.	名称/Title	文件编号/File No.
1	134(3.96)M塑料件	QJ/XYT-11152
2	134M端子(直)	QJ/XYT-11154

Specifications:
 Contact Resistance: 30mΩ max.at DC 100 mA
 Insulator resistance: 1000MΩ min.at DC 500V
 Current Rating: 1AMP

Dielectric Withstanding
 Voltage: AC 500V For 1 minute
 Operating Temperature:-55°C--+105°C
 Contact: Brass
 Housing: Nylon 66(UL 94V-0)



要求:
 1. 塑料件无裂痕。
 2. 整排端子成一直线, 相邻端子之间相互平行。

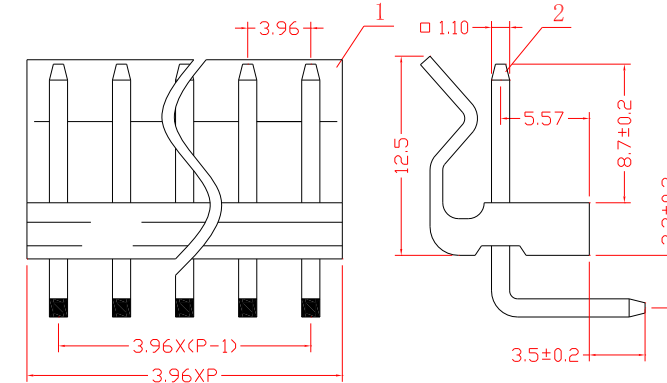
设计/Designed by	绘图/Drawing by	审核/Checked by	批准/Approved by	未注公差 General Tolerance
				X. ±0.2 X.' ±2' .X ±0.1 .X' ±1' .XX ±0.05 .XX' ±0.5 .XXX ±0.01
		图名/Title	文件编号/File No.	
		134(3.96)M	QJ/XYT-12072	
		直针产品图	页序/Sheet	
		备注/Remark	单位/Units: mm	

序号/RevNo. 更改记录/Revision note 签名/Signature 日期/Date

序号/RevNo.	名称/Title	文件编号/File No.
1	134(3.96)M塑料件	QJ/XYT-11152
2	134M端子(弯)	QJ/XYT-11155

Specifications:
 Contact Resistance: 30mΩ max.at DC 100 mA
 Insulator resistance: 1000MΩ min.at DC 500V
 Current Rating: 1AMP

Dielectric Withstanding
 Voltage: AC 500V For 1 minute
 Operating Temperature:-55°C--+105°C
 Contact: Brass
 Housing: Nylon 66(UL 94V-0)



要求:
 1. 塑料件无裂痕。
 2. 整排端子成一直线, 相邻端子之间相互平行。

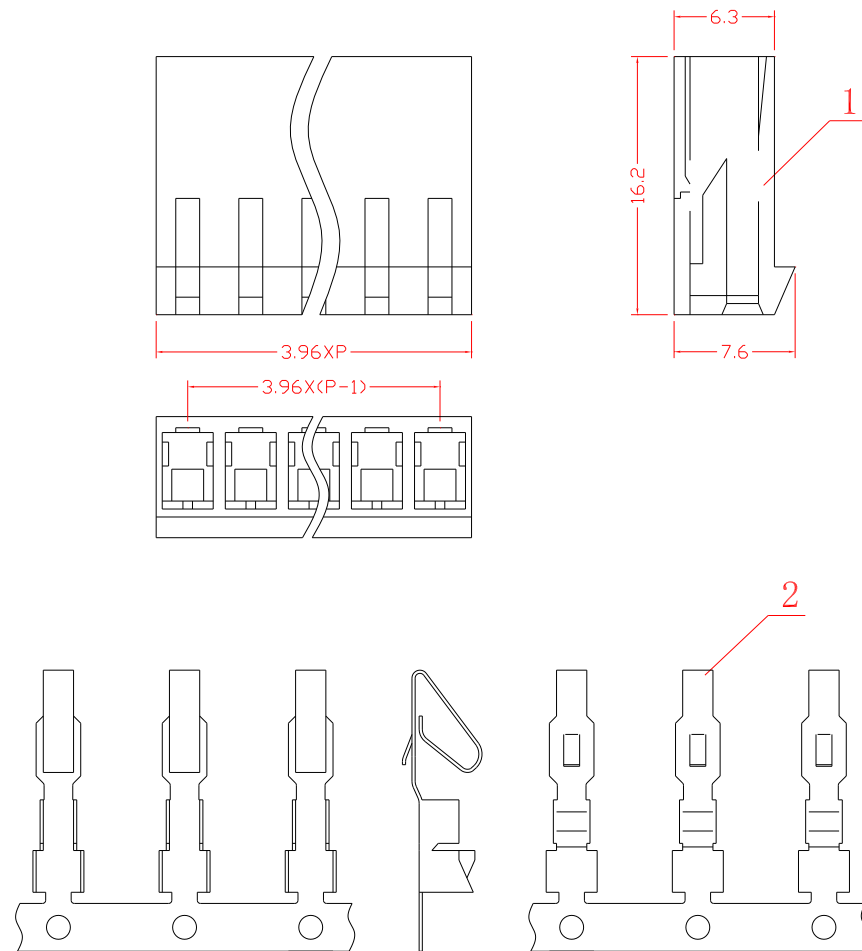
设计/Designed by	绘图/Drawing by	审核/Checked by	批准/Approved by	未注公差 General Tolerance
				X. ±0.2 X.' ±2' .X ±0.1 .X' ±1' .XX ±0.05 .XX' ±0.5 .XXX ±0.01
		图名/Title	文件编号/File No.	
		134(3.96)M	QJ/XYT-12073	
		弯针产品图	页序/Sheet	
		备注/Remark	单位/Units: mm	

序号/RevNo. 更改记录/Revision note 签名/Signature 日期/Date

序号/RevNo.	名称/Title	文件编号/File No.
1	134(3.96)F塑料件	QJ/XYT-11153
2	134F端子	QJ/XYT-11156

Specifications:
 Contact Resistance: 30mΩ max.at DC 100 mA
 Insulator resistance: 1000MΩ min.at DC 500V
 Current Rating: 1AMP

Dielectric Withstanding
 Voltage: AC 500V For 1 minute
 Operating Temperature:-55°C--+105°C
 Contact: Phosphor Bronze
 Housing: Nylon 66(UL 94V-0)



设计/Designed by	绘图/Drawing by	审核/Checked by	批准/Approved by	未注公差 General Tolerance
				X. ±0.2 X.' ±2' .X ±0.1 .X' ±1' .XX ±0.05 .XX' ±0.5 .XXX ±0.01
		图名/Title	文件编号/File No.	
		134(3.96)F	QJ/XYT-12074	
		产品图	页序/Sheet	
		备注/Remark	单位/Units: mm	

序号/RevNo. 更改记录/Revision note 签名/Signature 日期/Date