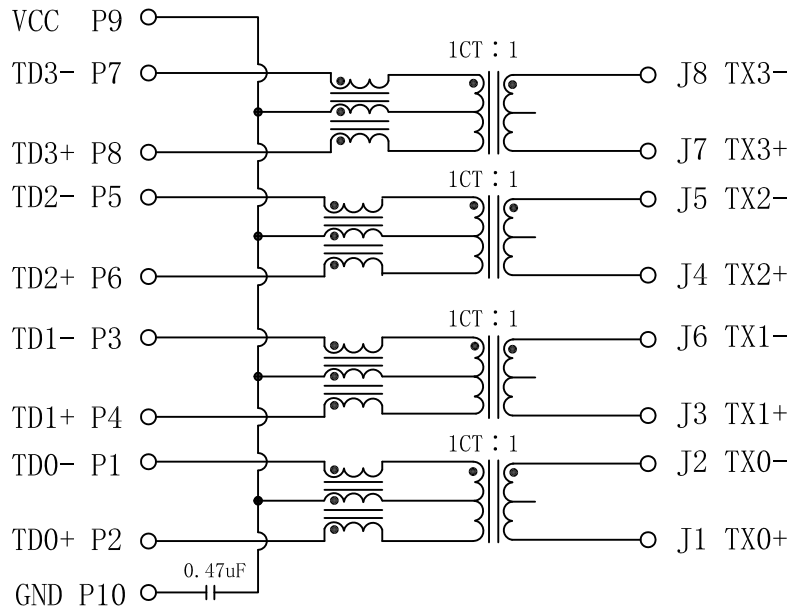


Schematic:

REV.	ECN NO.	DESCRIPTION	DATE	APPD
A	REL		2012/08/09	

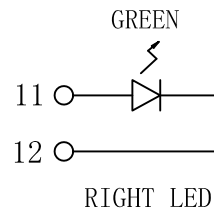
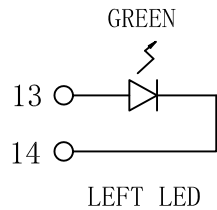
PCB CONNECTIONS



RJ45 CONNECTOR

Electrical Specifications @25°C

- Turns Ratio:
Pri:Sec = 1CT:1
- OCL: 350uH MIN
@100KHz, 0.1V, 8mA DC Bias.
- Insertion Loss:
1~100MHz:-1.0dB MAX
- Return Loss:
1~10MHz:-20dB MIN. load 100 Ω ±15 Ω
30MHz:-16dB MIN. load 100 Ω ±15 Ω
60~80MHz:-12dB MIN. load 100 Ω ±15 Ω
- Crosstalk:
1~10MHz:-40dB MIN
30~60MHz:-35dB MIN
60~100MHz:-30dB MIN
- Common Mode Rejection:
1~125MHz:-30dB MIN
125~500MHz:-20dB MIN
- HiPot Test: 1500Vrms MIN
- Operating Temperature: 0°C~70°C.

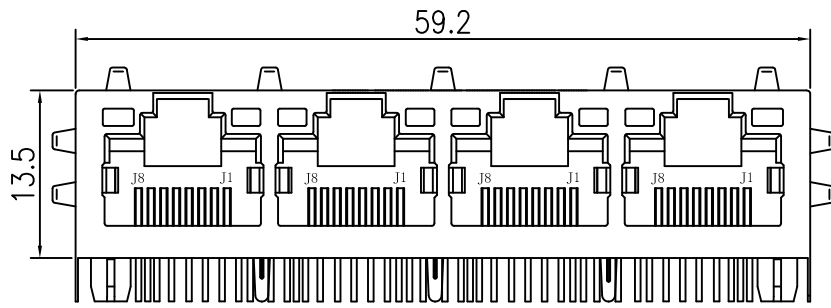


Emitting Color	λ p(nm)	VF@IF=20mA	IR @VR=5V
GREEN	565	1.8~2.6V	10 μA max

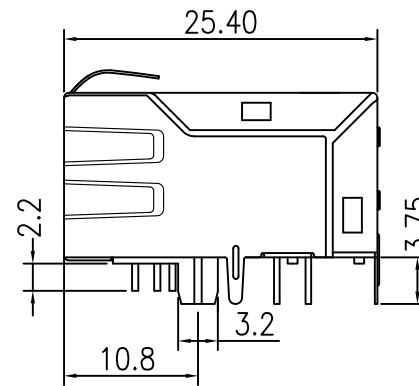
X:X	±0.30	APPD:	LINK-PP INT'L TECHNOLOGY CO., LIMITED
X:XX	±0.25	CHKD:	
X:XXX	±0.05	DR: TOM	TITLE: RJ45 Connector With 1000 Base-TX Integrated Magnetic
ANGLES	±1°	UNIT: mm	PART NO.: LPJG48851AFNL
	SCALE: 2/1	SHEET: 1/2	REV: A
			DWG: LP12080901

Mechanical:

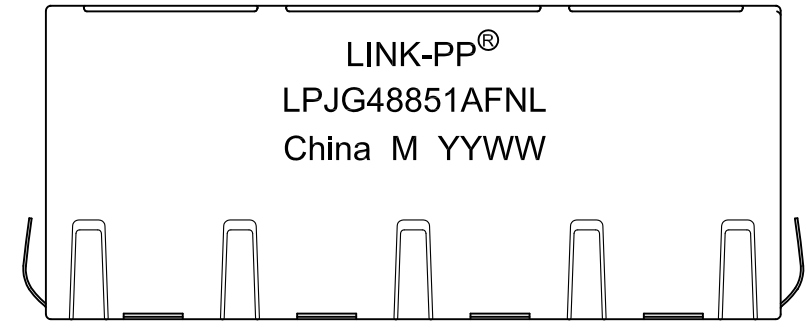
REV.	ECN NO.	DESCRIPTION	DATE	APPD
A	REL		2012/08/09	



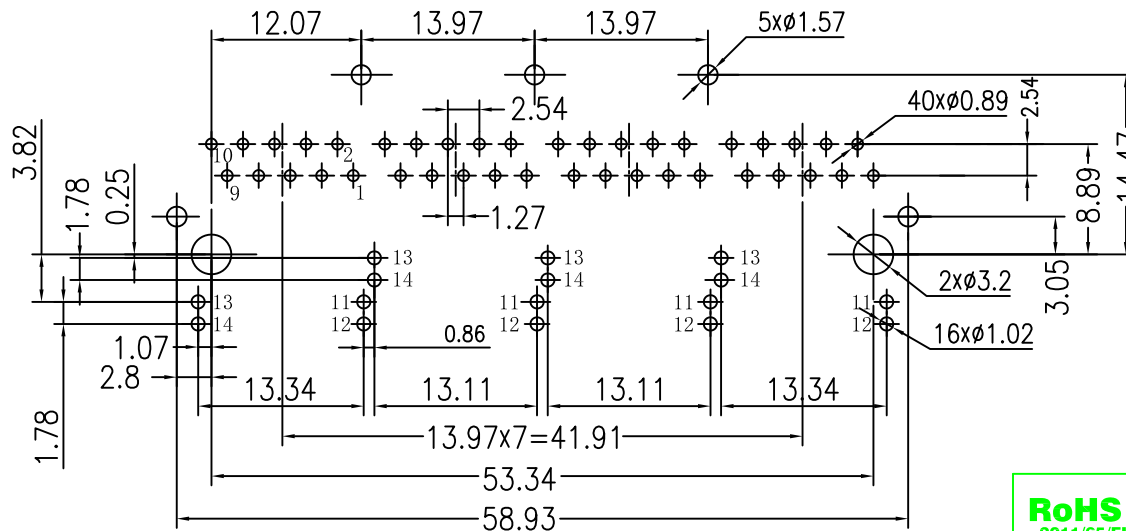
Front Side View



Left Side View



Top Side View



Suggested PCB Layout (Top View)



NOTES:

1. Designed to support application, such as SOHO (ADSL modems), LAN-on-Motherboard (LOM), hub and Switches.
2. Meets IEEE 802.3 specification
3. Connector Materials:
 Housing Material: Thermoplastic PBT+30%G.F UL94V-0
 Contact Material: Phosphor Bronze C5210R-EH Thickness=0.35mm
 Pins: Brass C2680R-H Thickness=0.35mm
 Shield: SUS 201-1/2H Thickness=0.2mm
 Contact plating: Gold 6 micro-inches min. In contact area.
4. Wave solder tip temperature: 265°C Max, 5 Sec.
5. UL Certification: File Number E484635.

X:X	±0.30	APPD:	LINK-PP INT'L TECHNOLOGY CO., LIMITED
X:XX	±0.25	CHKD:	
X:XXX	±0.05	DR: TOM	TITLE: RJ45 Connector With 1000 Base-TX Integrated Magnetic
ANGLES	±1°	UNIT: mm	PART NO.: LPJG48851AFNL
	SCALE: 2/1	SHEET: 2/2	REV: A DWG: LP12080901