

# CGA4J1X7R1H475K125AE

TDK Item Description : CGA4J1X7R1H475KT\*\*\*S



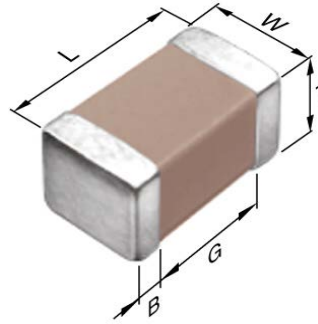
Equivalent C2012X7R1H475K for Automotive

## Application & Main Feature

Automotive Grade ( Soft Termination )

## Series

CGA4(2012) [EIA 0805]



## Dimensions

L	2.00mm +0.45,-0.2mm
W	1.25mm +0.25,-0.2mm
T	1.25mm +0.25,-0.2mm
B	0.20mm Min.
G	0.50mm Min.

## Temperature Characteristic

X7R (-55 to 125 degC +/-15%)

## Rated Voltage

1H(50Vdc)

## Capacitance

4.7uF

## Capacitance Tolerance

K (±10%)

## Dissipation Factor

5% Max.

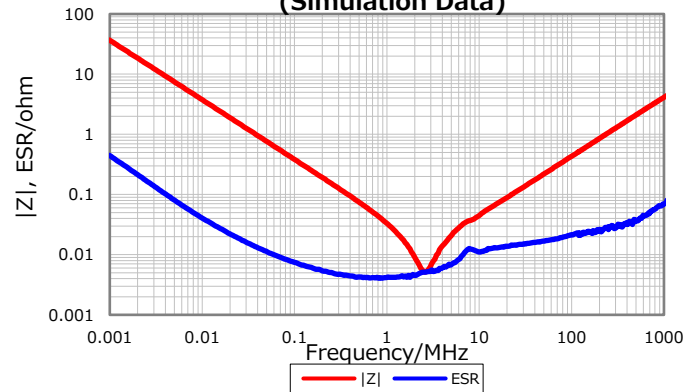
## Insulation Resistance

106Mohm Min.

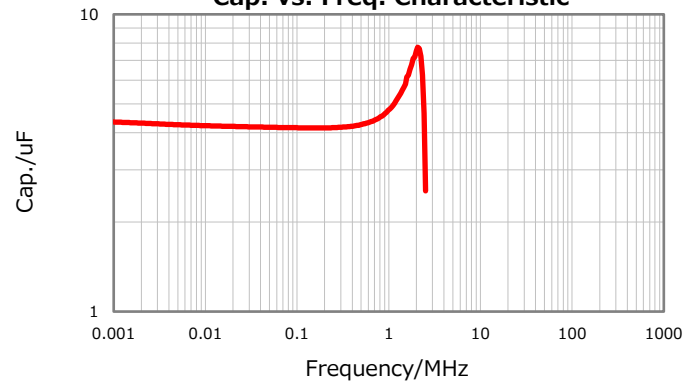
## AEC-Q200

Yes

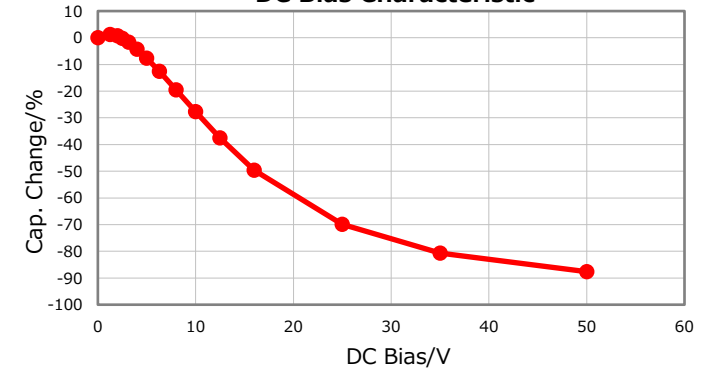
## |Z|, ESR vs. Freq. Characteristics (Simulation Data)



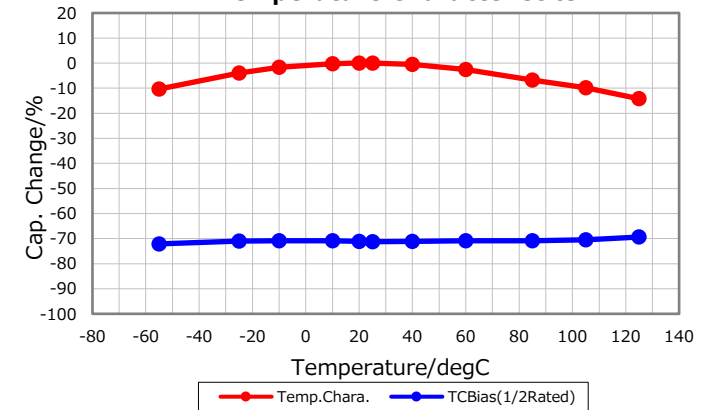
## Cap. vs. Freq. Characteristic



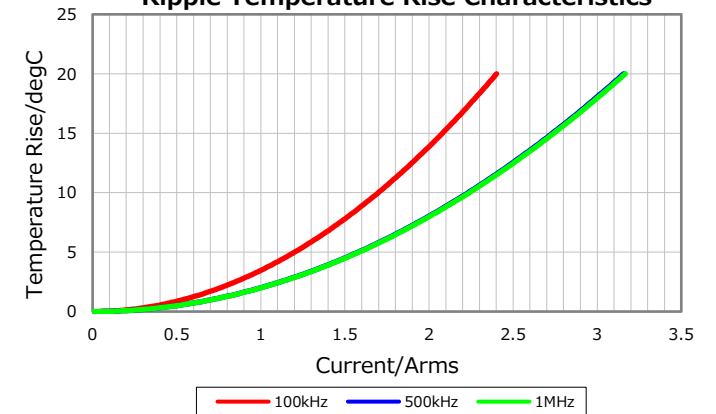
## DC Bias Characteristic



## Temperature Characteristics



## Ripple Temperature Rise Characteristics



Characterization Sheet ( Multilayer Ceramic Chip Capacitors )



All specifications are subject to change without notice.

November 14, 2018