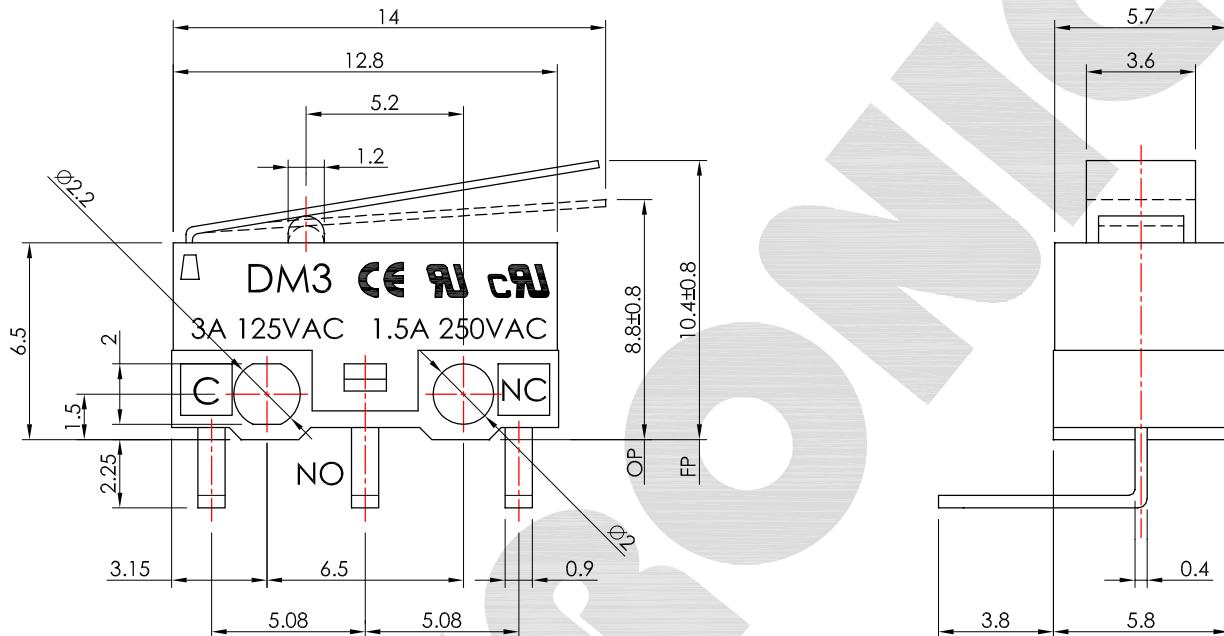
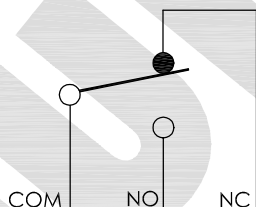


本圖面若與目錄之規格尺寸不符，以本圖面規格尺寸為主。
Below is our main specification if different from catalog.

RoHS compliant



SCHEMATIC



RoHS compliant

DM3-01C-XXG-G

OPERATING FORCE
20, 25, 30, 35, 40

SPECIFICATION

- Rating: 3A 125V AC / 1.5A 250V AC.
- Insulation resistance: $\geq 100M\Omega$ 500V DC(initial).
- Withstand voltage: 500V AC for 1 minute(initial).
- Contact resistance: $\leq 100m\Omega$ (Initial).
- Mechanical life: 500,000 Cycles.
- Electrical life: 10,000 Cycles.
- Operating temperature: $-25^{\circ}C \sim +75^{\circ}C$.
- Ambient humidity used: $< 85\%RH$.
- Operating force: $30 \pm 15g$.
- Return force: $\leq 5ms$.
- Soldering temperature: $225^{\circ}C$ Max for 3 Sec.
- Soldering time: 1 time only.
- Note: Not washable, don't immerse into epoxy and organic solvent.



V2.2	△		
V2.1	無	圖框改版	2007.09.12
V2.0	無	新繪製	2003.12.24
版本 VER.	符號 SYMBOL	修改內容 ALTERATION	更新日期 DATE

產品 PRODUCT		Miniature Micro Switch		型號 MODEL NO.		DM3-01C-30G-G	
比例 SCALE	4 : 1	單位 UNIT	mm	<p>一綺電子企業股份有限公司 總公司：110 台北市信義路四段415號13樓之3 13F-3 NO. 415, SEC. 4, HSIN YI ROAD, TAIPEI, TAIWAN TEL : 886-2-27290229(Rep.) FAX : 886-2-27582086 URL : http://www.switronic.com.tw E-MAIL : switches@ms36.hinet.net</p>			
公差 TOLERANCE	.X=±0.3mm, .XX=±0.2mm						
製圖 DRAWN BY	核圖 CHECKED BY	主管 APPROVED BY					
Jack Liao	Alex Lin	Margaret Lee					