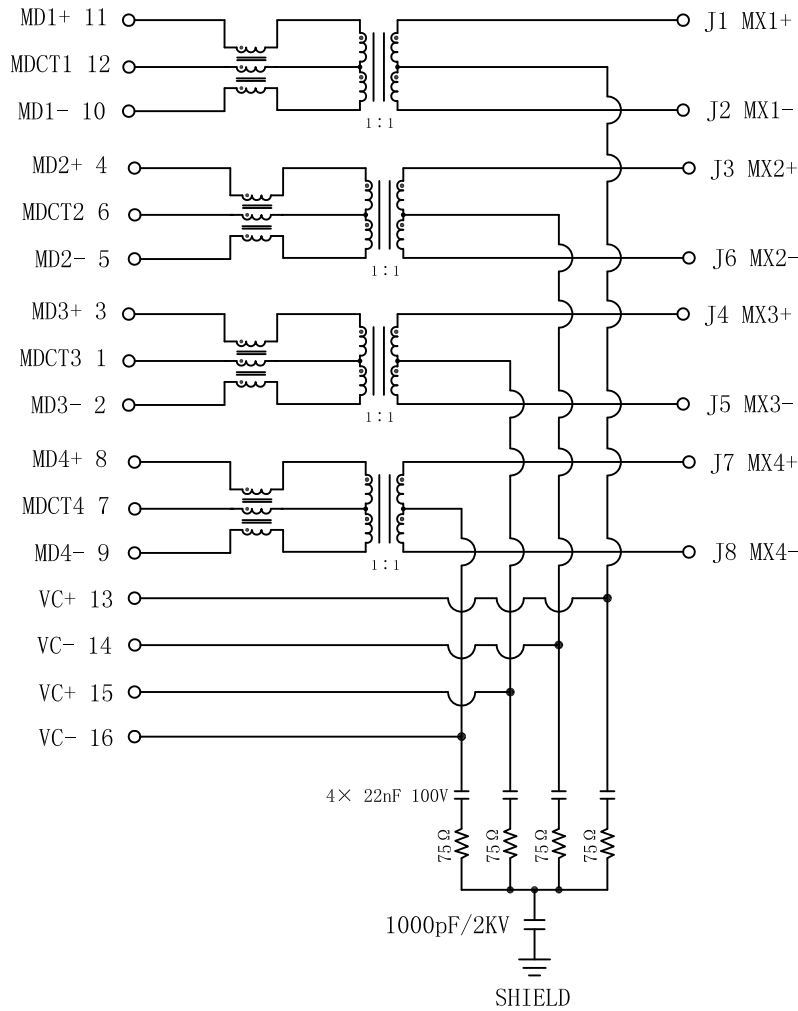


Schematic :

REV.	ECN NO.	DESCRIPTION	DATE	APPD
A	REL		2013-12-26	

PC BOARD CONNECTIONS

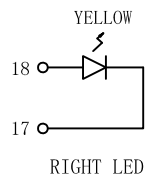
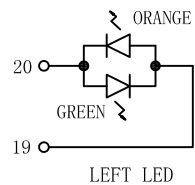


RJ45 CONNECTOR

Electrical Specifications @25°C

- Inductance: 350uH Min
@ 100KHz, 0. 1V, 8mA DC BIAS
- Turns Ratio($\pm 2\%$):
1CT:1CT
- Insertion Loss:
1-100MHz:-1.0dB Max
- Return Loss(load 100 Ω):
1-30MHz:-18dB Min
30-60MHz:-16dB Min
60-80MHz:-12dB Min
80-100MHz:-10dB Min
- Crosstalk:
1-100MHz:-30dB Min
- Common Mode Rejection:
1-100MHz:-30dB Min
- Balanced DC Line Current:
720mA Max @57VDC CONTINUOUS
1.2A Max @57VDC For 200 Miliseconds
- Hipot: 1500Vrms Min @60Hz
- Operating Temperature: -40°C ~+85°C.

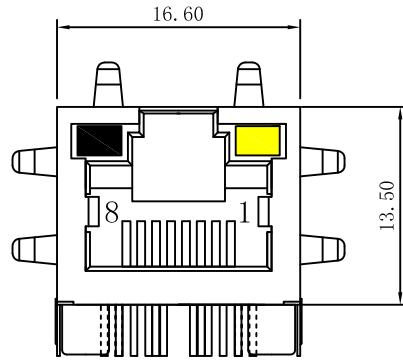
Emitting Color	λ p(nm)	VF@IF=20mA	IR @VR=5V
Orange/Green	610/570	1.8~2.6V	10 μ A max
Yellow	585	1.8~2.6V	10 μ A max



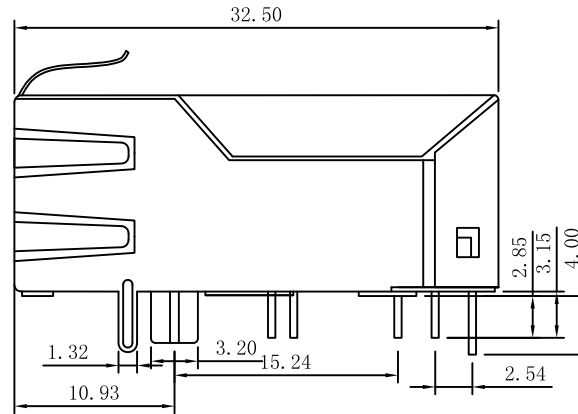
X:X	± 0.30	APPD:	LINK-PP INT'L TECHNOLOGY CO., LIMITED	
X:XX	± 0.25	CHKD:	TITLE: RJ45 Connector with 1000 Base-T Integrated Magnetics For PoE+ Application	
X:XXX	± 0.05	DR: TOM	PART NO. : LPJK6071AONL	
ANGLES	$\pm 1^\circ$	UNIT: mm	PART NO. : LPJK6071AONL	
	SCALE: 2/1	SHEET: 1/2	REV: A	DWG NO. : LP13122612

Mechanical :

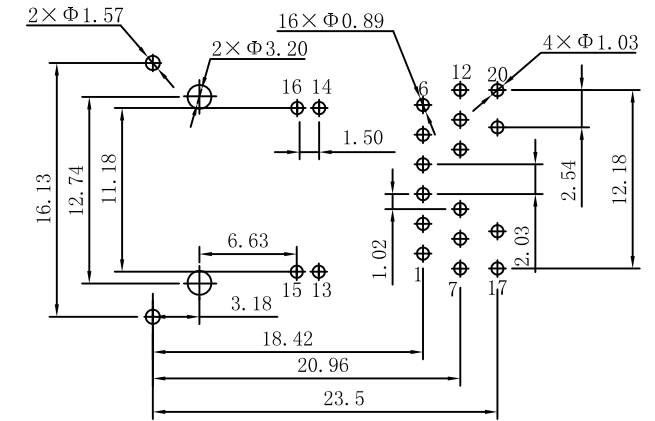
REV.	ECN NO.	DESCRIPTION	DATE	APPD
A	REL		2013-12-26	



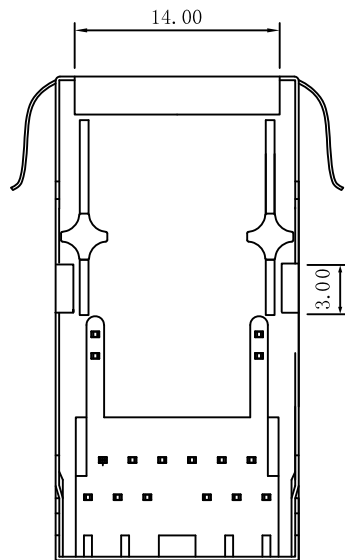
Front Side View



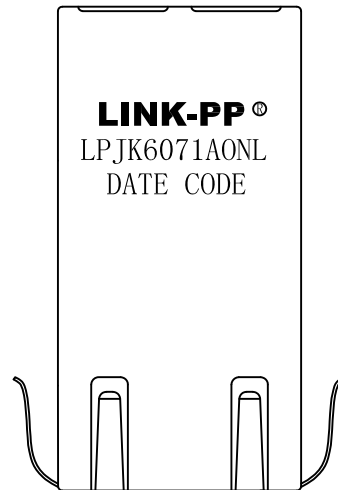
Left Side View



Suggested PCB Layout (Top View)



Bottom Side View



Top Side View

NOTES:

1. Designed to support application, such as SOHO (ADSL modems), LAN-ON-Motherboard (LOM), hub and Switches.
2. Meets IEEE 802.3at specification
3. Connector Materials:
 Housing Material: Thermoplastic PBT+30%G.F UL94V-0
 Contact Material: Phosphor Bronze C5210R-EH Thickness=0.35mm
 Pins: Brass C2680R-H Thickness=0.35mm
 Shield: Copper alloy Brass H65Y Thickness=0.2mm
 Contact plating: Gold 6 micro-inches min. In contact area.
4. Wave solder tip temperature: 265°C Max, 5 Sec Max

X:X ±0.30	APPD:	LINK-PP INT'L TECHNOLOGY CO., LIMITED
X:XX ±0.25	CHKD:	
X:XXX ±0.05	DR: TOM	TITLE: RJ45 Connector with 1000 Base-T Integrated Magnetics For PoE+ Application
ANGLES ±1°	UNIT: mm	PART NO.: LPJK6071AONL
	SCALE: 2/1	SHEET: 2/2
	REV: A	DWG NO.: LP13122612