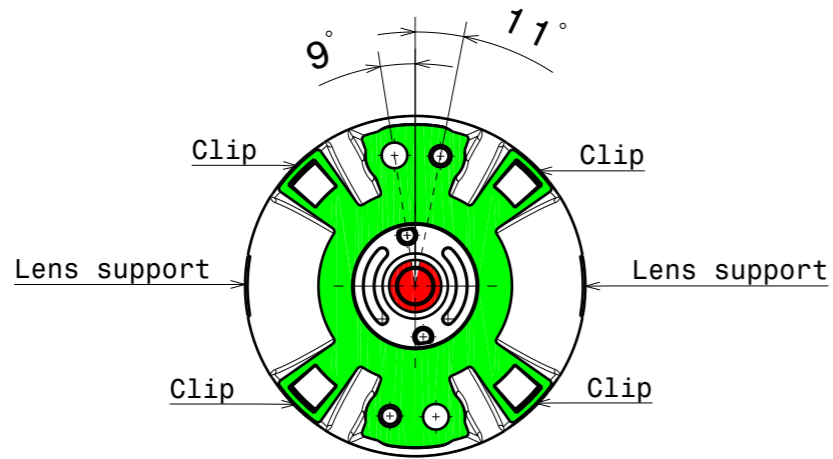
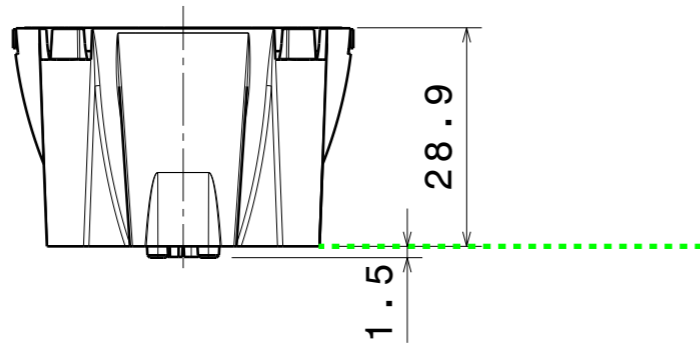


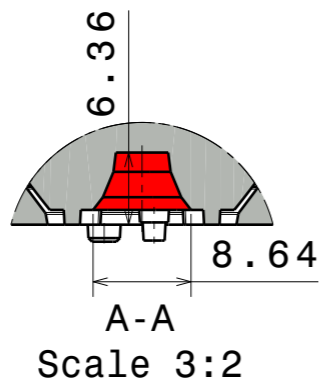
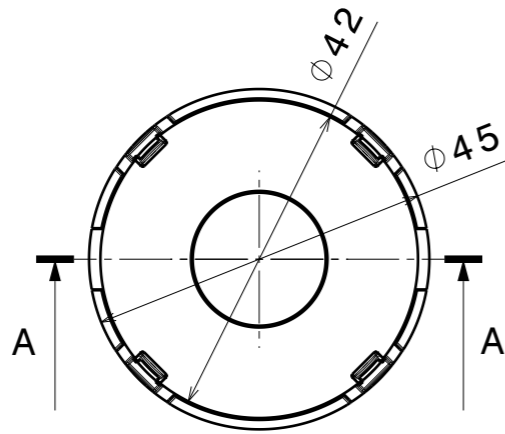
Bottom view
Scale: 1:1



Front view
Scale: 1:1



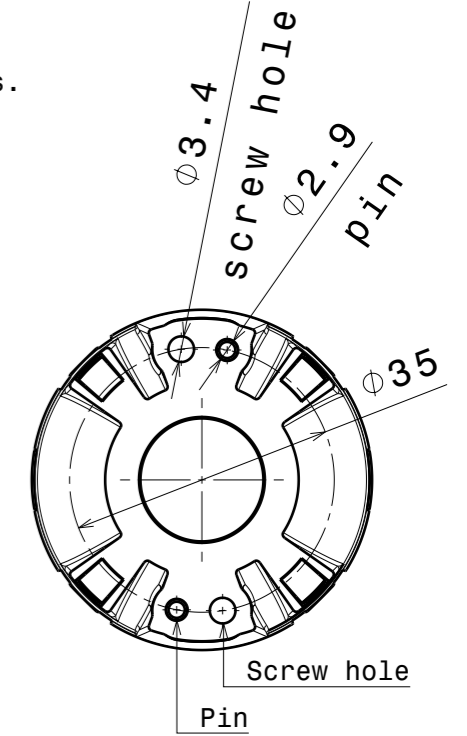
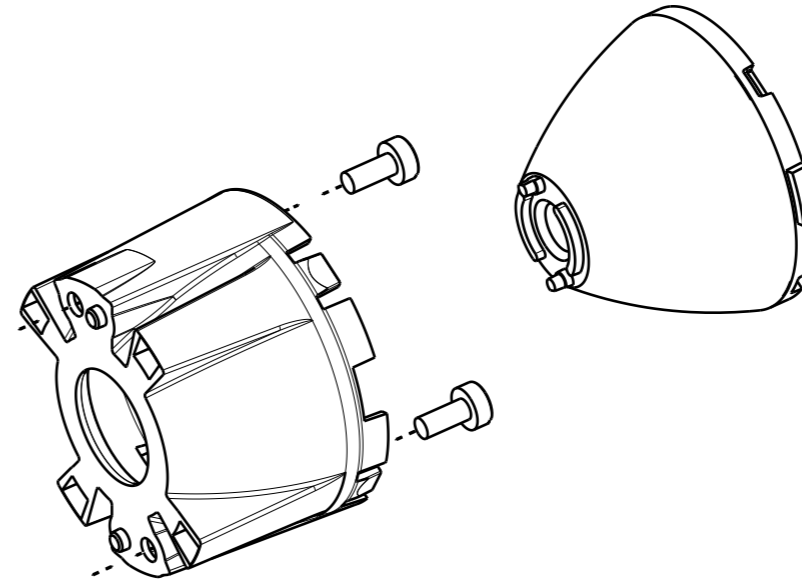
Top view
Scale: 1:1



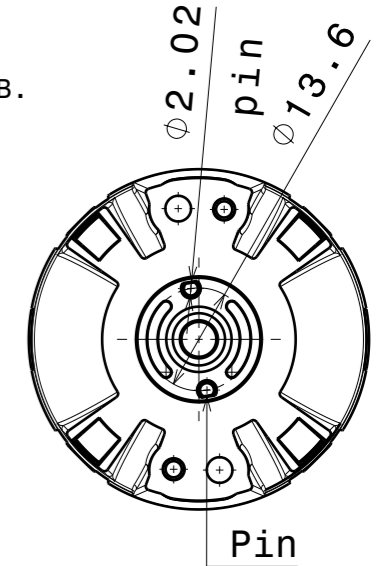
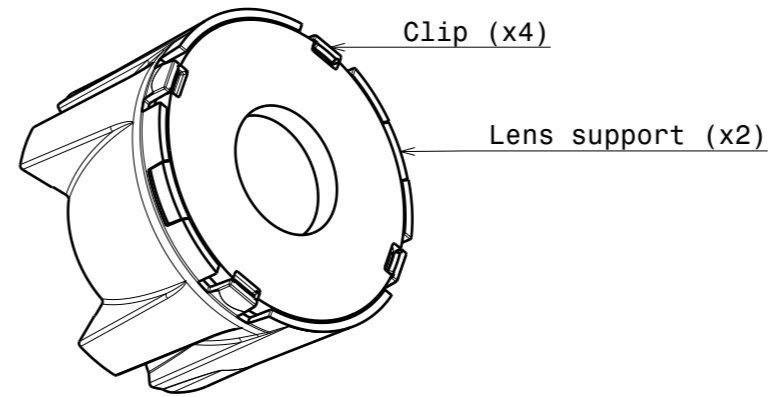
Notes:

- 1. PCB level
- 2. Ensure exact led fitting from www.ledil.com and/or 3d mechanical model to count led structural variation such as LED dome shape and led base size.

1. Place holder towards PCB using location pins as guide elements.
2. Fix holder with 2pcs M3 screw.



3. Place lens support features into relative holes in the holder, please note that the location pins on the lens goes through the PCB.
4. Press optic until 4 clips each locked.



INDEX	PART NO	DESCRIPTION	MATERIAL	COLOUR
1	C15528	GABRIELLA-45-HLD	PC	BLACK
2	C15810	GABRIELLA-45-M	PMMA	CLEAR

Tolerances if not otherwise shown
According to DIN ISO 2768-1
Linear measures:
Up to 30mm class M, otherwise class C.
According to DIN ISO 2768-2
Form and position: class L

LEDiL Ledil Oy
Salorankatu 10
FIN 24240 SALO
Finland

THIRD ANGLE PROJECTION:

DRAWING TITLE
CN15815_GABRIELLA-45-M

This drawing is the property of LEDiL Oy. It may not be reproduced, copied or communicated without a written agreement with LEDiL Oy.

SIZE	PART NUMBER
A3	CN15815
SCALE 1:1	WEIGHT - g
SHEET 1/1	