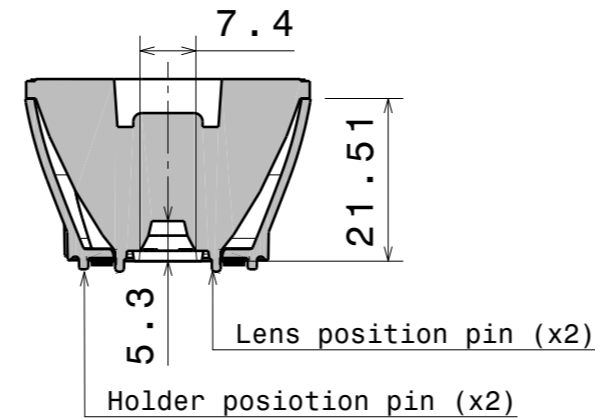
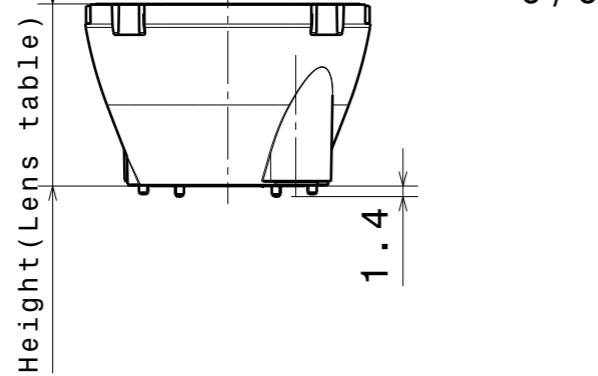
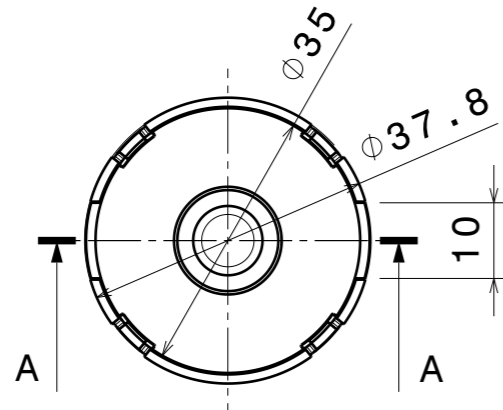


Front view
Scale: 1:1

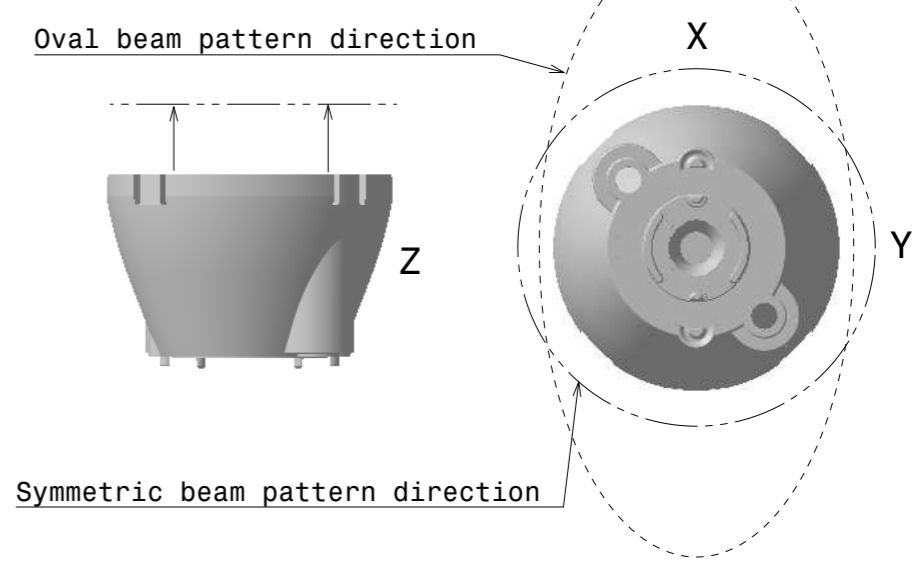
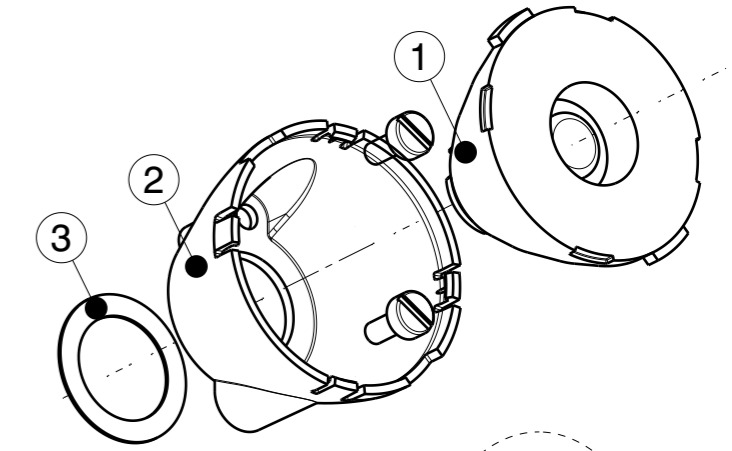


Top view
Scale: 1:1



Notes

- PCB or Heat Sink level
- Led location see marking.
- Ensure LED fitting, see our web site and/or 3D model for part detail.
- See more information on page 2,3,4
- Optional parts can be shown in drawing.



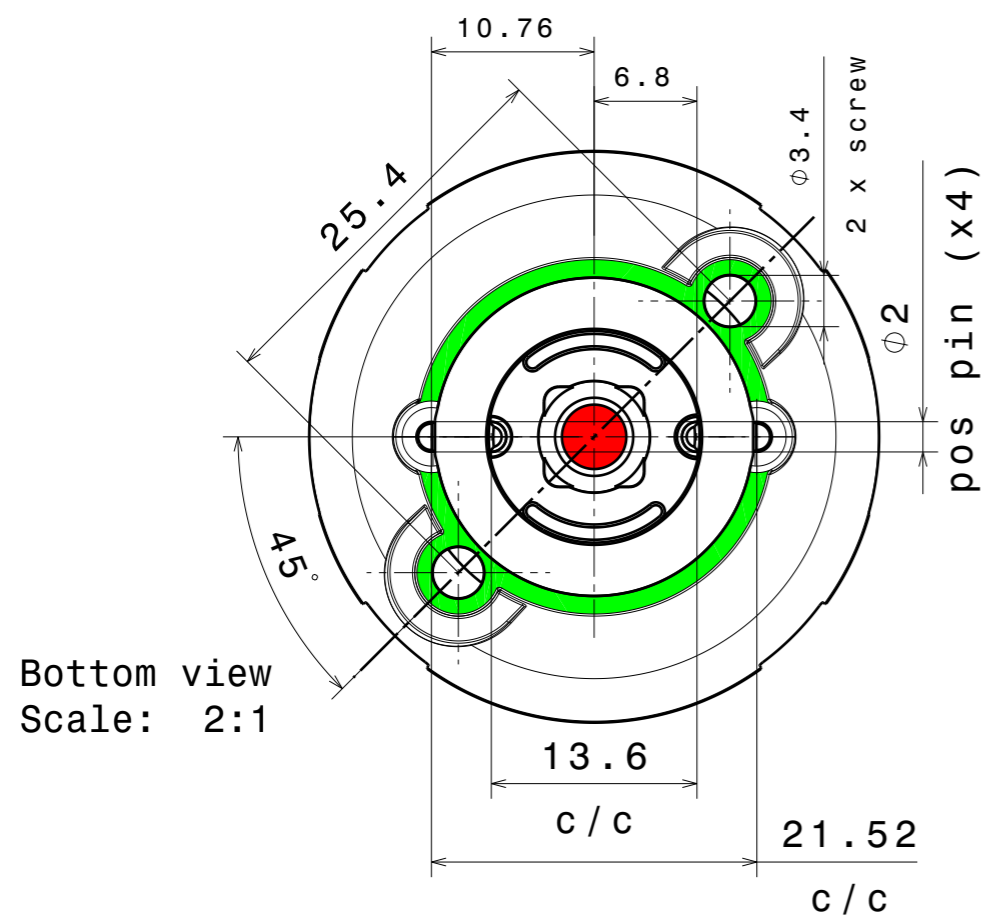
Lens table		
ASSEMBLY CODE	Lens	Height
CA16202_GABRIELLA-MIDI-S	C16193_GABRIELLA-MIDI-S	24.08mm
CA16203_GABRIELLA-MIDI-M	C16194_GABRIELLA-MIDI-M	24.08mm
CA16204_GABRIELLA-MIDI-W	C16195_GABRIELLA-MIDI-W	24.17mm
CA16205_GABRIELLA-MIDI-O	C16196_GABRIELLA-MIDI-O	24.29mm

ASSEMBLY COMPONENTS

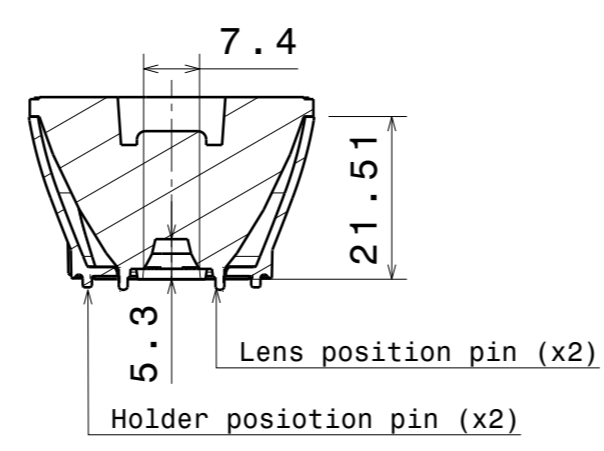
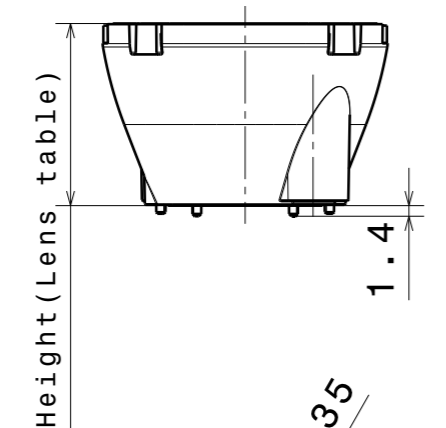
INDEX	PRODUCT	TYPE	MATERIAL	COLOUR/COATING
1	GABRIELLA-MIDI-Lens (See assembly table)	LENS	PMMA	CLEAR
2	C16192_GABRIELLA-MIDI-HLD	HOLDER	PC	BLACK
3	C16306_GABRIELLA-MIDI-TAPE	TAPE	PU	BLACK

MECHANICAL DRAWING		LEDiL [®]
PRODUCT GABRIELLA-MIDI		
Tolerances if not otherwise shown According to DIN ISO 2768-1 Linear measures: Up to 30mm class M, otherwise class C. According to DIN ISO 2768-2 Form and position: class L	FIRST ANGLE PROJECTION: 	This drawing is the property of LEDiL Oy. It may not be reproduced, copied or communicated without a written agreement with LEDiL Oy.
SCALE	1:1	SIZE A3
		SHEET 1/4

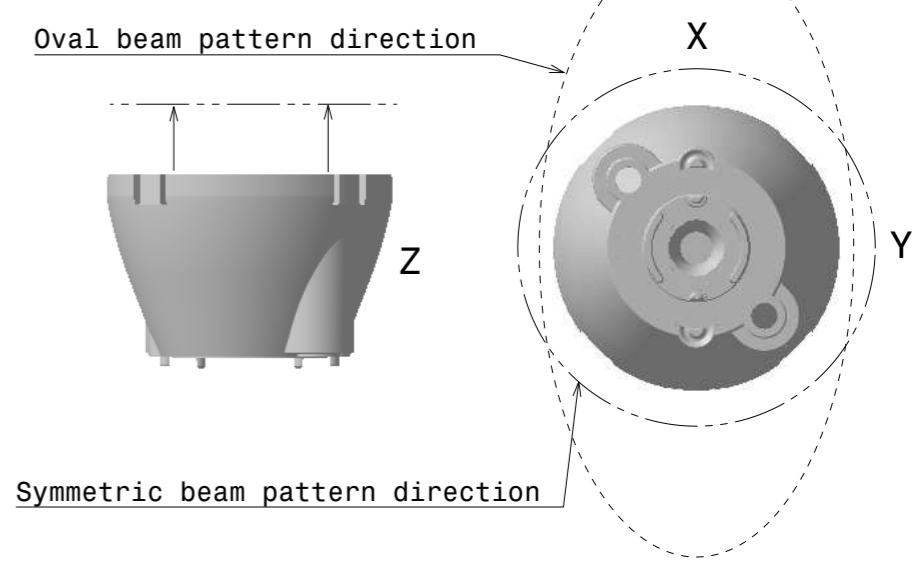
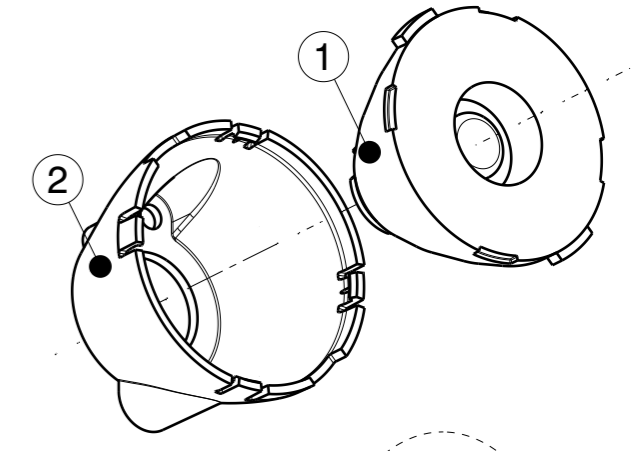
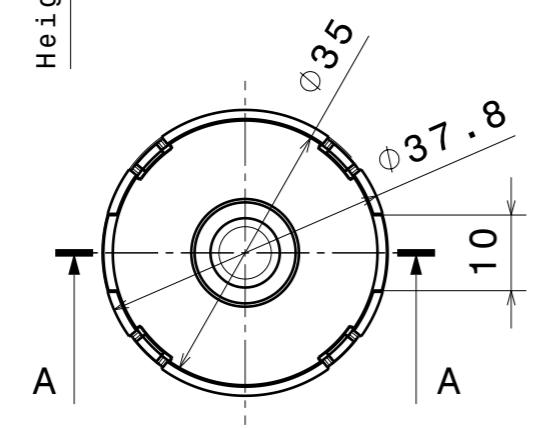
H G F E D C B A



Front view
Scale: 1:1



Top view
Scale: 1:1



Lens table		
ASSEMBLY CODE	Lens	Height
CN16208_GABRIELLA-MIDI-S	C16193_GABRIELLA-MIDI-S	24.08mm
CN16209_GABRIELLA-MIDI-M	C16194_GABRIELLA-MIDI-M	24.08mm
CN16210_GABRIELLA-MIDI-W	C16195_GABRIELLA-MIDI-W	24.17mm
CN16211_GABRIELLA-MIDI-O	C16196_GABRIELLA-MIDI-O	24.29mm

ASSEMBLY COMPONENTS				
INDEX	PRODUCT	TYPE	MATERIAL	COLOUR/COATING
1	GABRIELLA-MIDI-Lens (See lens table)	LENS	PMMA	CLEAR
2	C16192_GABRIELLA-MIDI-HLD	HOLDER	PC	BLACK

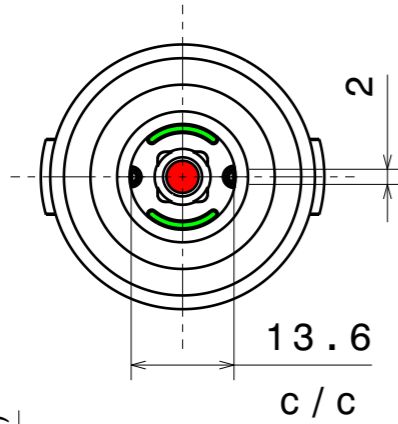
Notes

	PCB or Heat Sink level
	Led location see marking.
	Ensure LED fitting, see our web site and/or 3D model for part detail.

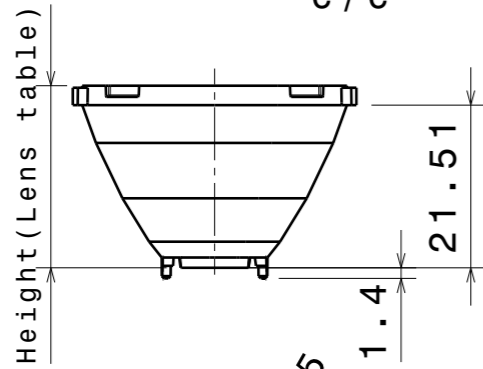
MECHANICAL DRAWING					
PRODUCT GABRIELLA-MIDI					
Tolerances if not otherwise shown According to DIN ISO 2768-1 Linear measures: Up to 30mm class M, otherwise class C. According to DIN ISO 2768-2 Form and position: class L	FIRST ANGLE PROJECTION: 	This drawing is the property of LEDiL Oy. It may not be reproduced, copied or communicated without a written agreement with LEDiL Oy.			
SCALE	1:1	SIZE	A3	SHEET	3/4

H G F E D C B A

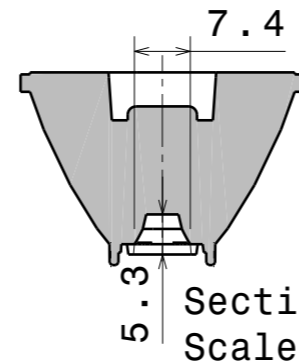
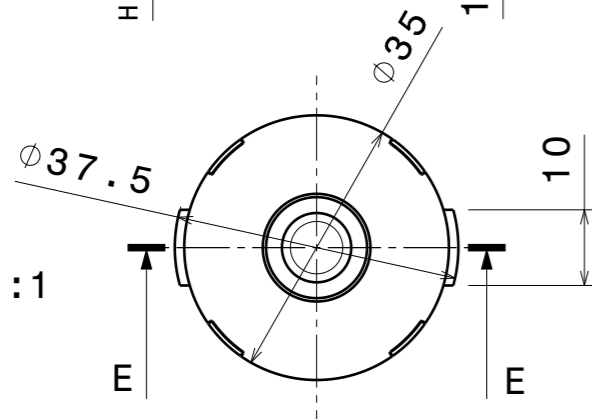
Bottom view
Scale: 1:1



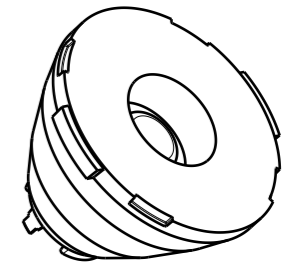
Front view
Scale: 1:1



Top view
Scale: 1:1



Section view E-E
Scale: 1:1



Isometric view
Scale: 1:1

Lens table	
Lens	Height
C16193_GABRIELLA-MIDI-S	24.08mm
C16194_GABRIELLA-MIDI-M	24.08mm
C16195_GABRIELLA-MIDI-W	24.17mm
C16196_GABRIELLA-MIDI-O	24.29mm

COMPONENTS

INDEX	PRODUCT	TYPE	MATERIAL	COLOUR/COATING
1	GABRIELLA-MIDI-Lens (See assembly table)	LENS	PMMA	CLEAR

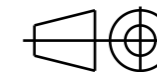
MECHANICAL DRAWING

PRODUCT
GABRIELLA-MIDI

LEDiL®

Tolerances if not otherwise shown
According to DIN ISO 2768-1
Linear measures:
Up to 30mm class M, otherwise class C.
According to DIN ISO 2768-2
Form and position: class L

FIRST ANGLE PROJECTION:



This drawing is the property of LEDiL Oy. It may not be reproduced, copied or communicated without a written agreement with LEDiL Oy.

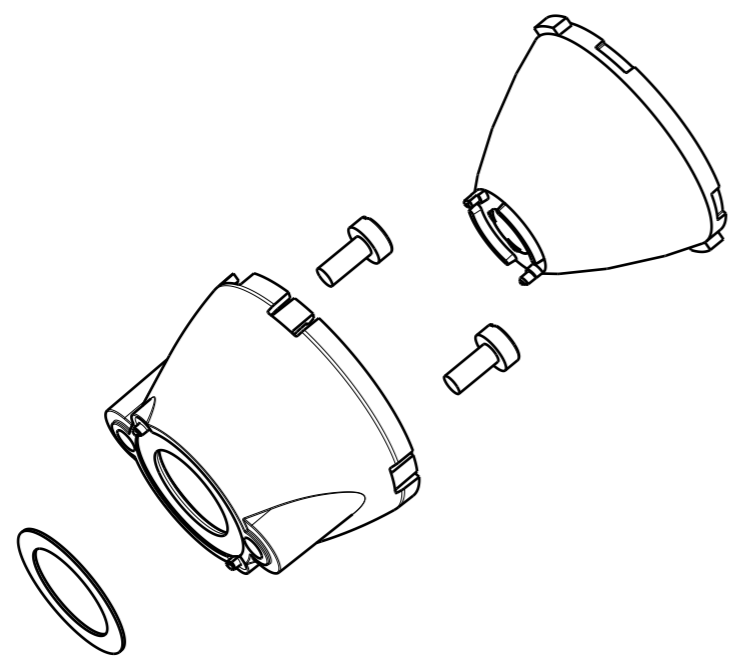
SCALE	1:1	SIZE	A3	SHEET	2/4
-------	-----	------	----	-------	-----

Notes

	PCB or Heat Sink level
	Led location see marking.
	Ensure LED fitting, see our web site and/or 3D model for part detail.

4

4



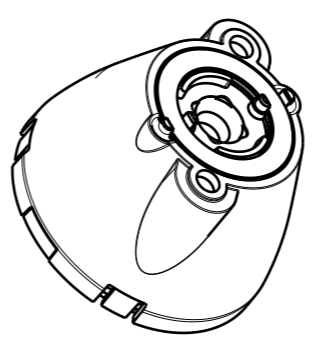
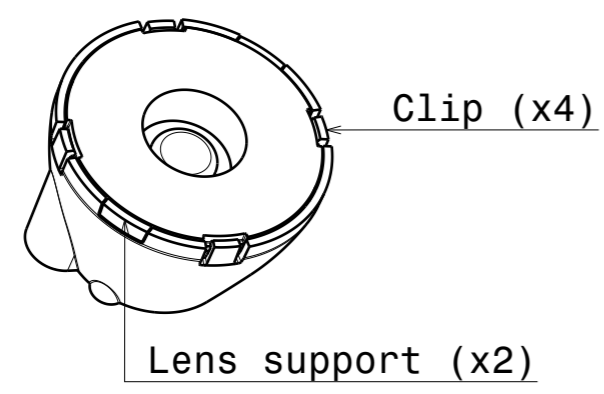
1. Place holder on PCB using the holder location pins as guide elements. Holder is fixed either by with on-board PU-tape or M3 screw with max 0.6Nm torque.

2. Place lens support features into relative holes in the holder, please note that the location pins on the lens goes through the PCB.

3. Press optic until 4 clips each locked.

3

3

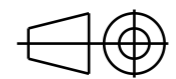


2

2

1

1

MECHANICAL DRAWING		LEDiL[®]
PRODUCT GABRIELLA-MIDI		
Tolerances if not otherwise shown According to DIN ISO 2768-1 Linear measures: Up to 30mm class M, otherwise class C. According to DIN ISO 2768-2 Form and position: class L	FIRST ANGLE PROJECTION: 	This drawing is the property of LEDiL Oy. It may not be reproduced, copied or communicated without a written agreement with LEDiL Oy.
SCALE 1:1	SIZE A3	SHEET 4/4