

D

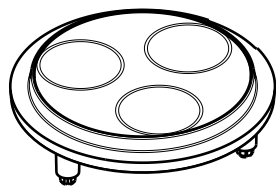
C

B

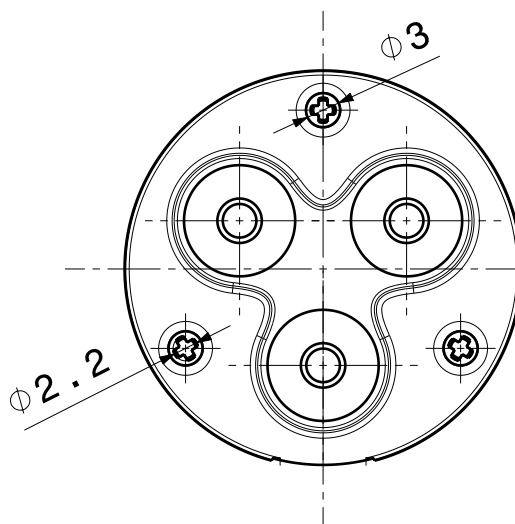
A

DATE

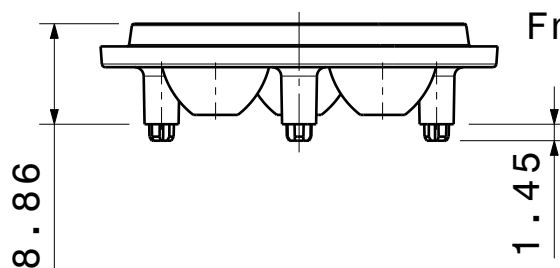
27.06.2018



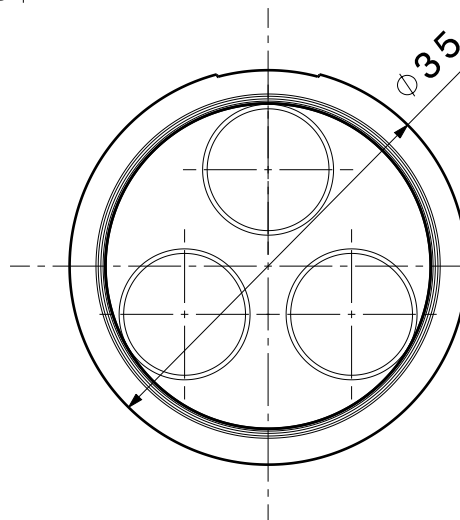
Isometric view
Scale 1:1



Bottom view



Front view



Top view

Part no.s:

C10891_GT3-XP-S
C10891_GT3-XP-G-S
C10891_GT3-OSL-S
C10891_GT3-DD-S
C10891_GT3-RE-ES-M
C10891_GT3-Z5-S
C10892_GT3-XP-M
C10892_GT3-XP-G-M
C10892_GT3-OSL-M
C10892_GT3-DD-M
C10892_GT3-XP-M
C10892_GT3-Z5-M
C10893_GT3-XP-W
C10893_GT3-XP-G-W
C10893_GT3-OSL-W
C10893_GT3-DD-W
C10893_GT3-RE-ES-W
C11623_GT3-RE-VW
C11623_GT3-N19-VW
C11624_GT3-XP-VW
C11624_GT3-XP-G-VW
C11624_GT3-OSL-VW
C11624_GT3-DD-VW
C11624_GT3-Z5-VW

TYPE	MATERIAL	COLOR / COATING
LENS	PMMA	CLEAR

MECHANICAL DRAWING

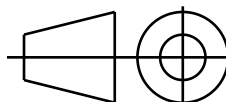
PRODUCT

GT3

LEDiL®

Plastic moulding general tolerances according to DIN 16901-130 and applies if not otherwise shown in the drawing.
Silicone moulding general tolerances according to ISO 3302-1 Class M3 and applies if not otherwise shown in the drawing.

FIRST ANGLE PROJECTION:



This drawing is the property of LEDiL Oy. It may not be copied or otherwise distributed without prior written permission from LEDiL Oy.

SCALE 3:2

WEIGHT -

A4 SHEET 1/1

D

A