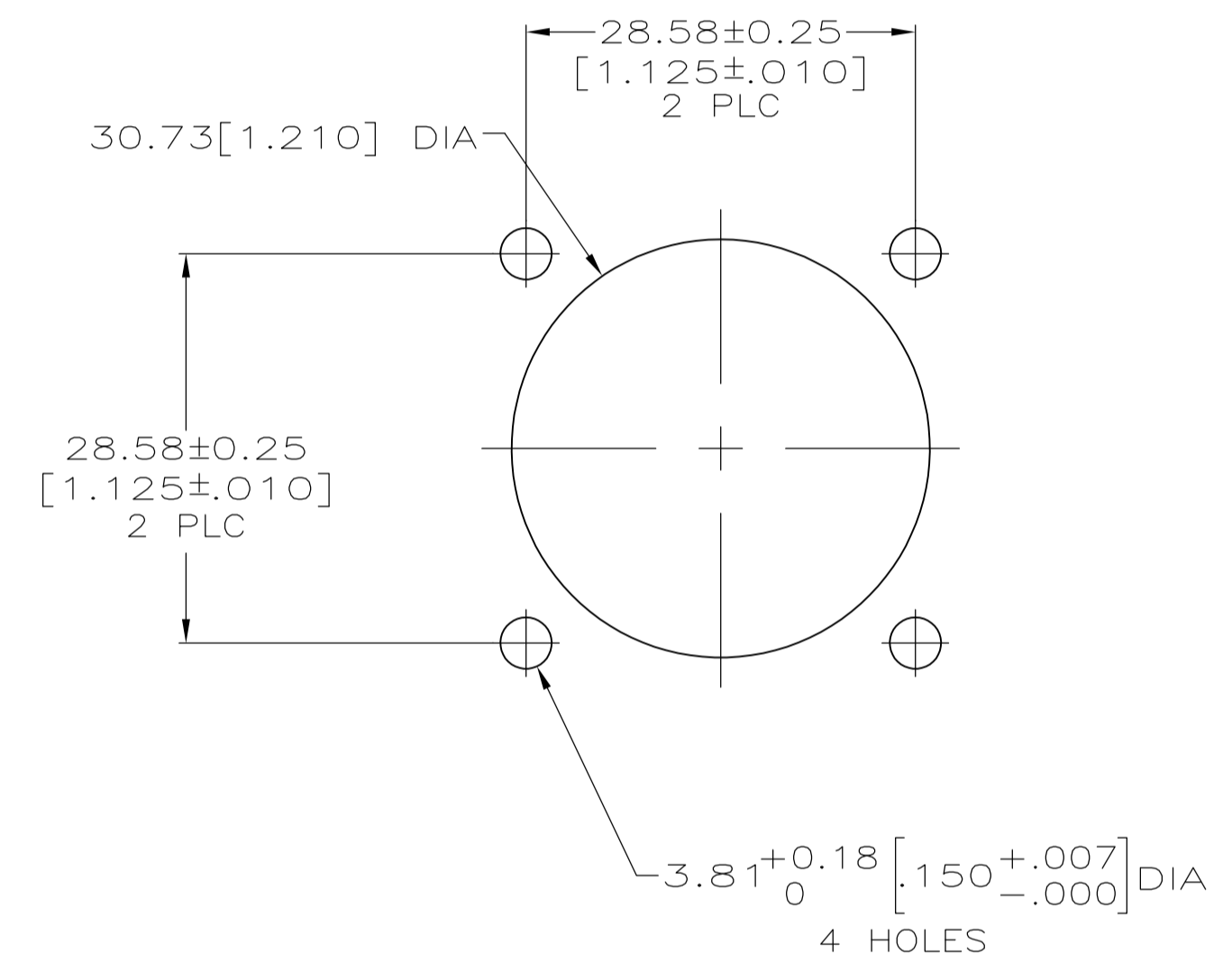
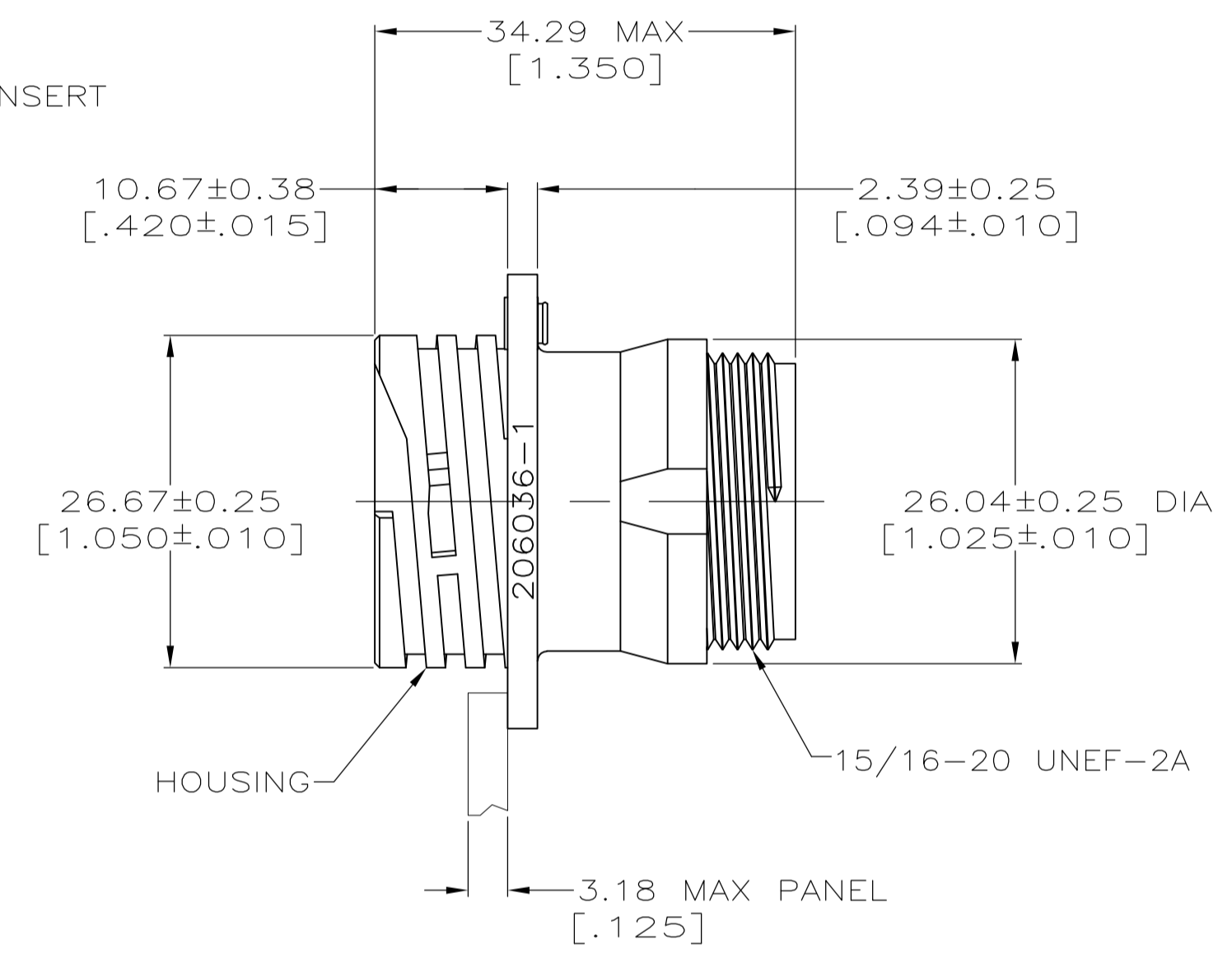
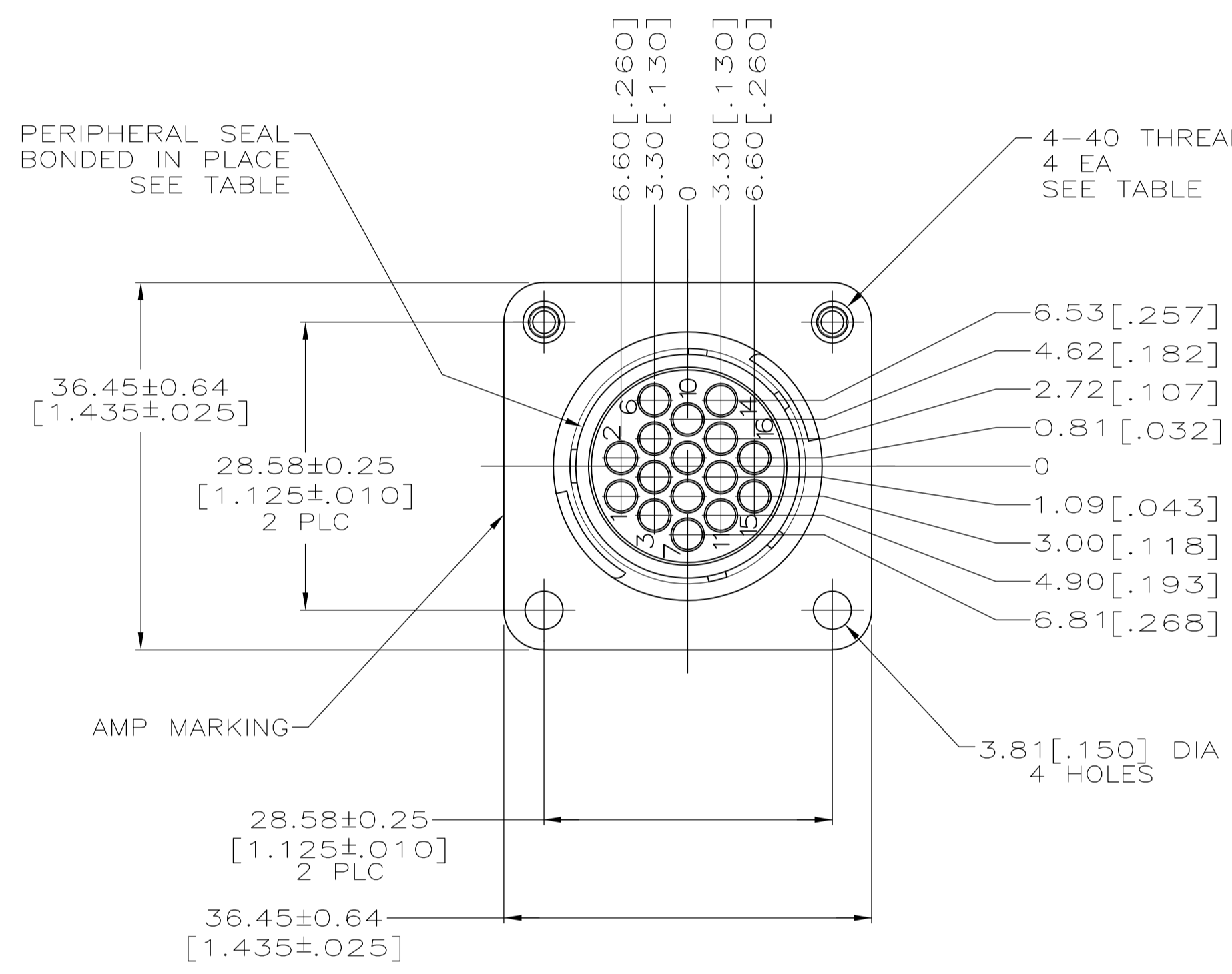


- △ HOUSING: NYLON, BLACK.
PERIPHERAL SEAL: ELASTOMER, GRAY.
THREADED INSERTS: BRASS.
- 2. CAVITY IDENTIFICATION ON FRONT AND REAR FACE.
- 3. WILL ACCEPT (16) MULTIMATE PIN CONTACTS.
- △ HOUSING: NYLON, BLUE.
PERIPHERAL SEAL: ELASTOMER, GRAY.
THREADED INSERTS: BRASS.
- △ OBSOLETE PARTS: OBSOLETE CIS STREAMLINING PER D.RENAUD/D.SINISI




RECOMMENDED PANEL CUTOUT

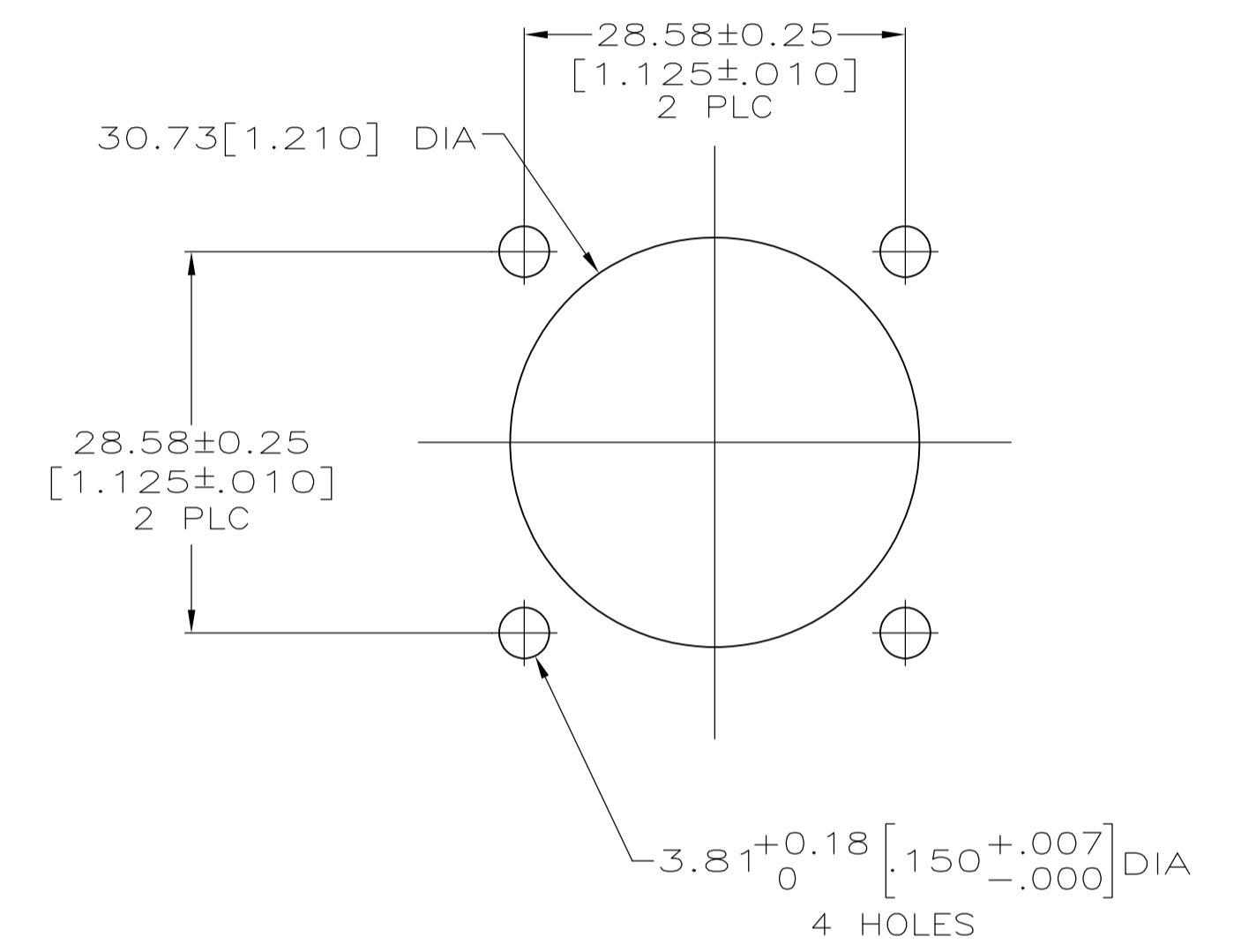
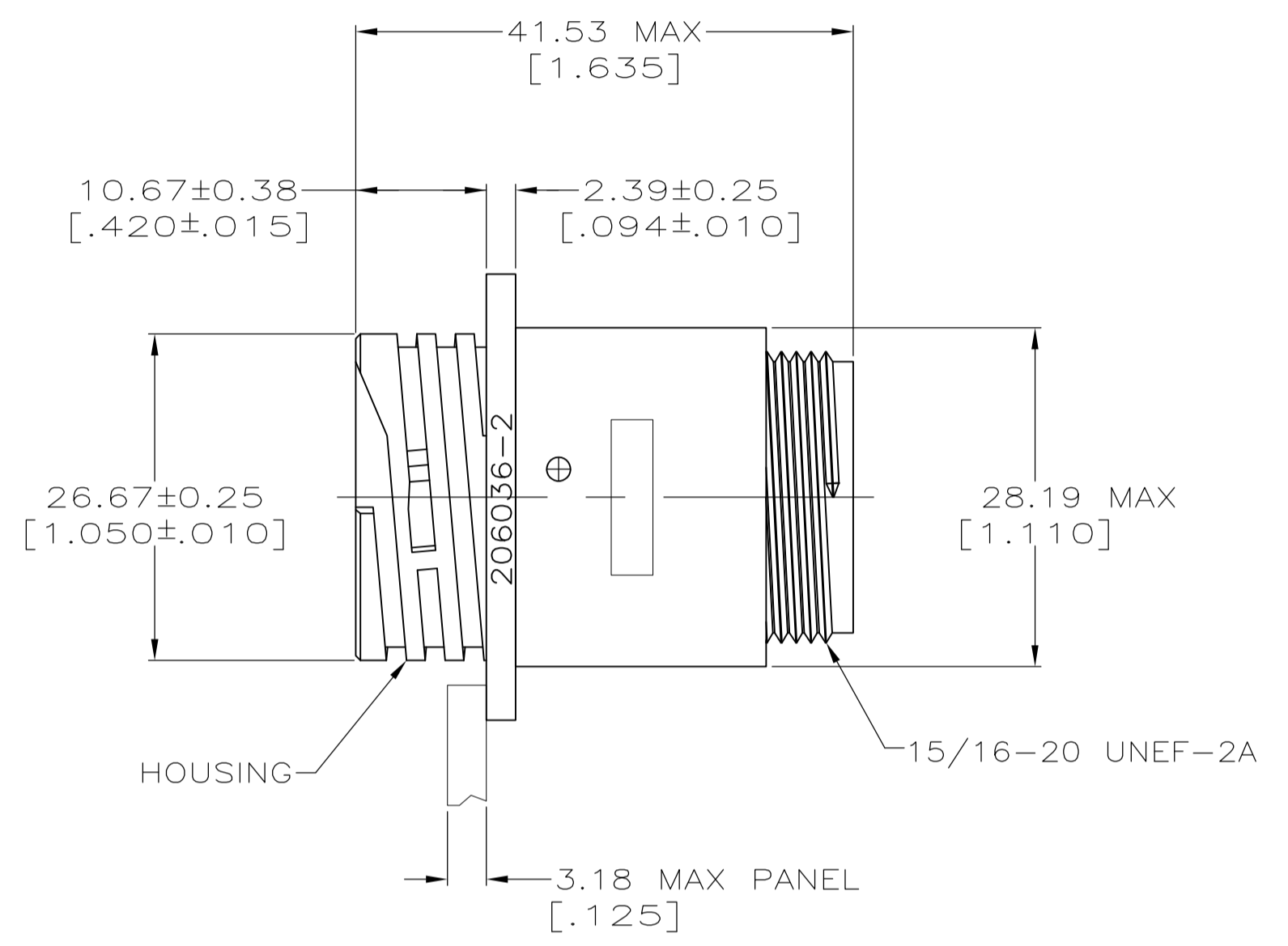
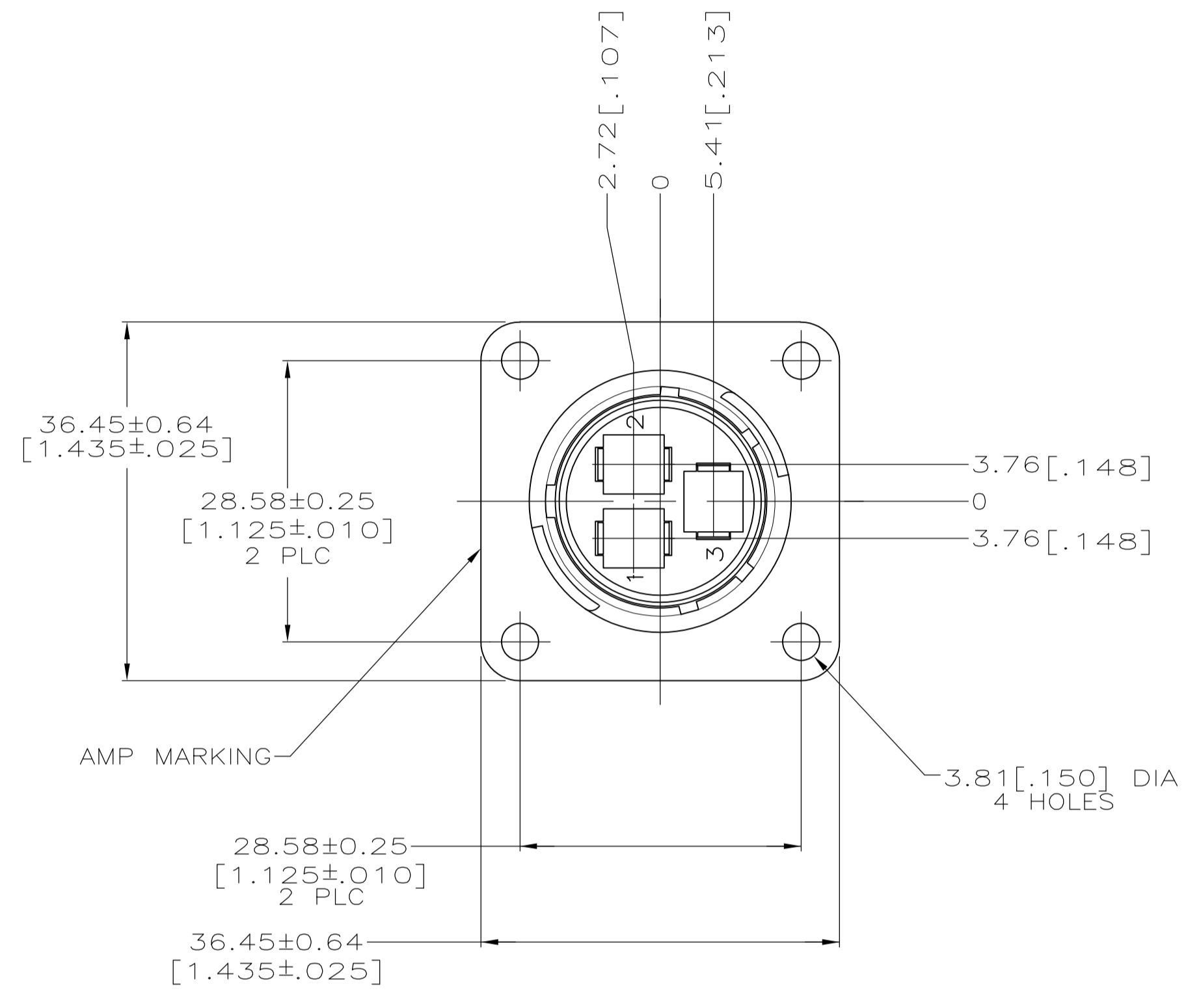
△ OBSOLETE	△ 4	STANDARD	NO	YES	206036-9
	△ 4	STANDARD	YES	NO	206036-8
	△ 4	SMALL PACK	NO	NO	206036-7
	△ 4	STANDARD	NO	YES	206036-4
	△ 4	STANDARD	NO	NO	206036-1
MATERIAL	PACKAGING	4-40 THREADED INSERTS	PERIPHERAL SEAL	PART NUMBER	

THIS DRAWING IS A CONTROLLED DOCUMENT.

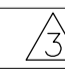
DIMENSIONS: mm [INCHES]	TOLERANCES UNLESS OTHERWISE SPECIFIED:	DIN D. GELTZ 07/27/93	APVO R. STONE 7-22-93	STE TE Connectivity	
0 PLC ± -	1 PLC ± -	APVO A. FRANTUM 8-12-93	NAME	RECEPTACLE HOUSING, STD SEX, SHELL SIZE 17, CPC	
2 PLC ± 0.13 [.005]	3 PLC ± -	APPLICATION SPEC	SIZE	CAGE CODE	DRAWING NO
4 PLC ± -	ANGLES ± -	WEIGHT	A1	00779	206036
MATERIAL	FINISH	CUSTOMER DRAWING	SCALE	SHEET	REV
			2:1	1 OF 3	R2

LOC	DIST	REVISIONS					
FT	0	P	LTR	DESCRIPTION	DATE	DN	APVO
-	-	-	-	SEE SHEET 1	-	-	-

- NOTES:
1. CAVITY IDENTIFICATION ON FRONT AND REAR FACE.
 2. WILL ACCEPT (3) TYPE XII PIN CONTACTS.
-  HOUSING: NYLON, BLACK.
PERIPHERAL SEAL: ELASTOMER, GRAY.

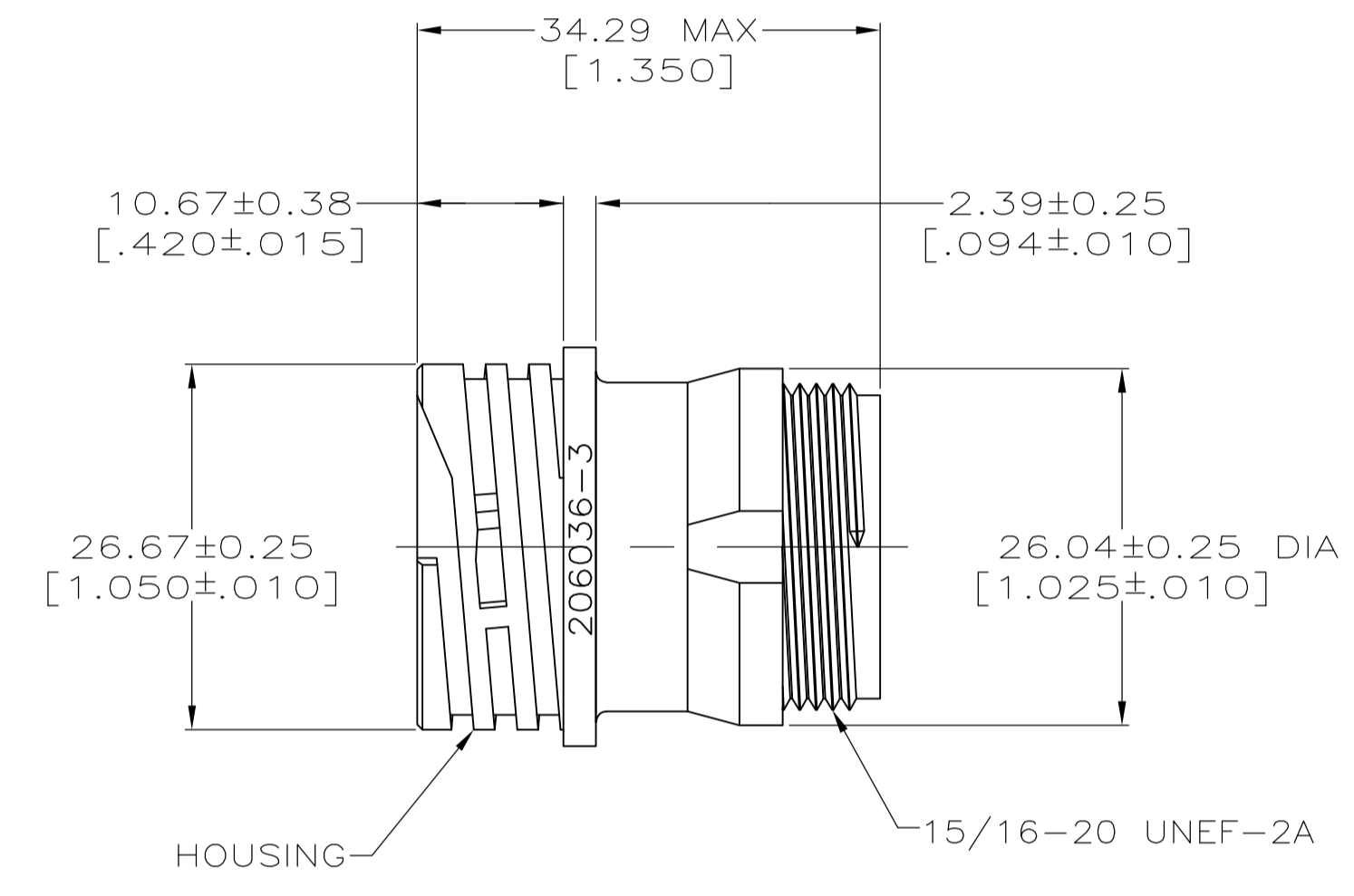
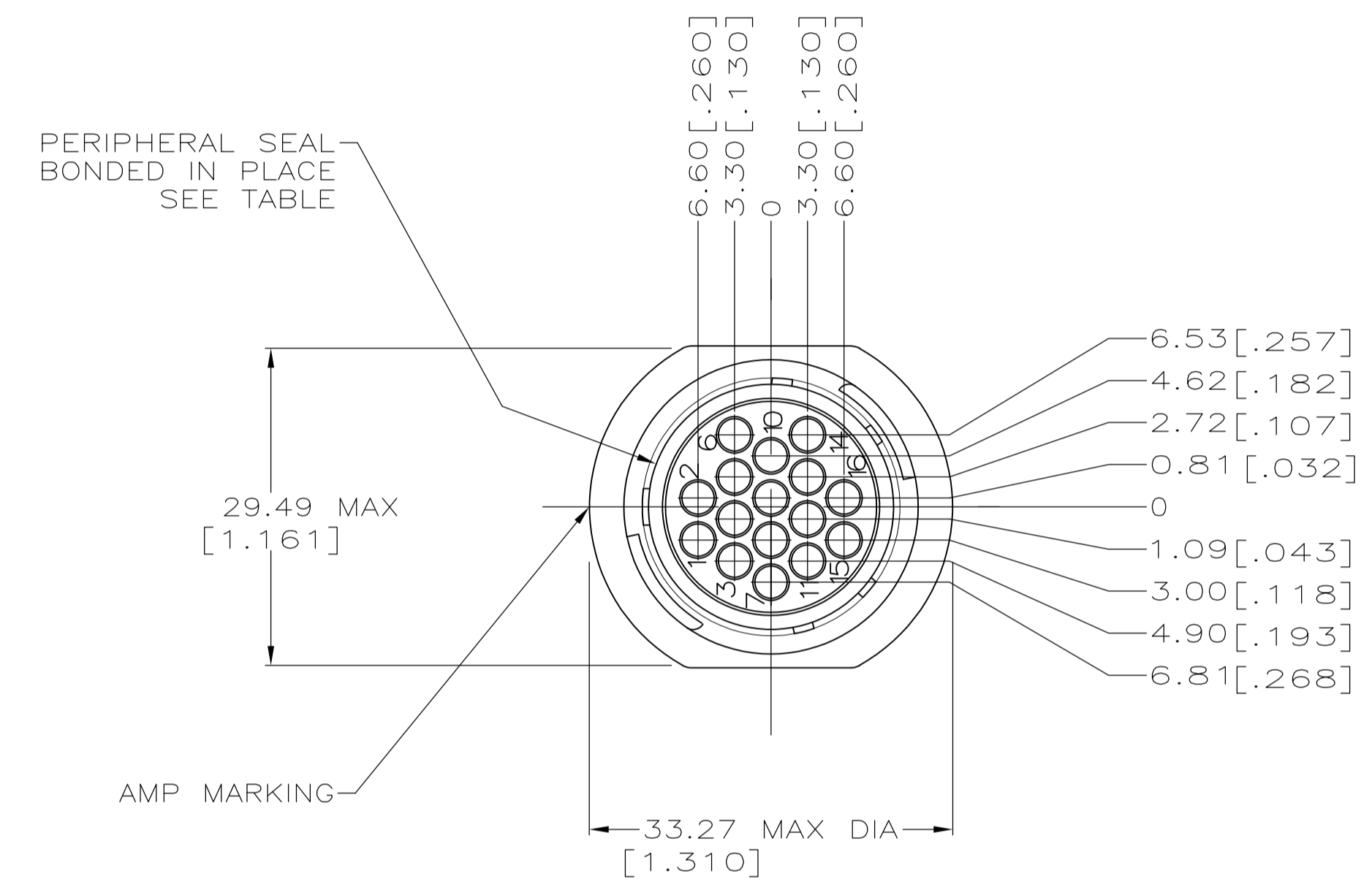


RECOMMENDED PANEL CUTOUT

	206036-2
MATERIAL	PART NUMBER

THIS DRAWING IS A CONTROLLED DOCUMENT.		DIN D. GELTZ 7-22-93	07/27/93	STE TE Connectivity	
DIMENSIONS: mm [INCHES]		CJK R. STONE 8-12-93	7-22-93	NAME RECEPTACLE HOUSING, STD SEX, SHELL SIZE 17, CPC	
TOLERANCES UNLESS OTHERWISE SPECIFIED:		APVO A. FRANTUM	8-12-93	PRODUCT SPEC 108-10024	
0 PLC ± -		APPLICATION SPEC		SIZE A1	
1 PLC ± -		WEIGHT		CAGE CODE 00779	
2 PLC ± 0.13 [.005]		RESTRICTED TO		DRAWING NO 206036	
3 PLC ± -		CUSTOMER DRAWING		SCALE 2:1	
4 PLC ± -		SHEET		OF 3	
ANGLES ± -		REV		R2	

- NOTES:**
1. CAVITY IDENTIFICATION ON FRONT AND REAR FACE.
 2. WILL ACCEPT (16) MULTIMATE PIN CONTACTS.
 3. HOUSING: NYLON, BLACK.
PERIPHERAL SEAL: ELASTOMER, GRAY.
 4. HOUSING: POLYESTER, PBT, BLACK.
PERIPHERAL SEAL: ELASTOMER, GRAY.



OBSOLETE	4	NO	1-206036-3
	3	YES	206036-5
	3	NO	206036-3
		MATERIAL	PERIPHERAL SEAL
			PART NUMBER

THIS DRAWING IS A CONTROLLED DOCUMENT.

DIMENSIONS: mm [INCHES]	TOLERANCES UNLESS OTHERWISE SPECIFIED:	DIN D. GELTZ 07-27-93	APVD R. STONE 7-22-93	NAME
0 PLC ± -	1 PLC ± -	2 PLC ± 0.13 [.005]	3 PLC ± -	4 PLC ± -
ANGLES ± -				
MATERIAL -	FINISH -	WEIGHT -	SIZE A1	CAGE CODE 00779
			DRAWING NO. 206036	RESTRICTED TO -
			CUSTOMER DRAWING	SCALE 2:1 SHEET 3 OF 3 REV R2

STE TE Connectivity

RECEPTACLE HOUSING, STD SEX, SHELL SIZE 17, CPC

108-10024