

D

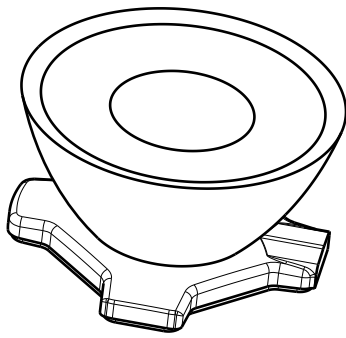
C

B

A

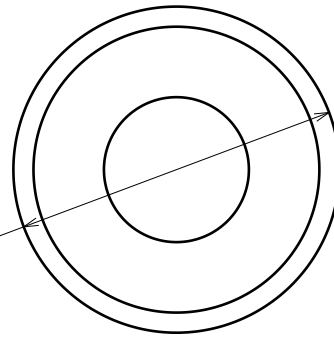
4

4



Isometric view

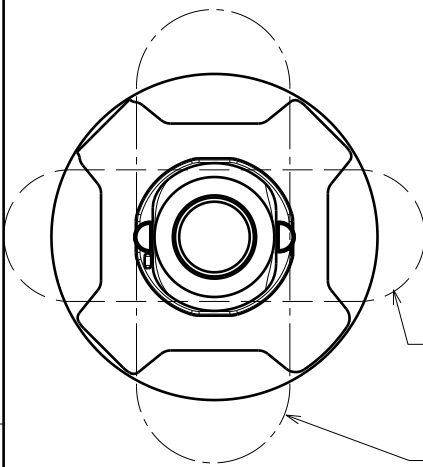
$\phi 21.6$



Top view

3

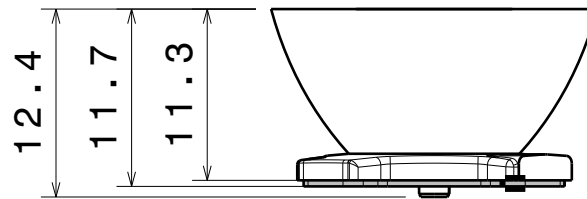
3



Bottom view
OVAL BEAM direction

Heidi-0

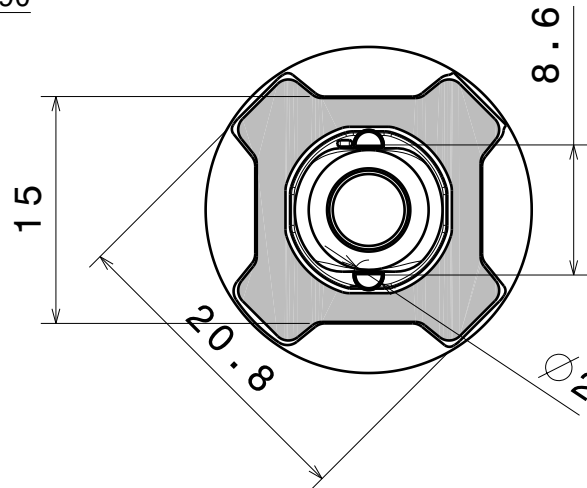
Heidi-0-90



Front view

2

2



8.6 Between pin midpoints

Bottom view

Note:
Oval models height 11.9
Material:
Lens PMMA
Tape PU Foam

This drawing is our property.
It can't be reproduced
or communicated without
our written agreement.



Ledil Oy
Joensuunkatu 13
FIN-24100 SALO
Finland

DRAWING TITLE

Datasheet Heidi-Series Assy

DRAWN BY
ah

DATE
1.2.2012

CHECKED BY

DATE

SIZE
A4

DRAWING NUMBER

REV
2

DESIGNED BY

DATE

SCALE 2:1 WEIGHT (g)

SHEET 1/1

D

A

1

1