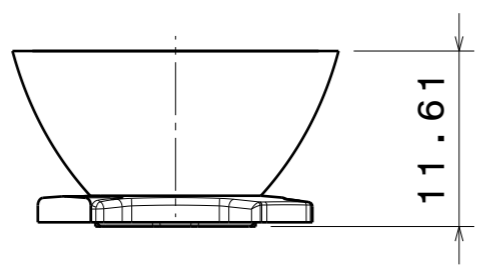


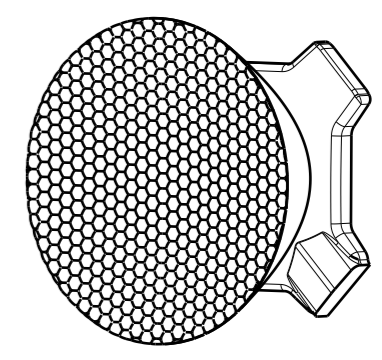
H G F E D C B A

4

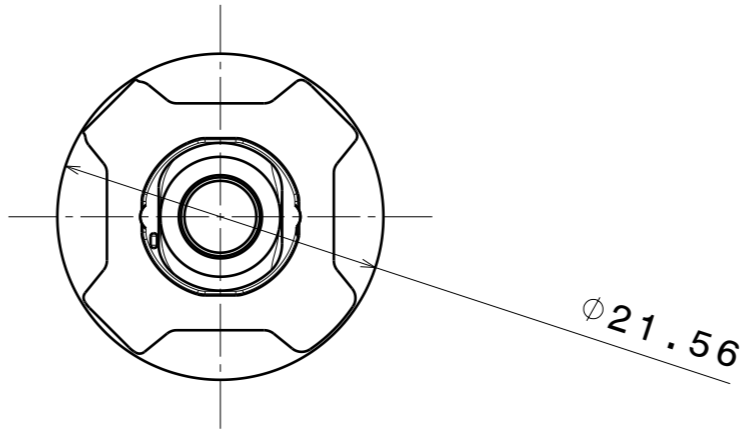
4



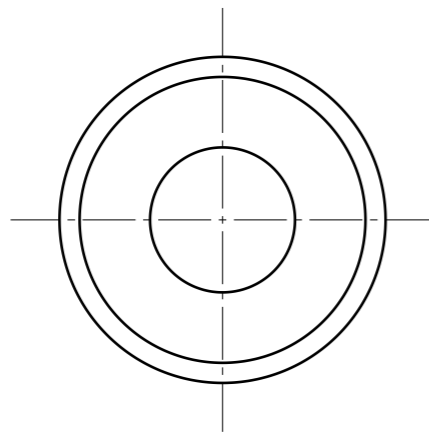
Front view



Isometric view



Bottom view



Top view

3

3

2

2

1

1

H G F E D C B A

<p>Tolerances if not otherwise shown According to DIN ISO 2768-1 Linear measures: Up to 30mm class M, otherwise class C. According to DIN ISO 2768-2 Form and position: class L</p>		<p>LEDiL Ledil Oy Salorankatu 10 FIN 24240 SALO Finland</p>		
<p>THIRD ANGLE PROJECTION: </p>		<p>DRAWING TITLE Datasheet_HEIDI-M-NP</p>		
<p>This drawing is the property of LEDiL Oy. It may not be reproduced, copied or communicated without a written agreement with LEDiL Oy."</p>		<p>SIZE A3</p>	<p>PART NUMBER C13738</p>	
		<p>SCALE 2:1</p>	<p>WEIGHT (g)</p>	<p>SHEET 1/1</p>