

D

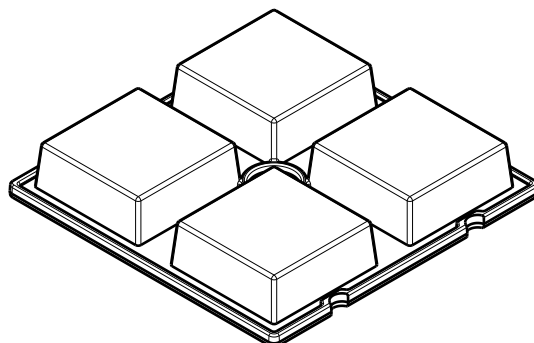
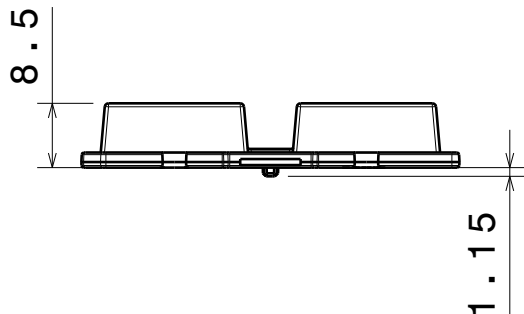
C

B

A

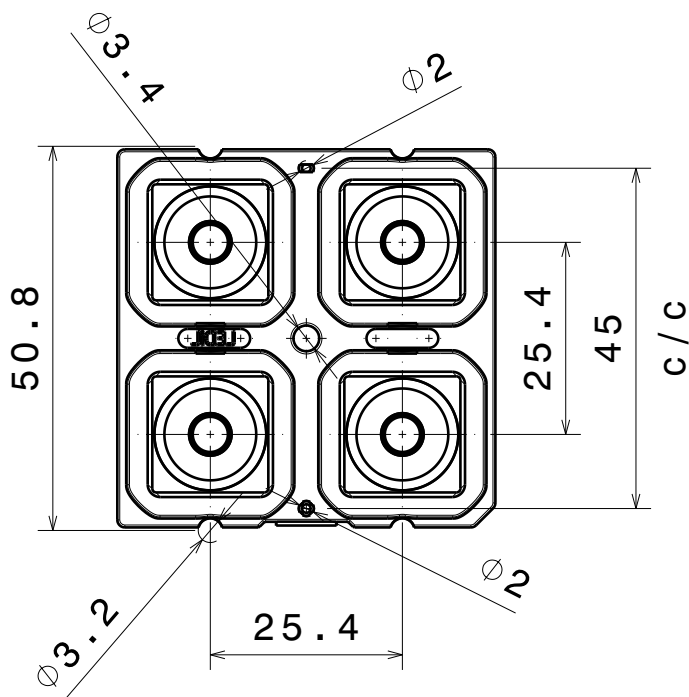
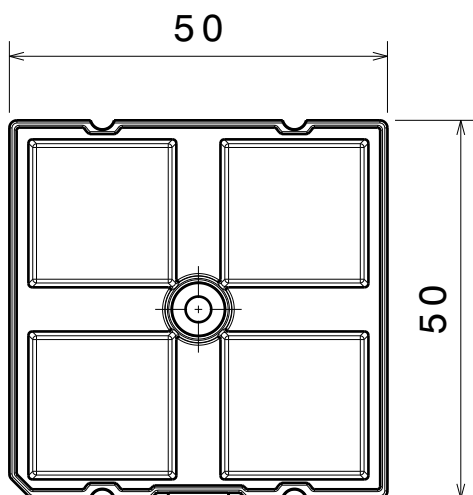
4

4



3

3



2

2

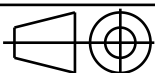
INDEX	PART NO	DESCRIPTION	MATERIAL	COLOUR
1	C13605	HB-2x2-RW	PMMA	

Tolerances if not otherwise shown
According to DIN ISO 2768-1
Linear measures:
up to 30mm class M, otherwise class C
According to DIN ISO 2768-2
Form and position: class L

LEDiL

Ledil Oy
Salorankatu 10
FIN 24240 SALO
Finland

THIRD ANGLE PROJECTION:



DRAWING TITLE

C13605_HB-2x2-RW

This drawing is the property
of LEDiL Oy. It may not be
reproduced, copied or
communicated without a written
agreement with LEDiL Oy.

SIZE PART NUMBER

A4

C13605

SCALE	1:1	WEIGHT	10,6 g	SHEET	1/1
-------	-----	--------	--------	-------	-----

1

1

D

A