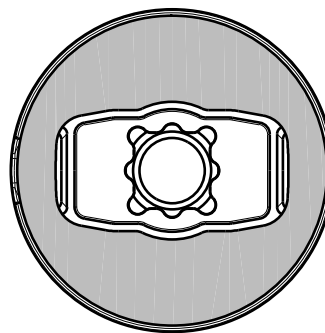
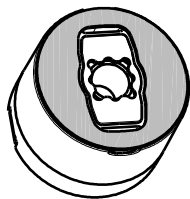
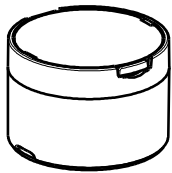


D

C

B

A



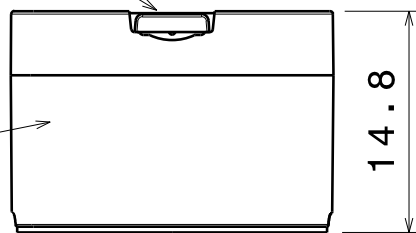
Isometric view

Bottom view

F10626_LE1-D

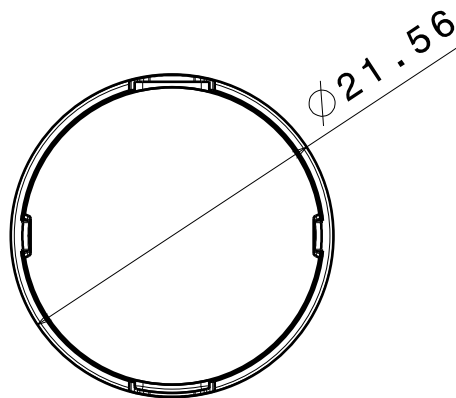
F11935_Leila Holder_LXM

F12078_Leila-tape, 0,4mm



14.8

Front view



21.56

Top view

Material:

- Lens PMMA
- Holder PC, BLACK
- Tape Pu FOAM

Tolerances if not otherwise shown:
According to DIN ISO 2768-1
Linear measures:
Up to 30mm class F, otherwise class M.

According to DIN ISO 2768-2
Form and position:
class K

Control for SPC marked dimensions.

This drawing is our property.
It can't be reproduced
or communicated without
our written agreement.



Ledil Oy
Salorankatu 10
FIN 24240 SALO
Finland

DRAWING TITLE

Drawing LXM_D Assembly

DRAWN BY

mav

DATE

04.11.2011

CHECKED BY

pv

DATE

04.11.2011

SIZE

A4

DRAWING NUMBER

FA11938

REV

1

DESIGNED BY

hh/mav

DATE

30.12.2010

SCALE

1:1

WEIGHT (g)

SHEET

1/1

D

A