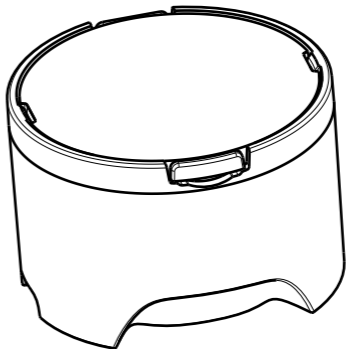
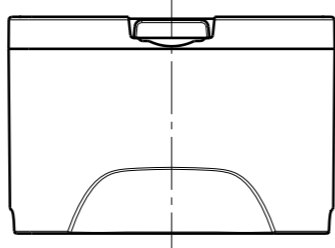
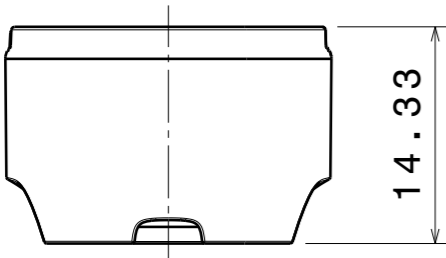
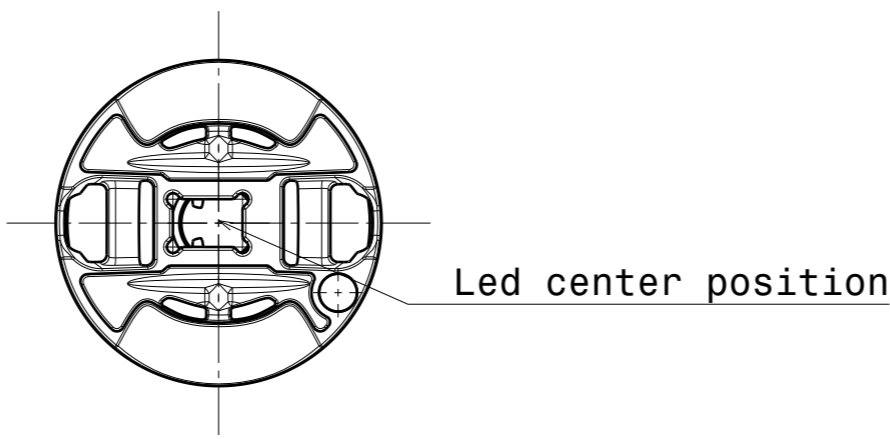


H G F E D C B A

4

4

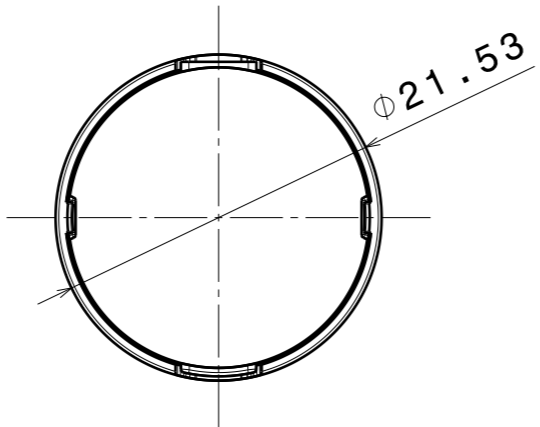


3

3

2

2



INDEX	PART NO	DESCRIPTION	MATERIAL	COLOUR
1	C10445	LR-LH1	PC	white
2	F10628	LR1-D	PMMA	

Tolerances if not otherwise shown  
 According to DIN ISO 2768-1  
 Linear measures:  
 up to 30mm class M, otherwise class C  
 According to DIN ISO 2768-2  
 Form and position: class L

**LEDiL** LediL Oy  
 Salorankatu 10  
 FIN 24240 SALO  
 Finland

THIRD ANGLE PROJECTION:

DRAWING TITLE  
**FCN10806\_LR1-D Mechanical model**

This drawing is the property  
 of LEDiL Oy. It may not be  
 reproduced, copied or  
 communicated without a written  
 agreement with LEDiL Oy.

SIZE	PART NUMBER
<b>A3</b>	<b>FCN10806</b>

SCALE	2:1	WEIGHT	4,48 g	SHEET	1/1
-------	-----	--------	--------	-------	-----

H G B A

1

1