

D

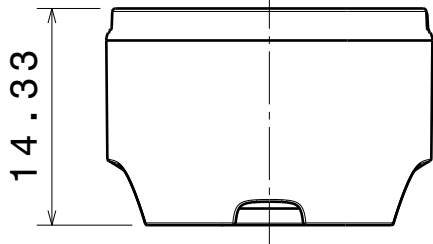
C

B

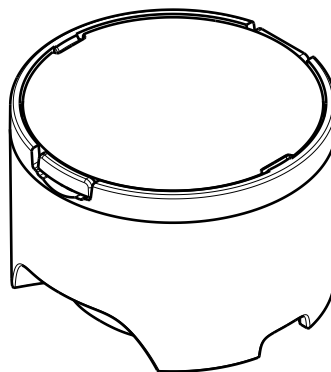
A

4

4



Front view



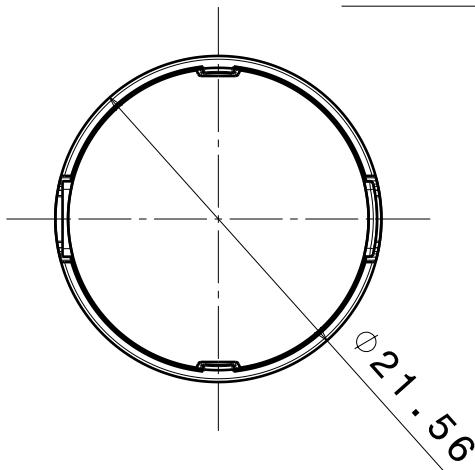
Isometric view
Scale: 2:1

3

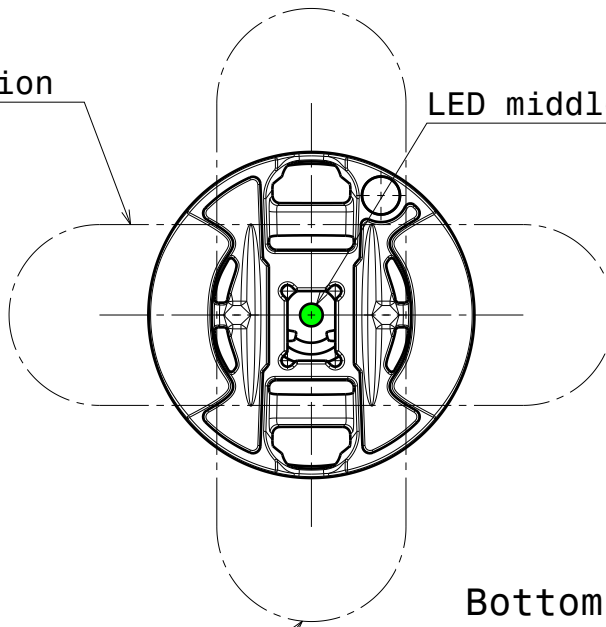
3

0-beam direction

LED middle point



Top view



Bottom view

2

2

0-90 beam direction

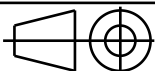
INDEX	PART NO	DESCRIPTION	MATERIAL	COLOUR
1	C10445	LR-LH1	PC	white
2	-	LR1-lens	PMMA	

Tolerances if not otherwise shown
According to DIN ISO 2768-1
Linear measures:
Up to 30mm class M, otherwise class C.
According to DIN ISO 2768-2
Form and position: class L

LEDiL

Ledil Oy
Salorankatu 10
FIN 24240 SALO
Finland

THIRD ANGLE PROJECTION:



DRAWING TITLE

LR1-series

This drawing is the property of LEDiL Oy. It may not be reproduced, copied or communicated without a written agreement with LEDiL Oy.

SIZE PART NUMBER

A4

-

SCALE 2:1 WEIGHT 4 g SHEET 1/1

D

A

1

1