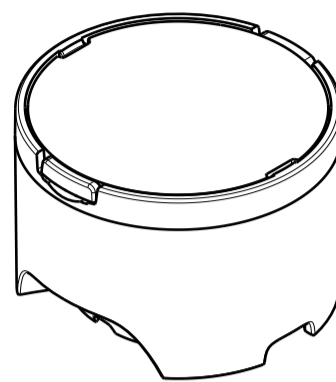
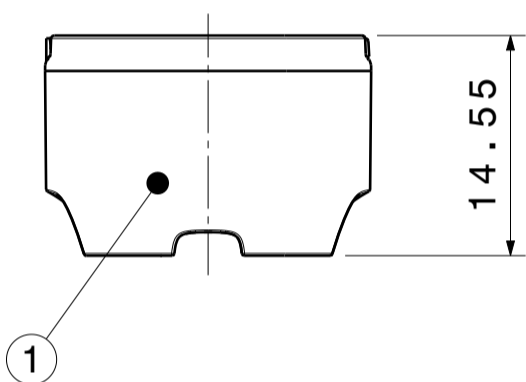


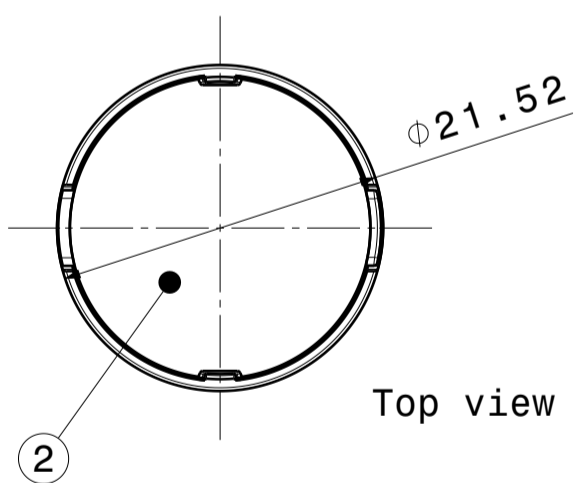
Bottom view



Isometric view



Front view



Top view

INDEX	PART	MATERIAL	COLOR / COATING
1	C10443_L0-LH1	PC	WHITE
2	F10631_L02-D	PMMA	CLEAR

MECHANICAL DRAWING

PRODUCT
LEILA-20

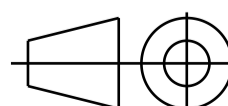
LEDiL®

Notes

Ensure LED fitting from a product specific 3D model available from www.ledil.com
For more details about installation please see LEDiL Installation Guide on www.ledil.com

Plastic moulding general tolerances according to DIN 16901-130 and applies if not otherwise shown in the drawing. Silicone moulding general tolerances according to ISO 3302-1 Class M3 and applies if not otherwise shown in the drawing.

FIRST ANGLE PROJECTION:



This drawing is the property of LEDiL Oy. It may not be copied or otherwise distributed without prior written permission from LEDiL Oy.

SCALE 1:1

WEIGHT -

A3 SHEET 1/1