

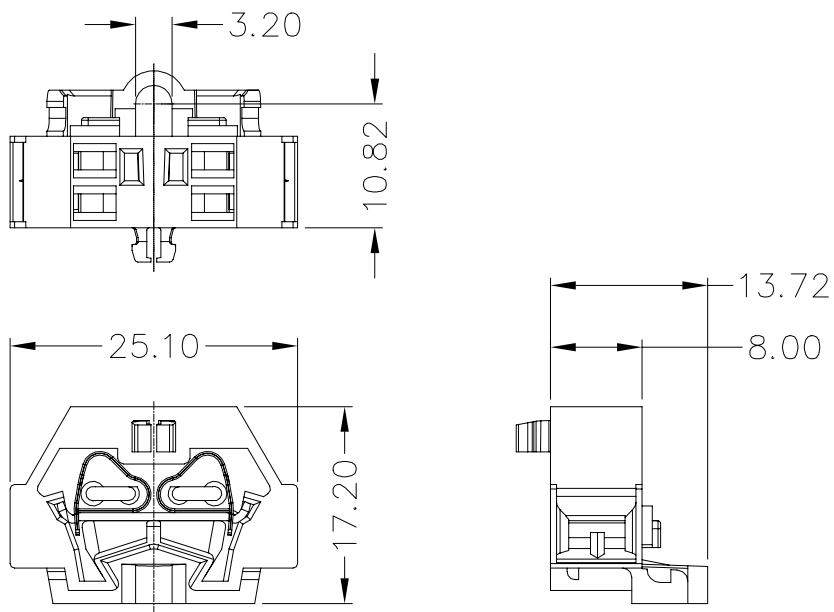


# 宁波速普电子有限公司

NINGBO SUPU ELECTRONICS.CO.,LTD

## 产品规格书

### Product Specification



IEC 额定数据/IEC Rated data	
接线范围/Wire range	0.2-1.5mm <sup>2</sup>
单股导线/Solid	0.2-1.5mm <sup>2</sup>
软导线/Stranded	0.2-1.5mm <sup>2</sup>
带端头软导线/Stranded with ferrules without plastic sleeve	0.2-1.0mm <sup>2</sup>
带预绝缘端头软导线/Stranded with ferrules with plastic sleeve	0.2-1.0mm <sup>2</sup>
剥线长度/Strip length	8-9mm
额定电压/Rated voltage	400V
额定电流/Rated current	18A
额定脉冲耐受电压/Rated surge voltage	6KV
污染等级/Pollution degree	3
过电压类别/Surge voltage category	III
其他信息/Other information	
塑件/Housing	PA66
触点材料/Contact	铜合金/Copper alloy
镀层/Coating	锡/Tin Plated
阻燃等级/Flame retardant rating	UL94-V0
使用环境温度/Usage ambient temperture	-25℃ - +70℃
储存及运输环境温度/Strrage ambient temperature	-40℃ - +85℃
<b>认证/Approval</b>	

### 订货信息 Order Info

订货号 PART NUMBER	颜色 COLOR
240331	灰色 Gray
240332	橙色 Orange
240333	白灰色 Light Gray
240334	蓝色 Blue
240335	黄色 Yellow
240336	绿色 Green
240339	粉红色 Pink
240337	黄绿色 Green-yellow

### 未注尺寸公差:

Pitch Range In mm		Nominal Dimension Range In mm						- / /	
TO	Over	Over	TO	Over	Over	Over	TO	Over	0.05/10
6	10	10	24	30	60	100	150		<
±0.075	±0.15	±0.20	±0.20	±0.35	±0.50	±0.75	±1.00		±1*

	Rev. 01	Name 24033X系列带固定器侧面接线端子 24033X series through terminal blocks with fixing flanges of side-entry
单位/Unit mm		