

## SN74LVC2G04 Dual Inverter Gate

### 1 Features

- Available in the Texas Instruments NanoFree™ Package
- Supports 5-V  $V_{CC}$  Operation
- Inputs Accept Voltages to 5.5 V
- Max  $t_{pd}$  of 4.1 ns at 3.3 V
- Low Power Consumption, 10- $\mu$ A Max  $I_{CC}$
- $\pm 24$ -mA Output Drive at 3.3 V
- Typical  $V_{OLP}$  (Output Ground Bounce)  $< 0.8$  V at  $V_{CC} = 3.3$  V,  $T_A = 25^\circ\text{C}$
- Typical  $V_{OHV}$  (Output  $V_{OH}$  Undershoot)  $> 2$  V at  $V_{CC} = 3.3$  V,  $T_A = 25^\circ\text{C}$
- $I_{off}$  Supports Partial-Power-Down Mode Operation
- Latch-Up Performance Exceeds 100 mA Per JESD 78, Class II
- ESD Protection Exceeds JESD 22
  - 2000-V Human-Body Model (A114-A)
  - 200-V Machine Model (A115-A)
  - 1000-V Charged-Device Model (C101)

### 2 Applications

- IP Phones: Wired and Wireless
- Optical Modules
- Optical Networking: EPON and Video Over Fiber
- Point-to-Point Microwave Backhaul
- Power: Telecom DC/DC Module: Analog and Digital
- Private Branch Exchanges (PBX)
- TETRA Base Exchanges
- Telecom Base Band Units
- Telecom Shelters: Power Distribution Units (PDU), Power Monitoring Units (PMU), Wireless Battery Monitoring, Remote Electrical Tilt Units (RET), Remote Radio Units (RRU), Tower Mounted

Amplifiers (TMA)

- Vector Signal Analyzers and Generators
- Video Converencing: IP-Based HD
- WiMAX and Wireless Infrastructure Equipment
- Wireless Communications Testers and Wireless Repeaters
- xDSL Modems and DSLAM

### 3 Description

This dual inverter is designed for 1.65-V to 5.5-V  $V_{CC}$  operation. The SN74LVC2G04 device performs the Boolean function  $Y = \bar{A}$ .

NanoFree package technology is a major breakthrough in IC packaging concepts, using the die as the package.

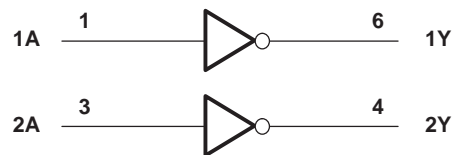
This device is fully specified for partial-power-down applications using  $I_{off}$ . The  $I_{off}$  circuitry disables the outputs, preventing damaging current backflow through the device when it is powered down.

#### Device Information<sup>(1)</sup>

| PART NUMBER    | PACKAGE    | BODY SIZE (NOM)   |
|----------------|------------|-------------------|
| SN74LVC2G04DBV | SOT-23 (6) | 2.90 mm x 1.60 mm |
| SN74LVC2G04DCK | SC70 (6)   | 2.00 mm x 1.25 mm |
| SN74LVC2G04DRL | SOT (6)    | 1.60 mm x 1.20 mm |
| SN74LVC2G04YZP | DSBGA (6)  | 1.41 mm x 0.91 mm |

(1) For all available packages, see the orderable addendum at the end of the datasheet.

#### Logic Diagram (Positive Logic)



## Table of Contents

|  |          |  |           |
|--|----------|--|-----------|
| <b>1 Features</b> .....                          | <b>1</b> | 8.2 Functional Block Diagram .....                               | <b>8</b>  |
| <b>2 Applications</b> .....                      | <b>1</b> | 8.3 Feature Description .....                                    | <b>8</b>  |
| <b>3 Description</b> .....                       | <b>1</b> | 8.4 Device Functional Modes .....                                | <b>8</b>  |
| <b>4 Revision History</b> .....                  | <b>2</b> | <b>9 Application and Implementation</b> .....                    | <b>9</b>  |
| <b>5 Pin Configuration and Functions</b> .....   | <b>3</b> | 9.1 Application Information .....                                | <b>9</b>  |
| <b>6 Specifications</b> .....                    | <b>4</b> | 9.2 Typical Application .....                                    | <b>9</b>  |
| 6.1 Absolute Maximum Ratings .....               | <b>4</b> | <b>10 Power Supply Recommendations</b> .....                     | <b>10</b> |
| 6.2 ESD Ratings .....                            | <b>4</b> | <b>11 Layout</b> .....   | <b>11</b> |
| 6.3 Recommended Operating Conditions .....       | <b>4</b> | 11.1 Layout Guidelines .....                                     | <b>11</b> |
| 6.4 Thermal Information .....                    | <b>5</b> | 11.2 Layout Example .....  | <b>11</b> |
| 6.5 Electrical Characteristics .....             | <b>5</b> | <b>12 Device and Documentation Support</b> .....                 | <b>12</b> |
| 6.6 Switching Characteristics .....              | <b>6</b> | 12.1 Documentation Support .....                                 | <b>12</b> |
| 6.7 Operating Characteristics .....              | <b>6</b> | 12.2 Community Resources .....                                   | <b>12</b> |
| 6.8 Typical Characteristics .....                | <b>6</b> | 12.3 Trademarks .....  | <b>12</b> |
| <b>7 Parameter Measurement Information</b> ..... | <b>7</b> | 12.4 Electrostatic Discharge Caution .....                       | <b>12</b> |
| <b>8 Detailed Description</b> .....              | <b>8</b> | 12.5 Glossary .....  | <b>12</b> |
| 8.1 Overview .....                               | <b>8</b> | <b>13 Mechanical, Packaging, and Orderable Information</b> ..... | <b>12</b> |

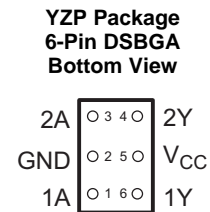
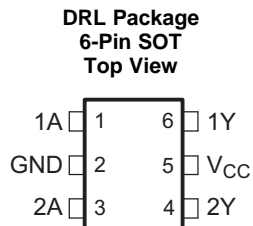
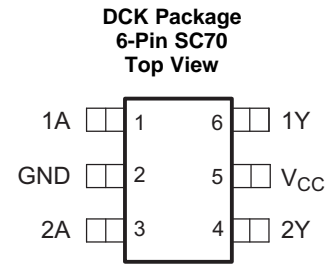
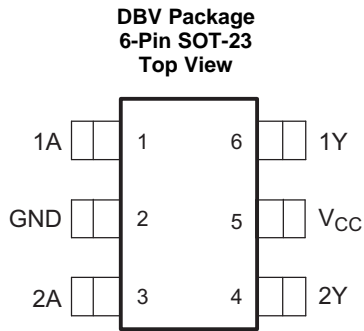
## 4 Revision History

NOTE: Page numbers for previous revisions may differ from page numbers in the current version.

| <b>Changes from Revision M (November 2013) to Revision N</b>  | <b>Page</b> |
|---|-------------|
| <ul style="list-style-type: none"> <li>Removed the <i>Ordering Information table</i>, added the <i>Device Information table</i>, ESD Ratings table, <i>Feature Description section</i>, <i>Device Functional Modes</i>, <i>Application and Implementation section</i>, <i>Power Supply Recommendations section</i>, <i>Layout section</i>, <i>Device and Documentation Support section</i>, and <i>Mechanical, Packaging, and Orderable Information section</i>.</li> </ul> | <b>1</b>    |

| <b>Changes from Revision L (January 2007) to Revision M</b>                                     | <b>Page</b> |
|---|-------------|
| <ul style="list-style-type: none"> <li>Updated document to new TI data sheet format.</li> </ul> | <b>1</b>    |
| <ul style="list-style-type: none"> <li>Added ESD warning</li> </ul>                             | <b>4</b>    |
| <ul style="list-style-type: none"> <li>Updated operating temperature range.</li> </ul>          | <b>4</b>    |

## 5 Pin Configuration and Functions



### Pin Functions<sup>(1)</sup>

| PIN             |     | I/O | DESCRIPTION       |
|-----------------|-----|-----|-------------------|
| NAME            | NO. |     |                   |
| 1A              | 1   | I   | Inverter 1 input  |
| 1Y              | 6   | O   | Inverter 1 output |
| 2A              | 3   | I   | Inverter 2 input  |
| 2Y              | 4   | O   | Inverter 2 output |
| GND             | 2   | —   | Ground            |
| V <sub>CC</sub> | 5   | —   | Power             |

(1) See [Mechanical, Packaging, and Orderable Information](#) for dimensions.

## 6 Specifications

### 6.1 Absolute Maximum Ratings

 over operating free-air temperature range (unless otherwise noted)<sup>(1)</sup>

|                  |   | MIN                | MAX                   | UNIT |
|------------------|---|--------------------|-----------------------|------|
| V <sub>CC</sub>  | Supply voltage  | -0.5               | 6.5                   | V    |
| V <sub>I</sub>   | Input voltage <sup>(2)</sup>  | -0.5               | 6.5                   | V    |
| V <sub>O</sub>   | Voltage applied to any output in the high-impedance or power-off state <sup>(2)</sup> | -0.5               | 6.5                   | V    |
| V <sub>O</sub>   | Voltage applied to any output in the high or low state <sup>(2)(3)</sup>              | -0.5               | V <sub>CC</sub> + 0.5 | V    |
| I <sub>IK</sub>  | Input clamp current   | V <sub>I</sub> < 0 | -50                   | mA   |
| I <sub>OK</sub>  | Output clamp current  | V <sub>O</sub> < 0 | -50                   | mA   |
| I <sub>O</sub>   | Continuous output current   |                    | ±50                   | mA   |
|                  | Continuous current through V <sub>CC</sub> or GND                                     |                    | ±100                  | mA   |
| T <sub>stg</sub> | Storage temperature   | -65                | 150                   | °C   |

- (1) Stresses beyond those listed under *Absolute Maximum Ratings* may cause permanent damage to the device. These are stress ratings only, and functional operation of the device at these or any other conditions beyond those indicated under *Recommended Operating Conditions* is not implied. Exposure to absolute-maximum-rated conditions for extended periods may affect device reliability.
- (2) The input negative-voltage and output voltage ratings may be exceeded if the input and output current ratings are observed.
- (3) The value of V<sub>CC</sub> is provided in the recommended operating conditions table.

### 6.2 ESD Ratings

|                    |                         | VALUE  | UNIT  |
|--------------------|-------------------------|--|-------|
| V <sub>(ESD)</sub> | Electrostatic discharge | Human body model (HBM), per ANSI/ESDA/JEDEC JS-001 <sup>(1)</sup>              | +2000 |
|                    |                         | Charged-device model (CDM), per JEDEC specification JESD22-C101 <sup>(2)</sup> | +1000 |

- (1) JEDEC document JEP155 states that 500-V HBM allows safe manufacturing with a standard ESD control process.
- (2) JEDEC document JEP157 states that 250-V CDM allows safe manufacturing with a standard ESD control process.

### 6.3 Recommended Operating Conditions

 See <sup>(1)</sup>.

|                 |                           | MIN                                | MAX                    | UNIT |
|-----------------|---------------------------|------------------------------------|------------------------|------|
| V <sub>CC</sub> | Supply voltage            | Operating                          | 1.65                   | 5.5  |
|                 |                           | Data retention only                | 1.5                    |      |
| V <sub>IH</sub> | High-level input voltage  | V <sub>CC</sub> = 1.65 V to 1.95 V | 0.65 × V <sub>CC</sub> | V    |
|                 |                           | V <sub>CC</sub> = 2.3 V to 2.7 V   | 1.7                    |      |
|                 |                           | V <sub>CC</sub> = 3 V to 3.6 V     | 2                      |      |
|                 |                           | V <sub>CC</sub> = 4.5 V to 5.5 V   | 0.7 × V <sub>CC</sub>  |      |
| V <sub>IL</sub> | Low-level input voltage   | V <sub>CC</sub> = 1.65 V to 1.95 V | 0.35 × V <sub>CC</sub> | V    |
|                 |                           | V <sub>CC</sub> = 2.3 V to 2.7 V   | 0.7                    |      |
|                 |                           | V <sub>CC</sub> = 3 V to 3.6 V     | 0.8                    |      |
|                 |                           | V <sub>CC</sub> = 4.5 V to 5.5 V   | 0.3 × V <sub>CC</sub>  |      |
| V <sub>I</sub>  | Input voltage             | 0                                  | 5.5                    | V    |
| V <sub>O</sub>  | Output voltage            | 0                                  | V <sub>CC</sub>        | V    |
| I <sub>OH</sub> | High-level output current | V <sub>CC</sub> = 1.65 V           | -4                     | mA   |
|                 |                           | V <sub>CC</sub> = 2.3 V            | -8                     |      |
|                 |                           | V <sub>CC</sub> = 3 V              | -16                    |      |
|                 |                           | V <sub>CC</sub> = 4.5 V            | -24                    |      |

- (1) All unused inputs of the device must be held at V<sub>CC</sub> or GND to ensure proper device operation. Refer to the TI application report, *Implications of Slow or Floating CMOS Inputs*, literature number [SCBA004](#).

## Recommended Operating Conditions (continued)

See <sup>(1)</sup>.

|                 |                                    | MIN   | MAX | UNIT |
|-----------------|------------------------------------|---|-----|------|
| I <sub>OL</sub> | Low-level output current           | V <sub>CC</sub> = 1.65 V                        | 4   | mA   |
|                 |                                    | V <sub>CC</sub> = 2.3 V                         | 8   |      |
|                 |                                    | V <sub>CC</sub> = 3 V                           | 16  |      |
|                 |                                    |   | 24  |      |
|                 |                                    | V <sub>CC</sub> = 4.5 V                         | 32  |      |
| Δt/Δv           | Input transition rise or fall rate | V <sub>CC</sub> = 1.8 V ± 0.15 V, 2.5 V ± 0.2 V | 20  | ns/V |
|                 |                                    | V <sub>CC</sub> = 3.3 V ± 0.3 V                 | 10  |      |
|                 |                                    | V <sub>CC</sub> = 5 V ± 0.5 V                   | 5   |      |
| T <sub>A</sub>  | Operating free-air temperature     | -40   | 125 | °C   |

## 6.4 Thermal Information

| THERMAL METRIC <sup>(1)</sup> | SN74LVC2G04                            |            |           |             | UNIT |      |
|-------------------------------|--|------------|-----------|-------------|------|------|
|                               | DBV (SOT-23)                           | DCK (SC70) | DRL (SOT) | YZP (DSBGA) |      |      |
|                               | 6 PINS                                 | 6 PINS     | 6 PINS    | 6 PINS      |      |      |
| R <sub>θJA</sub>              | Junction-to-ambient thermal resistance | 165        | 259       | 142         | 123  | °C/W |

(1) For more information about traditional and new thermal metrics, see the *Semiconductor and IC Package Thermal Metrics* application report, [SPRA953](#).

## 6.5 Electrical Characteristics

over recommended operating free-air temperature range (unless otherwise noted)

| PARAMETER        | TEST CONDITIONS           | V <sub>CC</sub>   | MIN                   | TYP <sup>(1)</sup> | MAX  | UNIT |
|------------------|---------------------------|---|-----------------------|--------------------|------|------|
| V <sub>OH</sub>  | I <sub>OH</sub> = -100 μA | 1.65 V to 5.5 V   | V <sub>CC</sub> - 0.1 |                    |      | V    |
|                  | I <sub>OH</sub> = -4 mA   | 1.65 V  | 1.2                   |                    |      |      |
|                  | I <sub>OH</sub> = -8 mA   | 2.3 V   | 1.9                   |                    |      |      |
|                  | I <sub>OH</sub> = -16 mA  | 3 V   | 2.4                   |                    |      |      |
|                  |                           |   | 2.3                   |                    |      |      |
|                  | I <sub>OH</sub> = -32 mA  | 4.5 V   | 3.8                   |                    |      |      |
| V <sub>OL</sub>  | I <sub>OL</sub> = 100 μA  | 1.65 V to 5.5 V   |                       |                    | 0.1  | V    |
|                  | I <sub>OL</sub> = 4 mA    | 1.65 V  |                       |                    | 0.45 |      |
|                  | I <sub>OL</sub> = 8 mA    | 2.3 V   |                       |                    | 0.3  |      |
|                  | I <sub>OL</sub> = 16 mA   | 3 V   |                       |                    | 0.4  |      |
|                  |                           |   |                       |                    | 0.55 |      |
|                  | I <sub>OL</sub> = 32 mA   | 4.5 V   |                       |                    | 0.55 |      |
| I <sub>I</sub>   | A inputs                  | V <sub>I</sub> = 5.5 V or GND   | 0 to 5.5 V            |                    | ±5   | μA   |
| I <sub>off</sub> |                           | V <sub>I</sub> or V <sub>O</sub> = 5.5 V  | 0                     |                    | ±10  | μA   |
| I <sub>CC</sub>  |                           | V <sub>I</sub> = 5.5 V or GND, I <sub>O</sub> = 0                               | 1.65 V to 5.5 V       |                    | 10   | μA   |
| ΔI <sub>CC</sub> |                           | One input at V <sub>CC</sub> - 0.6 V,<br>Other inputs at V <sub>CC</sub> or GND | 3 V to 5.5 V          |                    | 500  | μA   |
| C <sub>i</sub>   |                           | V <sub>I</sub> = V <sub>CC</sub> or GND, -40°C to 85°C                          | 3.3 V                 |                    | 3.5  | pF   |

(1) All typical values are at V<sub>CC</sub> = 3.3 V, T<sub>A</sub> = 25°C.

# SN74LVC2G04

SCES195N – APRIL 1999 – REVISED AUGUST 2015

www.ti.com

## 6.6 Switching Characteristics

over recommended operating free-air temperature range (unless otherwise noted) (see Figure 2)

| PARAMETER | FROM (INPUT) | TO (OUTPUT) | TEST CONDITIONS | $V_{CC} = 1.8\text{ V} \pm 0.15\text{ V}$ |     | $V_{CC} = 2.5\text{ V} \pm 0.2\text{ V}$ |     | $V_{CC} = 3.3\text{ V} \pm 0.3\text{ V}$ |     | $V_{CC} = 5\text{ V} \pm 0.5\text{ V}$ |     | UNIT |
|-----------|--------------|-------------|-----------------|---|-----|--|-----|--|-----|--|-----|------|
|           |              |             |                 | MIN                                       | MAX | MIN                                      | MAX | MIN                                      | MAX | MIN                                    | MAX |      |
| $t_{pd}$  | A            | Y           | -40°C to 85°C   | 3.1                                       | 8   | 1.5                                      | 4.4 | 1.2                                      | 4.1 | 1                                      | 3.2 | ns   |
|           |              |             | -40°C to 125°C  | 3.1                                       | 8   | 1.5                                      | 4.9 | 1.2                                      | 4.6 | 1                                      | 3.7 | ns   |

## 6.7 Operating Characteristics

$T_A = 25^\circ\text{C}$

| PARAMETER                              | TEST CONDITIONS     | $V_{CC} = 1.8\text{ V}$ | $V_{CC} = 2.5\text{ V}$ | $V_{CC} = 3.3\text{ V}$ | $V_{CC} = 5\text{ V}$ | UNIT |
|--|---------------------|-------------------------|-------------------------|-------------------------|-----------------------|------|
|  |                     | TYP                     | TYP                     | TYP                     | TYP                   |      |
| $C_{pd}$ Power dissipation capacitance | $f = 10\text{ MHz}$ | 14                      | 14                      | 14                      | 16                    | pF   |

## 6.8 Typical Characteristics

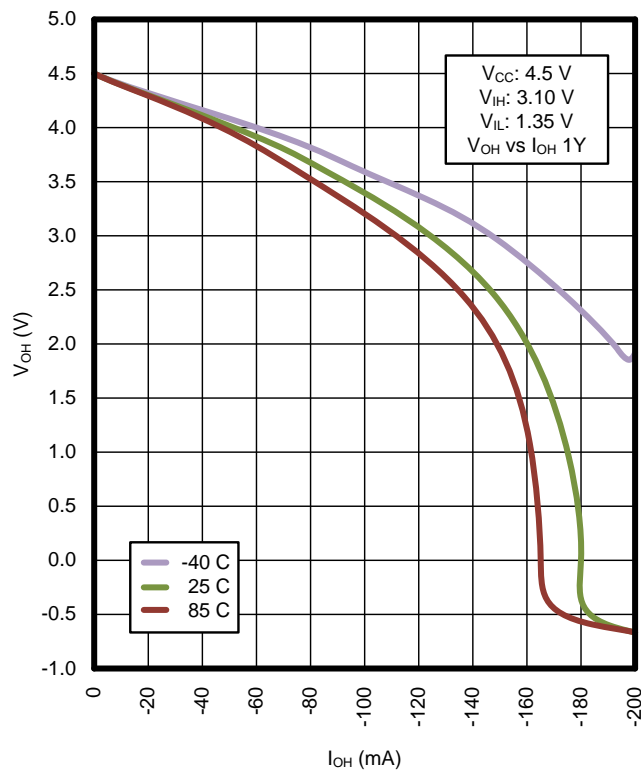
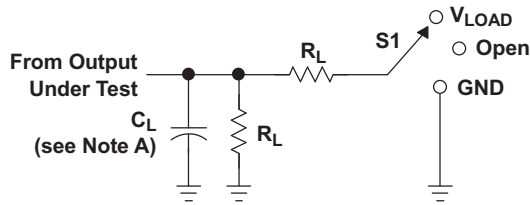


Figure 1.  $I_{OH}$  vs  $V_{OH}$

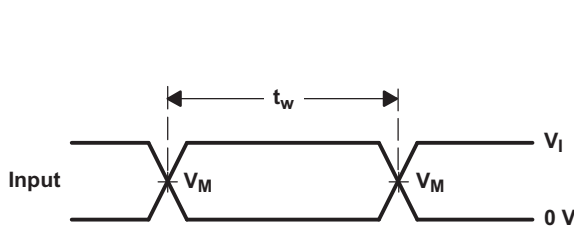
## 7 Parameter Measurement Information



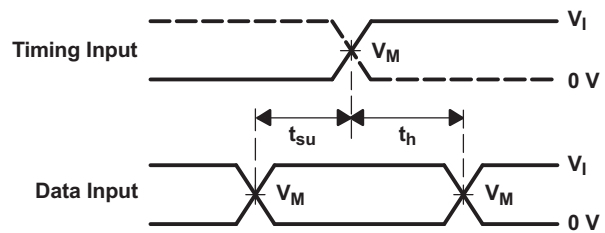
LOAD CIRCUIT

| TEST              | S1         |
|-------------------|------------|
| $t_{PLH}/t_{PHL}$ | Open       |
| $t_{PLZ}/t_{PZL}$ | $V_{LOAD}$ |
| $t_{PHZ}/t_{PZH}$ | GND        |

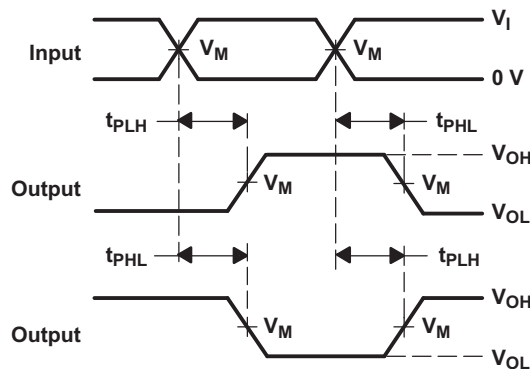
| $V_{CC}$                         | INPUTS   |                      | $V_M$      | $V_{LOAD}$        | $C_L$ | $R_L$        | $V_D$  |
|----------------------------------|----------|----------------------|------------|-------------------|-------|--------------|--------|
|                                  | $V_I$    | $t_r/t_f$            |            |                   |       |              |        |
| $1.8\text{ V} \pm 0.15\text{ V}$ | $V_{CC}$ | $\leq 2\text{ ns}$   | $V_{CC}/2$ | $2 \times V_{CC}$ | 30 pF | 1 k $\Omega$ | 0.15 V |
| $2.5\text{ V} \pm 0.2\text{ V}$  | $V_{CC}$ | $\leq 2\text{ ns}$   | $V_{CC}/2$ | $2 \times V_{CC}$ | 30 pF | 500 $\Omega$ | 0.15 V |
| $3.3\text{ V} \pm 0.3\text{ V}$  | 3 V      | $\leq 2.5\text{ ns}$ | 1.5 V      | 6 V               | 50 pF | 500 $\Omega$ | 0.3 V  |
| $5\text{ V} \pm 0.5\text{ V}$    | $V_{CC}$ | $\leq 2.5\text{ ns}$ | $V_{CC}/2$ | $2 \times V_{CC}$ | 50 pF | 500 $\Omega$ | 0.3 V  |



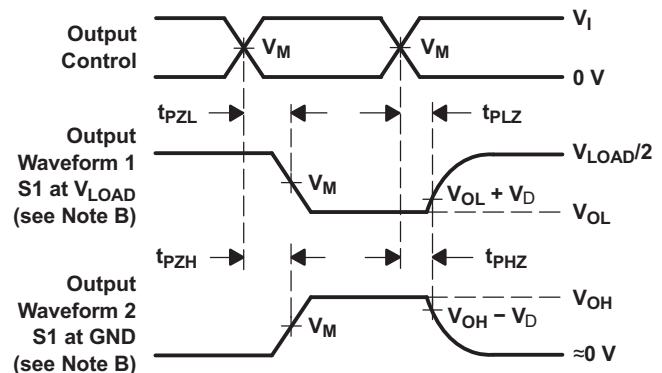
VOLTAGE WAVEFORMS PULSE DURATION



VOLTAGE WAVEFORMS SETUP AND HOLD TIMES



VOLTAGE WAVEFORMS PROPAGATION DELAY TIMES INVERTING AND NONINVERTING OUTPUTS



VOLTAGE WAVEFORMS ENABLE AND DISABLE TIMES LOW- AND HIGH-LEVEL ENABLING

- NOTES:
- $C_L$  includes probe and jig capacitance.
  - Waveform 1 is for an output with internal conditions such that the output is low except when disabled by the output control. Waveform 2 is for an output with internal conditions such that the output is high, except when disabled by the output control.
  - All input pulses are supplied by generators having the following characteristics:  $PRR \leq 10\text{ MHz}$ ,  $Z_O = 50\ \Omega$ .
  - The outputs are measured one at a time, with one transition per measurement.
  - $t_{PLZ}$  and  $t_{PHZ}$  are the same as  $t_{dis}$ .
  - $t_{PZL}$  and  $t_{PZH}$  are the same as  $t_{en}$ .
  - $t_{PLH}$  and  $t_{PHL}$  are the same as  $t_{pd}$ .
  - All parameters and waveforms are not applicable to all devices.

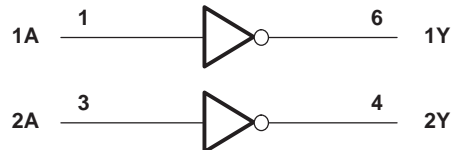
Figure 2. Load Circuit and Voltage Waveforms

## 8 Detailed Description

### 8.1 Overview

The SN74LVC2G04 contains two identical inverters that operate from 1.65-V to 5.5-V  $V_{CC}$ . Each inverter has a balanced output capable of outputting 32 mA at  $V_{CC} = 4.5$  V. The overvoltage tolerant inputs allow for down-translation of up to 6.5 V, and the partial power-off feature ensures that the inputs and outputs can be any value from  $-0.5$  V to 6.5 V when  $V_{CC}$  is 0 V

### 8.2 Functional Block Diagram



### 8.3 Feature Description

NanoFree package technology is a major breakthrough in IC packaging concepts, using the die as the package. This device supports 5-V  $V_{CC}$  operation and up to 5.5-V inputs. It has a low propagation delay of only 4.1 ns at 3.3 V.

Power consumption is low with only 10- $\mu$ A Max  $I_{CC}$ . Balanced drive output at 3.3 V can put out  $\pm 24$ -mA.

Typical output ground bounce is less than 0.8 V at 3.3-V  $V_{CC}$  and typical output undershoot is greater than 2 V at 3.3-V  $V_{CC}$ .

This device supports partial-power-down mode operation.

### 8.4 Device Functional Modes

[Table 1](#) lists the functional modes of the SN74LVC2G04.

**Table 1. Function Table (Each Inverter)**

| INPUT<br>A | OUTPUT<br>Y |
|------------|-------------|
| H          | L           |
| L          | H           |



## 9 Application and Implementation

### NOTE

Information in the following applications sections is not part of the TI component specification, and TI does not warrant its accuracy or completeness. TI's customers are responsible for determining suitability of components for their purposes. Customers should validate and test their design implementation to confirm system functionality.

### 9.1 Application Information

The SN74LVC2G04 contains two logic inverters. It can be used in a wide variety of applications, with this being one example. Because this part has overvoltage tolerant inputs, it can be used for down translating logic levels. This example explains the method used for down-translating with this logic gate.

### 9.2 Typical Application

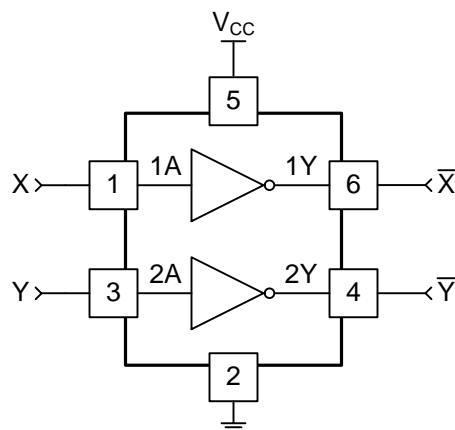


Figure 3. Application Schematic

#### 9.2.1 Design Requirements

The inputs, X and Y in Figure 3, to this device can be any value from  $-0.5\text{ V}$  to  $6.5\text{ V}$ , according to [Absolute Maximum Ratings](#). Because the input limits are not associated with  $V_{CC}$ , down-translation is simple. The output voltage is selected with  $V_{CC}$ , and so long as the input logic voltage is larger than  $V_{IH}$ , found in [Recommended Operating Conditions](#), the output will trigger properly.

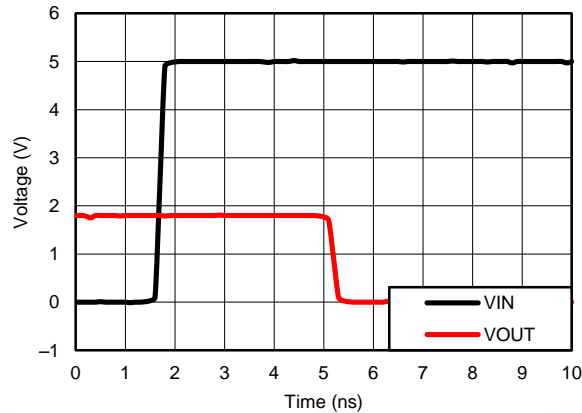
#### 9.2.2 Detailed Design Procedure

1. Recommended Input Conditions
  - For rise time and fall time specifications, see  $(\Delta t/\Delta V)$  in the [Recommended Operating Conditions](#) table.
  - For specified high and low levels, see  $(V_{IH}$  and  $V_{IL})$  in the [Recommended Operating Conditions](#) table.
  - Inputs are overvoltage tolerant allowing them to go as high as  $(V_I \text{ max})$  in the [Recommended Operating Conditions](#) table at any valid  $V_{CC}$ .
2. Recommend Output Conditions
  - Load currents should not exceed  $(I_O \text{ max})$  per output and should not exceed total current (continuous current through  $V_{CC}$  or GND) for the part. These limits are located in the [Absolute Maximum Ratings](#) table.
  - Outputs should not be pulled above  $V_{CC}$ .

## Typical Application (continued)

### 9.2.3 Application Curve

There is a slight delay from input to output in addition to the voltage change. [Figure 4](#) shows the expected output of the SN74LVC2G04 when an input is switched from 0 to 5 V and  $V_{CC}$  is set at 1.8 V. With  $V_{CC}$  set to 1.8 V, the output switches at 1.17 V ( $0.65 \times V_{CC}$ ), and therefore the input can be anything from 1.18 V up to 6.5 V and the SN74LVC2G04 will work perfectly.



**Figure 4. Simulated Voltage Down-Translation from 5-V Input to 1.8-V Output With  $t_{pd} = 3.4$  ns.**

## 10 Power Supply Recommendations

The power supply can be any voltage between the min and max supply voltage rating located in the [Recommended Operating Conditions](#) table.

Each  $V_{CC}$  pin should have a good bypass capacitor to prevent power disturbance. For devices with a single supply a 0.1- $\mu$ F capacitor is recommended and if there are multiple  $V_{CC}$  pins then a 0.01- $\mu$ F or 0.022- $\mu$ F capacitor is recommended for each power pin. It is ok to parallel multiple bypass caps to reject different frequencies of noise. 0.1- $\mu$ F and 1- $\mu$ F capacitors are commonly used in parallel. The bypass capacitor should be installed as close to the power pin as possible for best results.

## 11 Layout

### 11.1 Layout Guidelines

When using multiple bit logic devices, inputs should not float. In many cases, functions or parts of functions of digital logic devices are unused. Some examples are when only two inputs of a triple-input AND gate are used, or when only 3 of the 4 buffer gates are used. Such input pins should not be left unconnected because the undefined voltages at the outside connections result in undefined operational states.

Specified in [Figure 5](#) are the rules that must be observed under all circumstances. All unused inputs of digital logic devices must be connected to a high or low bias to prevent them from floating. The logic level that should be applied to any particular unused input depends on the function of the device. Generally they will be tied to GND or  $V_{CC}$ , whichever makes more sense or is more convenient.

### 11.2 Layout Example

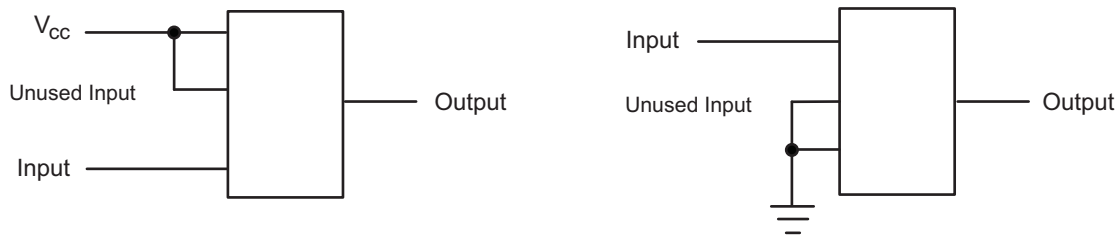


Figure 5. Layout Diagram

## 12 Device and Documentation Support

### 12.1 Documentation Support

#### 12.1.1 Related Documentation

For related documentation, see the following:

*Implications of Slow or Floating CMOS Inputs*, [SCBA004](#)

### 12.2 Community Resources

The following links connect to TI community resources. Linked contents are provided "AS IS" by the respective contributors. They do not constitute TI specifications and do not necessarily reflect TI's views; see TI's [Terms of Use](#).

**TI E2E™ Online Community** *TI's Engineer-to-Engineer (E2E) Community*. Created to foster collaboration among engineers. At [e2e.ti.com](#), you can ask questions, share knowledge, explore ideas and help solve problems with fellow engineers.

**Design Support** *TI's Design Support* Quickly find helpful E2E forums along with design support tools and contact information for technical support.

### 12.3 Trademarks

NanoFree, E2E are trademarks of Texas Instruments.  
All other trademarks are the property of their respective owners.

### 12.4 Electrostatic Discharge Caution



These devices have limited built-in ESD protection. The leads should be shorted together or the device placed in conductive foam during storage or handling to prevent electrostatic damage to the MOS gates.

### 12.5 Glossary

[SLYZ022](#) — *TI Glossary*.

This glossary lists and explains terms, acronyms, and definitions.

## 13 Mechanical, Packaging, and Orderable Information

The following pages include mechanical, packaging, and orderable information. This information is the most current data available for the designated devices. This data is subject to change without notice and revision of this document. For browser-based versions of this data sheet, refer to the left-hand navigation.

**PACKAGING INFORMATION**

| Orderable Device  | Status<br>(1) | Package Type | Package Drawing | Pins | Package Qty | Eco Plan<br>(2)  | Lead finish/<br>Ball material<br>(6) | MSL Peak Temp<br>(3) | Op Temp (°C) | Device Marking<br>(4/5)    | Samples                 |
|-------------------|---------------|--------------|-----------------|------|-------------|------------------|--------------------------------------|----------------------|--------------|----------------------------|-------------------------|
| SN74LVC2G04DBVR   | ACTIVE        | SOT-23       | DBV             | 6    | 3000        | RoHS & Green     | NIPDAU   SN                          | Level-1-260C-UNLIM   | -40 to 125   | (C045, C04F, C04K, C04R)   | <a href="#">Samples</a> |
| SN74LVC2G04DBVRE4 | ACTIVE        | SOT-23       | DBV             | 6    | 3000        | RoHS & Green     | NIPDAU                               | Level-1-260C-UNLIM   | -40 to 125   | (C04F, C04R)               | <a href="#">Samples</a> |
| SN74LVC2G04DBVRG4 | ACTIVE        | SOT-23       | DBV             | 6    | 3000        | RoHS & Green     | NIPDAU                               | Level-1-260C-UNLIM   | -40 to 125   | (C04F, C04R)               | <a href="#">Samples</a> |
| SN74LVC2G04DBVT   | ACTIVE        | SOT-23       | DBV             | 6    | 250         | RoHS & Green     | NIPDAU   SN                          | Level-1-260C-UNLIM   | -40 to 125   | (C045, C04F, C04K, C04R)   | <a href="#">Samples</a> |
| SN74LVC2G04DBVTG4 | ACTIVE        | SOT-23       | DBV             | 6    | 250         | RoHS & Green     | NIPDAU                               | Level-1-260C-UNLIM   | -40 to 125   | (C04F, C04R)               | <a href="#">Samples</a> |
| SN74LVC2G04DCK3   | ACTIVE        | SC70         | DCK             | 6    | 3000        | RoHS & Non-Green | SNBI                                 | Level-1-260C-UNLIM   | -40 to 125   | CCZ                        | <a href="#">Samples</a> |
| SN74LVC2G04DCKR   | ACTIVE        | SC70         | DCK             | 6    | 3000        | RoHS & Green     | NIPDAU   SN                          | Level-1-260C-UNLIM   | -40 to 125   | (CC5, CCF, CCJ, CC K, CCR) | <a href="#">Samples</a> |
| SN74LVC2G04DCKRE4 | ACTIVE        | SC70         | DCK             | 6    | 3000        | RoHS & Green     | NIPDAU                               | Level-1-260C-UNLIM   | -40 to 125   | CC5                        | <a href="#">Samples</a> |
| SN74LVC2G04DCKRG4 | ACTIVE        | SC70         | DCK             | 6    | 3000        | RoHS & Green     | NIPDAU                               | Level-1-260C-UNLIM   | -40 to 125   | CC5                        | <a href="#">Samples</a> |
| SN74LVC2G04DCKT   | ACTIVE        | SC70         | DCK             | 6    | 250         | RoHS & Green     | NIPDAU   SN                          | Level-1-260C-UNLIM   | -40 to 125   | (CC5, CCF, CCJ, CC K, CCR) | <a href="#">Samples</a> |
| SN74LVC2G04DCKTG4 | ACTIVE        | SC70         | DCK             | 6    | 250         | RoHS & Green     | NIPDAU                               | Level-1-260C-UNLIM   | -40 to 125   | CC5                        | <a href="#">Samples</a> |
| SN74LVC2G04DRLR   | ACTIVE        | SOT-5X3      | DRL             | 6    | 4000        | RoHS & Green     | NIPDAU   NIPDAUAG                    | Level-1-260C-UNLIM   | -40 to 125   | (CC7, CCR)                 | <a href="#">Samples</a> |
| SN74LVC2G04DRLRG4 | ACTIVE        | SOT-5X3      | DRL             | 6    | 4000        | RoHS & Green     | NIPDAUAG                             | Level-1-260C-UNLIM   | -40 to 125   | (CC7, CCR)                 | <a href="#">Samples</a> |
| SN74LVC2G04YZPR   | ACTIVE        | DSBGA        | YZP             | 6    | 3000        | RoHS & Green     | SNAGCU                               | Level-1-260C-UNLIM   | -40 to 125   | (CC7, CCN)                 | <a href="#">Samples</a> |

(1) The marketing status values are defined as follows:

**ACTIVE:** Product device recommended for new designs.

**LIFEBUY:** TI has announced that the device will be discontinued, and a lifetime-buy period is in effect.

**NRND:** Not recommended for new designs. Device is in production to support existing customers, but TI does not recommend using this part in a new design.

**PREVIEW:** Device has been announced but is not in production. Samples may or may not be available.

**OBSOLETE:** TI has discontinued the production of the device.

(2) **RoHS:** TI defines "RoHS" to mean semiconductor products that are compliant with the current EU RoHS requirements for all 10 RoHS substances, including the requirement that RoHS substance do not exceed 0.1% by weight in homogeneous materials. Where designed to be soldered at high temperatures, "RoHS" products are suitable for use in specified lead-free processes. TI may reference these types of products as "Pb-Free".

**RoHS Exempt:** TI defines "RoHS Exempt" to mean products that contain lead but are compliant with EU RoHS pursuant to a specific EU RoHS exemption.

**Green:** TI defines "Green" to mean the content of Chlorine (Cl) and Bromine (Br) based flame retardants meet JS709B low halogen requirements of  $\leq 1000$ ppm threshold. Antimony trioxide based flame retardants must also meet the  $\leq 1000$ ppm threshold requirement.

(3) MSL, Peak Temp. - The Moisture Sensitivity Level rating according to the JEDEC industry standard classifications, and peak solder temperature.

(4) There may be additional marking, which relates to the logo, the lot trace code information, or the environmental category on the device.

(5) Multiple Device Markings will be inside parentheses. Only one Device Marking contained in parentheses and separated by a "~" will appear on a device. If a line is indented then it is a continuation of the previous line and the two combined represent the entire Device Marking for that device.

(6) Lead finish/Ball material - Orderable Devices may have multiple material finish options. Finish options are separated by a vertical ruled line. Lead finish/Ball material values may wrap to two lines if the finish value exceeds the maximum column width.

**Important Information and Disclaimer:** The information provided on this page represents TI's knowledge and belief as of the date that it is provided. TI bases its knowledge and belief on information provided by third parties, and makes no representation or warranty as to the accuracy of such information. Efforts are underway to better integrate information from third parties. TI has taken and continues to take reasonable steps to provide representative and accurate information but may not have conducted destructive testing or chemical analysis on incoming materials and chemicals. TI and TI suppliers consider certain information to be proprietary, and thus CAS numbers and other limited information may not be available for release.

In no event shall TI's liability arising out of such information exceed the total purchase price of the TI part(s) at issue in this document sold by TI to Customer on an annual basis.

#### **OTHER QUALIFIED VERSIONS OF SN74LVC2G04 :**

- Enhanced Product: [SN74LVC2G04-EP](#)

NOTE: Qualified Version Definitions:

- Enhanced Product - Supports Defense, Aerospace and Medical Applications

## TAPE AND REEL INFORMATION

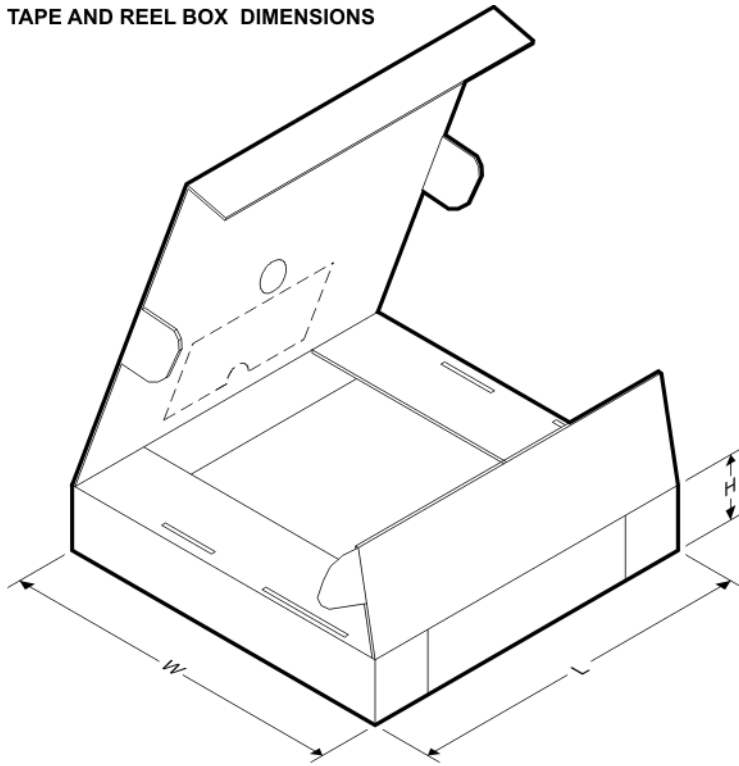


### QUADRANT ASSIGNMENTS FOR PIN 1 ORIENTATION IN TAPE



\*All dimensions are nominal

| Device            | Package Type | Package Drawing | Pins | SPQ  | Reel Diameter (mm) | Reel Width W1 (mm) | A0 (mm) | B0 (mm) | K0 (mm) | P1 (mm) | W (mm) | Pin1 Quadrant |
|-------------------|--------------|-----------------|------|------|--------------------|--------------------|---------|---------|---------|---------|--------|---------------|
| SN74LVC2G04DBVR   | SOT-23       | DBV             | 6    | 3000 | 180.0              | 8.4                | 3.23    | 3.17    | 1.37    | 4.0     | 8.0    | Q3            |
| SN74LVC2G04DBVR   | SOT-23       | DBV             | 6    | 3000 | 178.0              | 9.0                | 3.23    | 3.17    | 1.37    | 4.0     | 8.0    | Q3            |
| SN74LVC2G04DBVR   | SOT-23       | DBV             | 6    | 3000 | 178.0              | 9.2                | 3.3     | 3.23    | 1.55    | 4.0     | 8.0    | Q3            |
| SN74LVC2G04DBVRG4 | SOT-23       | DBV             | 6    | 3000 | 178.0              | 9.0                | 3.23    | 3.17    | 1.37    | 4.0     | 8.0    | Q3            |
| SN74LVC2G04DBVT   | SOT-23       | DBV             | 6    | 250  | 178.0              | 9.2                | 3.3     | 3.23    | 1.55    | 4.0     | 8.0    | Q3            |
| SN74LVC2G04DBVT   | SOT-23       | DBV             | 6    | 250  | 180.0              | 8.4                | 3.23    | 3.17    | 1.37    | 4.0     | 8.0    | Q3            |
| SN74LVC2G04DBVTG4 | SOT-23       | DBV             | 6    | 250  | 178.0              | 9.0                | 3.23    | 3.17    | 1.37    | 4.0     | 8.0    | Q3            |
| SN74LVC2G04DCKR   | SC70         | DCK             | 6    | 3000 | 180.0              | 8.4                | 2.41    | 2.41    | 1.2     | 4.0     | 8.0    | Q3            |
| SN74LVC2G04DCKR   | SC70         | DCK             | 6    | 3000 | 178.0              | 9.2                | 2.4     | 2.4     | 1.22    | 4.0     | 8.0    | Q3            |
| SN74LVC2G04DCKR   | SC70         | DCK             | 6    | 3000 | 178.0              | 9.0                | 2.4     | 2.5     | 1.2     | 4.0     | 8.0    | Q3            |
| SN74LVC2G04DCKRG4 | SC70         | DCK             | 6    | 3000 | 178.0              | 9.2                | 2.4     | 2.4     | 1.22    | 4.0     | 8.0    | Q3            |
| SN74LVC2G04DCKT   | SC70         | DCK             | 6    | 250  | 180.0              | 8.4                | 2.41    | 2.41    | 1.2     | 4.0     | 8.0    | Q3            |
| SN74LVC2G04DCKT   | SC70         | DCK             | 6    | 250  | 178.0              | 9.0                | 2.4     | 2.5     | 1.2     | 4.0     | 8.0    | Q3            |
| SN74LVC2G04DCKT   | SC70         | DCK             | 6    | 250  | 178.0              | 9.2                | 2.4     | 2.4     | 1.22    | 4.0     | 8.0    | Q3            |
| SN74LVC2G04DCKTG4 | SC70         | DCK             | 6    | 250  | 178.0              | 9.2                | 2.4     | 2.4     | 1.22    | 4.0     | 8.0    | Q3            |
| SN74LVC2G04DRLR   | SOT-5X3      | DRL             | 6    | 4000 | 180.0              | 9.5                | 1.78    | 1.78    | 0.69    | 4.0     | 8.0    | Q3            |
| SN74LVC2G04DRLR   | SOT-5X3      | DRL             | 6    | 4000 | 180.0              | 8.4                | 1.98    | 1.78    | 0.69    | 4.0     | 8.0    | Q3            |
| SN74LVC2G04YZPR   | DSBGA        | YZP             | 6    | 3000 | 178.0              | 9.2                | 1.02    | 1.52    | 0.63    | 4.0     | 8.0    | Q1            |

**TAPE AND REEL BOX DIMENSIONS**


\*All dimensions are nominal

| Device            | Package Type | Package Drawing | Pins | SPQ  | Length (mm) | Width (mm) | Height (mm) |
|-------------------|--------------|-----------------|------|------|-------------|------------|-------------|
| SN74LVC2G04DBVR   | SOT-23       | DBV             | 6    | 3000 | 202.0       | 201.0      | 28.0        |
| SN74LVC2G04DBVR   | SOT-23       | DBV             | 6    | 3000 | 180.0       | 180.0      | 18.0        |
| SN74LVC2G04DBVR   | SOT-23       | DBV             | 6    | 3000 | 180.0       | 180.0      | 18.0        |
| SN74LVC2G04DBVRG4 | SOT-23       | DBV             | 6    | 3000 | 180.0       | 180.0      | 18.0        |
| SN74LVC2G04DBVT   | SOT-23       | DBV             | 6    | 250  | 180.0       | 180.0      | 18.0        |
| SN74LVC2G04DBVT   | SOT-23       | DBV             | 6    | 250  | 202.0       | 201.0      | 28.0        |
| SN74LVC2G04DBVTG4 | SOT-23       | DBV             | 6    | 250  | 180.0       | 180.0      | 18.0        |
| SN74LVC2G04DCKR   | SC70         | DCK             | 6    | 3000 | 202.0       | 201.0      | 28.0        |
| SN74LVC2G04DCKR   | SC70         | DCK             | 6    | 3000 | 180.0       | 180.0      | 18.0        |
| SN74LVC2G04DCKR   | SC70         | DCK             | 6    | 3000 | 180.0       | 180.0      | 18.0        |
| SN74LVC2G04DCKRG4 | SC70         | DCK             | 6    | 3000 | 180.0       | 180.0      | 18.0        |
| SN74LVC2G04DCKT   | SC70         | DCK             | 6    | 250  | 202.0       | 201.0      | 28.0        |
| SN74LVC2G04DCKT   | SC70         | DCK             | 6    | 250  | 180.0       | 180.0      | 18.0        |
| SN74LVC2G04DCKT   | SC70         | DCK             | 6    | 250  | 180.0       | 180.0      | 18.0        |
| SN74LVC2G04DCKTG4 | SC70         | DCK             | 6    | 250  | 180.0       | 180.0      | 18.0        |
| SN74LVC2G04DRLR   | SOT-5X3      | DRL             | 6    | 4000 | 184.0       | 184.0      | 19.0        |
| SN74LVC2G04DRLR   | SOT-5X3      | DRL             | 6    | 4000 | 202.0       | 201.0      | 28.0        |
| SN74LVC2G04YZPR   | DSBGA        | YZP             | 6    | 3000 | 220.0       | 220.0      | 35.0        |



DBV0006A



# PACKAGE OUTLINE

SOT-23 - 1.45 mm max height

SMALL OUTLINE TRANSISTOR



4214840/B 03/2018

NOTES:

1. All linear dimensions are in millimeters. Any dimensions in parenthesis are for reference only. Dimensioning and tolerancing per ASME Y14.5M.
2. This drawing is subject to change without notice.
3. Body dimensions do not include mold flash or protrusion. Mold flash and protrusion shall not exceed 0.15 per side.
4. Leads 1,2,3 may be wider than leads 4,5,6 for package orientation.
5. Reference JEDEC MO-178.

# EXAMPLE BOARD LAYOUT

DBV0006A

SOT-23 - 1.45 mm max height

SMALL OUTLINE TRANSISTOR



LAND PATTERN EXAMPLE  
EXPOSED METAL SHOWN  
SCALE:15X



SOLDER MASK DETAILS

4214840/B 03/2018

NOTES: (continued)

6. Publication IPC-7351 may have alternate designs.

7. Solder mask tolerances between and around signal pads can vary based on board fabrication site.

# EXAMPLE STENCIL DESIGN

DBV0006A

SOT-23 - 1.45 mm max height

SMALL OUTLINE TRANSISTOR



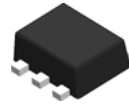
SOLDER PASTE EXAMPLE  
BASED ON 0.125 mm THICK STENCIL  
SCALE:15X

4214840/B 03/2018

NOTES: (continued)

8. Laser cutting apertures with trapezoidal walls and rounded corners may offer better paste release. IPC-7525 may have alternate design recommendations.
9. Board assembly site may have different recommendations for stencil design.

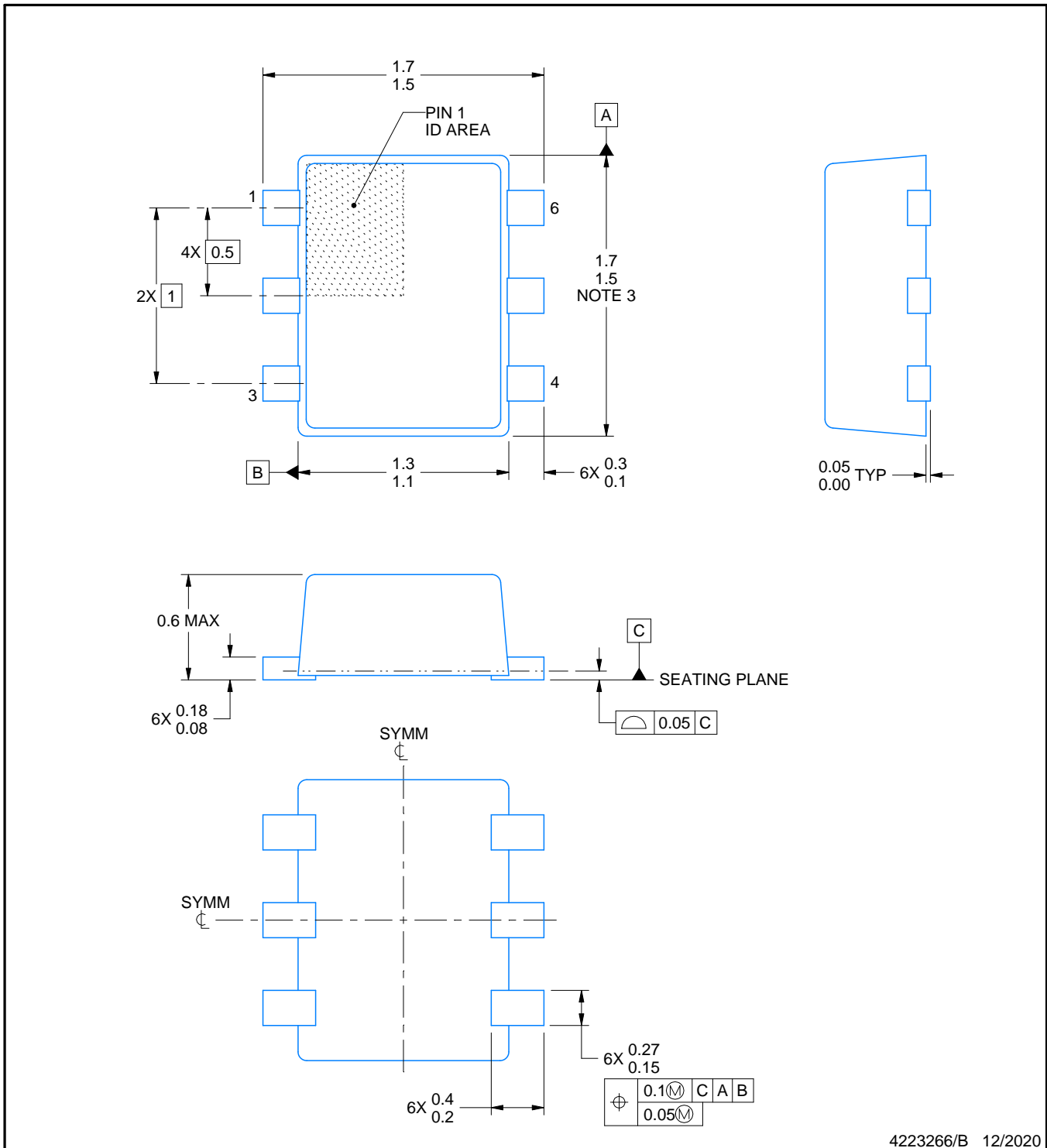
# DRL0006A



## PACKAGE OUTLINE

SOT - 0.6 mm max height

PLASTIC SMALL OUTLINE



4223266/B 12/2020

### NOTES:

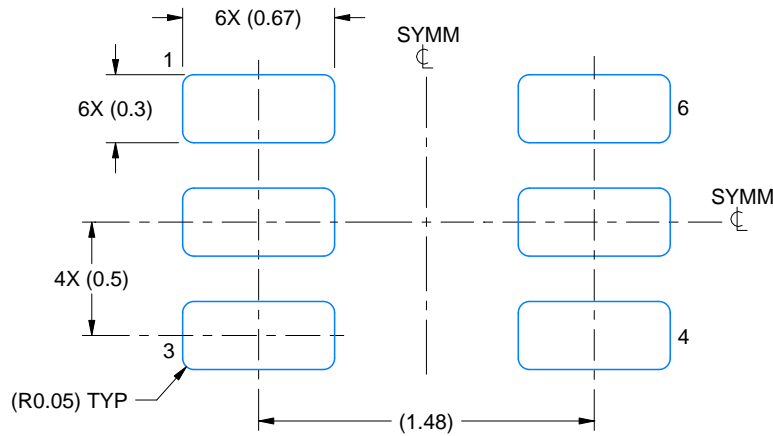
1. All linear dimensions are in millimeters. Any dimensions in parenthesis are for reference only. Dimensioning and tolerancing per ASME Y14.5M.
2. This drawing is subject to change without notice.
3. This dimension does not include mold flash, protrusions, or gate burrs. Mold flash, protrusions, or gate burrs shall not exceed 0.15 mm per side.
4. Reference JEDEC registration MO-293 Variation UAAD

# EXAMPLE BOARD LAYOUT

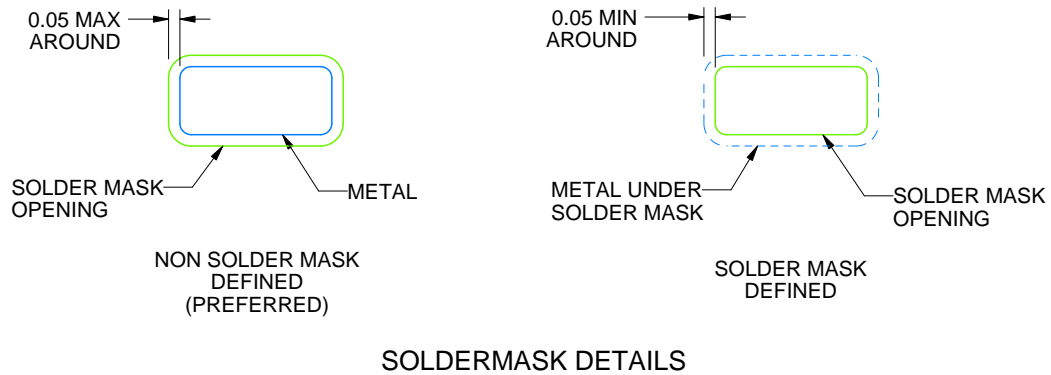
DRL0006A

SOT - 0.6 mm max height

PLASTIC SMALL OUTLINE



LAND PATTERN EXAMPLE  
SCALE:30X



4223266/B 12/2020

NOTES: (continued)

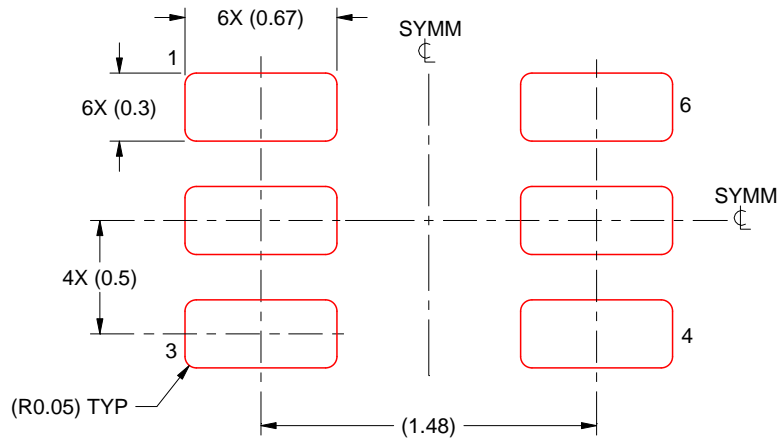
- 5. Publication IPC-7351 may have alternate designs.
- 6. Solder mask tolerances between and around signal pads can vary based on board fabrication site.

# EXAMPLE STENCIL DESIGN

DRL0006A

SOT - 0.6 mm max height

PLASTIC SMALL OUTLINE



SOLDER PASTE EXAMPLE  
BASED ON 0.1 mm THICK STENCIL  
SCALE:30X

4223266/B 12/2020

NOTES: (continued)

7. Laser cutting apertures with trapezoidal walls and rounded corners may offer better paste release. IPC-7525 may have alternate design recommendations.
8. Board assembly site may have different recommendations for stencil design.

DCK (R-PDSO-G6)

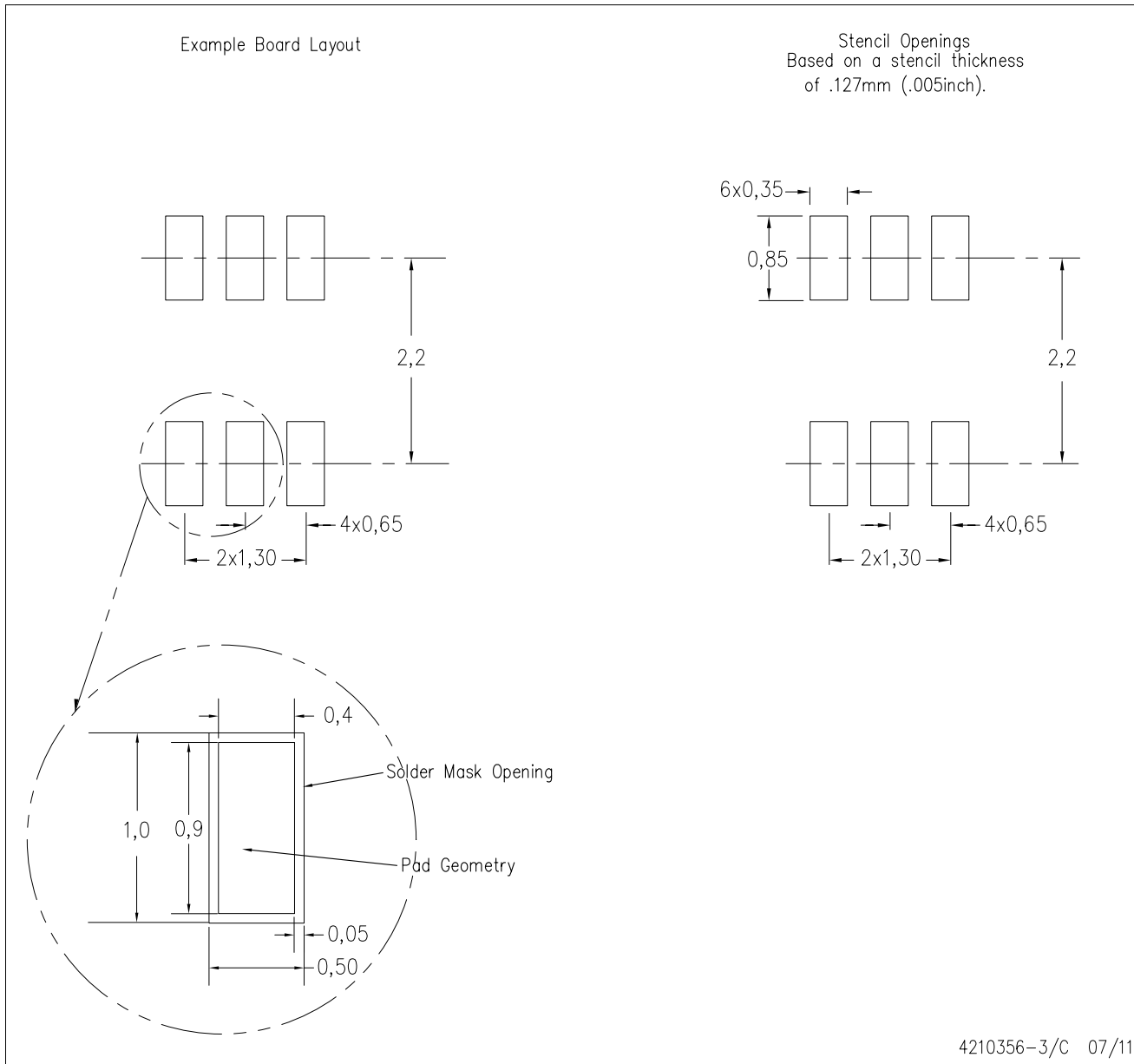
PLASTIC SMALL-OUTLINE PACKAGE



- NOTES:
- A. All linear dimensions are in millimeters.
  - B. This drawing is subject to change without notice.
  - C. Body dimensions do not include mold flash or protrusion. Mold flash and protrusion shall not exceed 0.15 per side.
  - D. Falls within JEDEC MO-203 variation AB.

DCK (R-PDSO-G6)

PLASTIC SMALL OUTLINE



- NOTES:
- A. All linear dimensions are in millimeters.
  - B. This drawing is subject to change without notice.
  - C. Customers should place a note on the circuit board fabrication drawing not to alter the center solder mask defined pad.
  - D. Publication IPC-7351 is recommended for alternate designs.
  - E. Laser cutting apertures with trapezoidal walls and also rounding corners will offer better paste release. Customers should contact their board assembly site for stencil design recommendations. Example stencil design based on a 50% volumetric metal load solder paste. Refer to IPC-7525 for other stencil recommendations.



YZP0006



PACKAGE OUTLINE

DSBGA - 0.5 mm max height

DIE SIZE BALL GRID ARRAY



4219524/A 06/2014

NOTES:

NanoFree Is a trademark of Texas Instruments.

1. All linear dimensions are in millimeters. Any dimensions in parenthesis are for reference only. Dimensioning and tolerancing per ASME Y14.5M.
2. This drawing is subject to change without notice.
3. NanoFree™ package configuration.

# EXAMPLE BOARD LAYOUT

YZP0006

DSBGA - 0.5 mm max height

DIE SIZE BALL GRID ARRAY



LAND PATTERN EXAMPLE  
SCALE:40X



4219524/A 06/2014

NOTES: (continued)

- Final dimensions may vary due to manufacturing tolerance considerations and also routing constraints. For more information, see Texas Instruments literature number SBVA017 ([www.ti.com/lit/sbva017](http://www.ti.com/lit/sbva017)).

# EXAMPLE STENCIL DESIGN

YZP0006

DSBGA - 0.5 mm max height

DIE SIZE BALL GRID ARRAY



SOLDER PASTE EXAMPLE  
BASED ON 0.1 mm THICK STENCIL  
SCALE:40X

4219524/A 06/2014

NOTES: (continued)

5. Laser cutting apertures with trapezoidal walls and rounded corners may offer better paste release.

## IMPORTANT NOTICE AND DISCLAIMER

TI PROVIDES TECHNICAL AND RELIABILITY DATA (INCLUDING DATASHEETS), DESIGN RESOURCES (INCLUDING REFERENCE DESIGNS), APPLICATION OR OTHER DESIGN ADVICE, WEB TOOLS, SAFETY INFORMATION, AND OTHER RESOURCES "AS IS" AND WITH ALL FAULTS, AND DISCLAIMS ALL WARRANTIES, EXPRESS AND IMPLIED, INCLUDING WITHOUT LIMITATION ANY IMPLIED WARRANTIES OF MERCHANTABILITY, FITNESS FOR A PARTICULAR PURPOSE OR NON-INFRINGEMENT OF THIRD PARTY INTELLECTUAL PROPERTY RIGHTS.

These resources are intended for skilled developers designing with TI products. You are solely responsible for (1) selecting the appropriate TI products for your application, (2) designing, validating and testing your application, and (3) ensuring your application meets applicable standards, and any other safety, security, or other requirements. These resources are subject to change without notice. TI grants you permission to use these resources only for development of an application that uses the TI products described in the resource. Other reproduction and display of these resources is prohibited. No license is granted to any other TI intellectual property right or to any third party intellectual property right. TI disclaims responsibility for, and you will fully indemnify TI and its representatives against, any claims, damages, costs, losses, and liabilities arising out of your use of these resources.

TI's products are provided subject to TI's Terms of Sale (<https://www.ti.com/legal/termsofsale.html>) or other applicable terms available either on [ti.com](https://www.ti.com) or provided in conjunction with such TI products. TI's provision of these resources does not expand or otherwise alter TI's applicable warranties or warranty disclaimers for TI products.

Mailing Address: Texas Instruments, Post Office Box 655303, Dallas, Texas 75265  
Copyright © 2021, Texas Instruments Incorporated