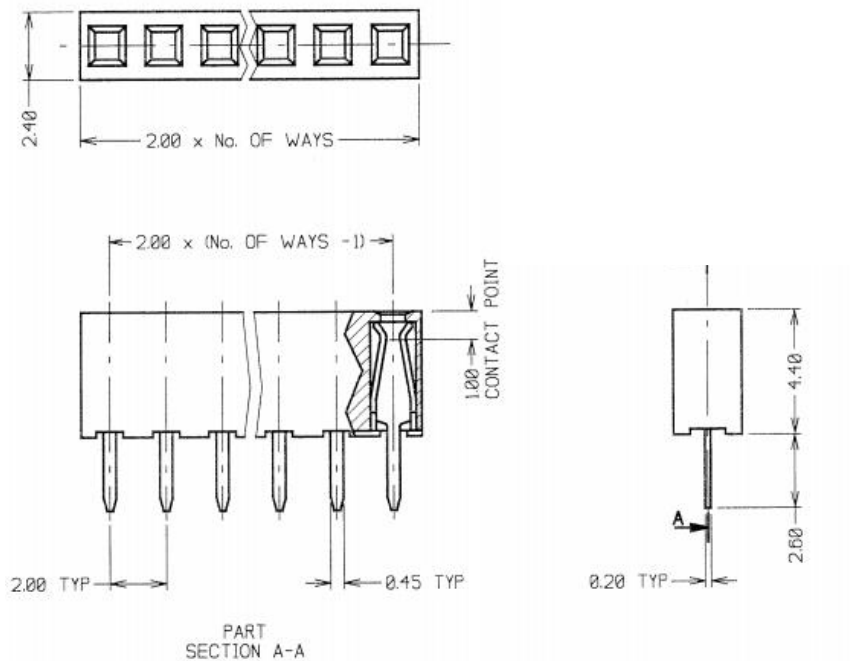


Datasheet

RS 2mm 20 Way 1 Row Straight PCB Socket Through Hole Socket Strip

RS Stock number [605-8774](#)

Dimensions (mm)



Specifications

Material

Moulding: Nylon 6T 940V-0 Black
 Contacts: Phosphor Bronze
 Finish: Nickel
 42 Gold on contact area /
 100% tin on finish (matt) on tails

Mechanical

Insertion Force – 2N max
 Withdrawal force – 0.2 min
 Durability – 1000 operations

Electrical

Current rating: 1A AC/C
 Voltage proof: 500V AC min
 Contact resistance: 20 milliohms max
 Insulation resistance: 1000 megohms max
 Dielectric withstanding: 500V AC for 1min

Environmental

Temperature range -40 °C to +105 °C



ENGLISH

Specifications

Material

Moulding: Nylon 6T 940V-0 Black

Contacts: Phosphor Bronze

Finish: Nickel

42 Gold on contact area / 100% tin on finish (matt) on tails

Mechanical

Insertion Force – 2N max

Withdrawal force – 0.2 min

Durability – 1000 operations

Electrical

Current rating: 1A AC/C

Voltage proof: 500V AC min

Contact resistance: 20 milliohms max

Insulation resistance: 1000 megohms max

Dielectric withstanding: 500V AC for 1min

Environmental

Temperature range -40 °C to +105 °C