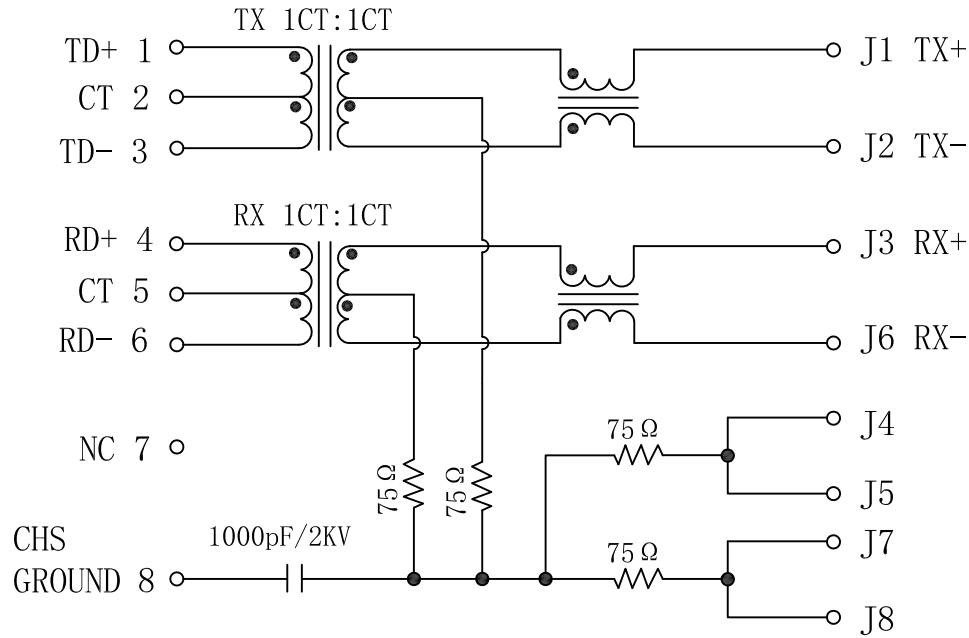


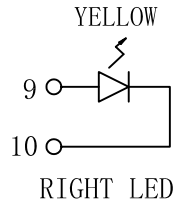
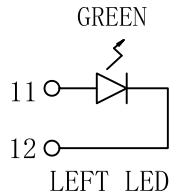
# Schematic:

REV.	ECN NO.	DESCRIPTION	DATE	APPD
A	REL		2015-05-21	

PC BOARD CONNECTIONS



RJ45 CONNECTOR



Emitting Color	$\lambda$ p(nm)	VF@IF=20mA	IR @VR=5V
YELLOW	585	1.8~2.6V	10 $\mu$ A max
GREEN	565	1.8~2.6V	10 $\mu$ A max



## Electrical Specification:

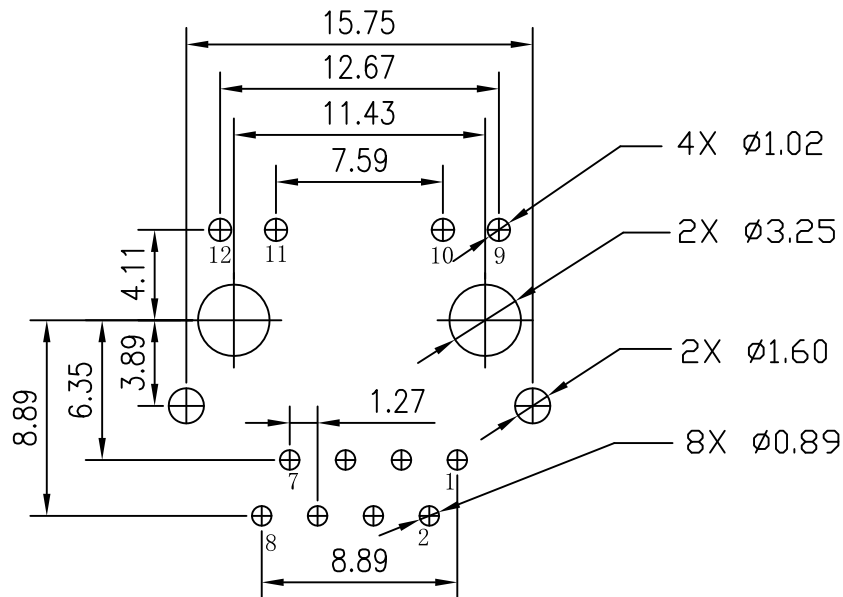
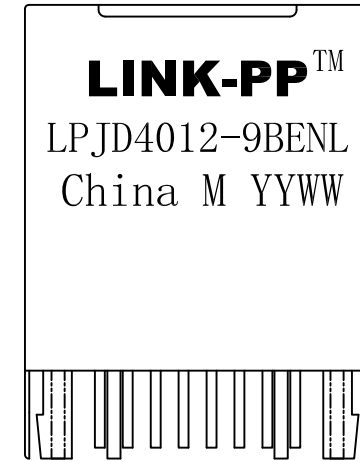
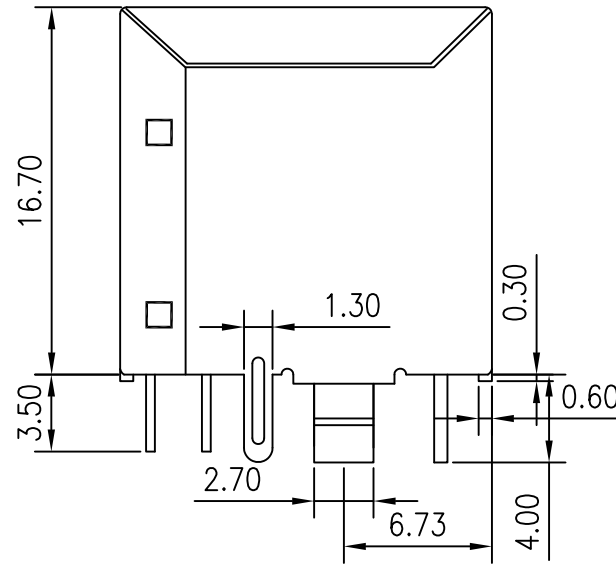
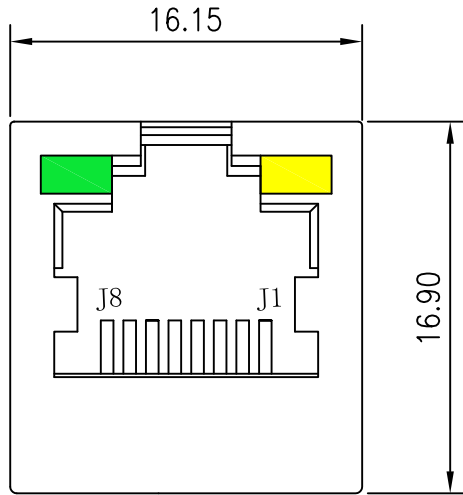
TEST NOTES (25 $\pm$ 5 $^{\circ}$ C)

- TR: (@100KHz, 0.1V);  
TX=1CT:1CT $\pm$ 2%      RX=1CT:1CT $\pm$ 2%
- LX: (@100KHz, 100mV, 8mA, DC Bias)  
PINS: (1-3), (4-6)=350uH MIN
- Transmitter filter & Receiver filter Type:  
Balance low pass 100 $\Omega$  impedance
- Hipot:  
Input (1-3) TO Output (J1-J2): 1500VAC 60sec  
Input (4-6) TO Output (J3-J6): 1500VAC 60sec
- Insertion Loss:  
-1.0dB MAX @1.0MHz TO 100MHz
- Return Loss:  
-18dB MIN @1.0MHz TO 30MHz  
-16dB MIN @30MHz TO 60MHz  
-12dB MIN @60MHz TO 80MHz
- Cross Talk:  
-30dB MIN @1.0MHz TO 100MHz
- Common Mode Rejection:  
-30dB MIN @1.0MHz TO 100MHz
- Operating temperature: -40 $^{\circ}$ C to +85 $^{\circ}$ C.

X:X	$\pm$ 0.30	APPD:	LINK-PP INT'L TECHNOLOGY CO., LIMITED
X:XX	$\pm$ 0.25	CHKD:	
X:XXX	$\pm$ 0.05	DR: TOM	TITLE: Vertical RJ45 Connector With 10/100 Magnetic
ANGLES	$\pm$ 1 $^{\circ}$	UNIT: mm	PART NO.: LPJD4012-9BENL
	SCALE: 3/1	SHEET: 1/2	REV: A      DWG NO.: LP15052133

# Mechanical:

REV.	ECN NO.	DESCRIPTION	DATE	APPD
A	REL		2015-05-21	



SUGGESTED PCB LAYOUT (TOP VIEW)



## NOTES:

1. Designed to support application, such as SOHO (ADSL modems), LAN-on-Motherboard (LOM), hub and Switches.
2. Meets IEEE 802.3 specification
3. Connector Materials:  
Housing: Thermoplastic UL94V-0  
Contact/Shield: Copper alloy  
Shield plating: Nickel  
Contact plating: Gold 50 micro-inches min. In contact area.
4. Wave solder tip temperature: preheat 125°C/90 Secs; 265°C Max, 5 Secs.
5. UL Certification: File Number E484635.

X:X	±0.30	APPD:	LINK-PP INT'L TECHNOLOGY CO., LIMITED
X:XX	±0.25	CHKD:	
X:XXX	±0.05	DR: TOM	TITLE: Vertical RJ45 Connector With 10/100 Magnetic
ANGLES	±1°	UNIT: mm	PART NO.: LPJD4012-9BENL
	SCALE: 3/1	SHEET: 2/2	REV: A DWG NO.: LP15052133