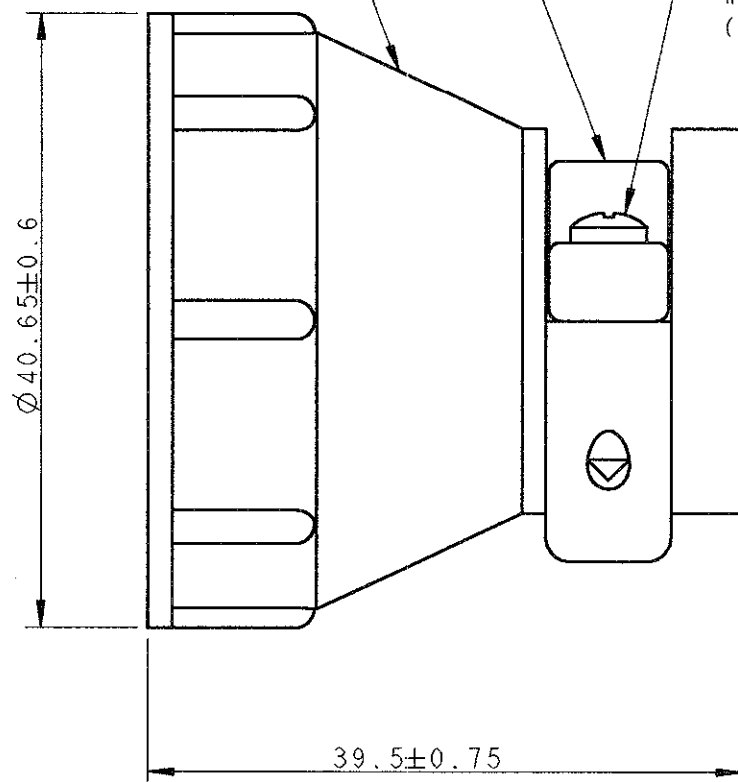
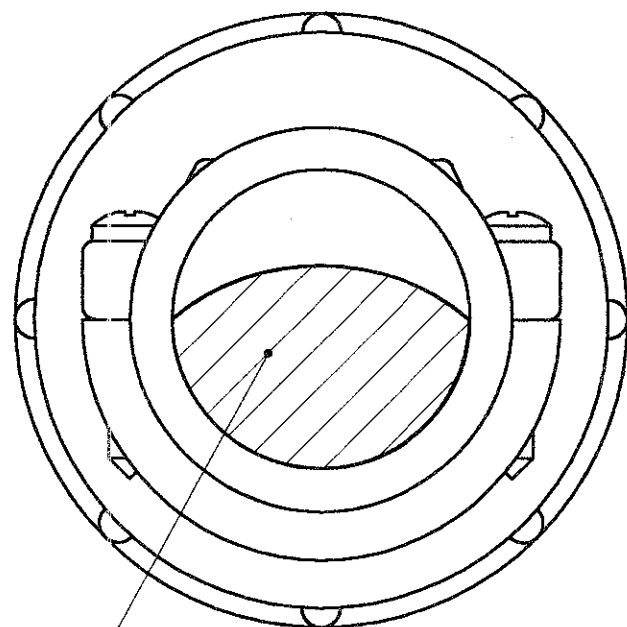


LOC	DIST	REVISIONS			
P	LTR	DESCRIPTION	DATE	DWN	APVD
	B	REDRAWN, ET00-0311-00	13 DEC 00	RE	CT
	C	Changed screw according to RoHS	28/07/05 ECR7789	AV	GT

INSERTO SERRACAVI
(CLAMPING INSERT)

CORPO CORAZZA
(CLAMPING INSERT)

#5-20 VITI AUTOFIETTANTI IN ACCIAIO ZINCATO (Q.TA' 2)
(#5-20 SELF-TAPPING SCREWS, ZINC PLATED STEEL, Q.TY 2)



AREA SERRAGGIO CAVI
(CLAMPING AREA) 3

- 1) MATERIALE : TERMOPLASTICO, COLORE NERO
(MATERIAL : THERMOPLASTIC, BLACK COLOUR)
- 2) PARTICOLARI FORNITI NON ASSEMBLATI IN SACCHETTO DI PLASTICA
(PARTS PACKAGED UNASSEMBLED INTO A PLASTIC BAG)
- 3 L'AREA SERRAGGIO CAVI E' VARIABILE DA 64.5 A 264.5 mm²
IN FUNZIONE DEL TIPO E POSIZIONE DELL'INSERTO SERRACAVO
(CABLE CLAMPING AREA ADJUSTABLE FROM .100 TO .410 SQ. IN.
BY SELECTING AND REVERSING CLAMPING INSERTS)
- 4) QUESTO CONNETTORE E' RICONOSCIUTO E CERTIFICATO
(THIS CONNECTOR IS UL RECOGNIZED AND CSA CERTIFIED)
- 5) Ø MAX DEL FASCIO CAVI = 17.9 mm.
(MAXIMUM CABLE O.D. = .703 IN.)

P/N 182652-1 COME RAPPRESENTATO
(P/N 182652-1 AS SHOWN)

THIS DRAWING IS A CONTROLLED DOCUMENT FOR AMP INCORPORATED. IT IS SUBJECT TO CHANGE AND THE CONTROLLING ENGINEERING ORGANIZATION SHOULD BE CONTACTED FOR THE LATEST REVISION.		DWN R. FABRIZI	06DEC00	AMP AMP Italia S.p.A. C.so F.lli Cervi, 15 COLLEGNO (TO)
DIMENSIONS: mm		CHK -	APVD C. TARTARI	
TOLERANCES UNLESS OTHERWISE SPECIFIED: 0 PLC ± 1 PLC ± 2 PLC ± ±0.3 3 PLC ± 4 PLC ± ANGLES ±2°		PRODUCT SPEC 108-10024		NAME C.P.C. CABLE CLAMP KIT SIZE 23
MATERIAL -		FINISH -		APPLICATION SPEC -
		WEIGHT -	SIZE A3	CAGE CODE 00779
		CUSTOMER DRAWING	DRAWING NO C=182652	SCALE 2:1
			SHEET 1	OF 1
			REV C	