

The Best lm/W in Full Color Products

Full Color LED - 3528 Series

STF0A36B (Full Color)



Product Brief

Description

- This surface-mount LED comes in standard package dimension (3.5mmx2.8mmx0.7mm). It has a substrate made up of a molded plastic reflector sitting on top of a bent lead frame. The die is attached within the reflector cavity and the cavity is encapsulated by silicone.
- The package design coupled with careful selection of component materials allow these products to perform with high reliability.

Features and Benefits

- Reflector type package
- Market standard 3528 package
- 3 chips in a package
- Low Thermal Resistance
- Red, Green, Blue color & White balance
- UL certification
- RoHS compliant

Key Applications

- Advertising light
- Electric appliance
- Other decoration lighting

Table 1. Product Selection Table

Part Number	Dominant wavelength [nm]			
	Color	Min.	Typ.	Max.
STF0A36B	Red	-	625	-
	Green	-	525	-
	Blue	-	457	-

Table of Contents

Index	
• Product Brief	1
• Table of Contents	2
• Performance Characteristics	3
• Characteristics Graph	5
• Reliability Test	8
• Color Bin Structure	9
• Mechanical Dimensions	11
• Material Structure	12
• Reflow Soldering Characteristics	13
• Emitter Tape & Reel Packaging	14
• Product Nomenclature	16
• Handling of Silicone Resin for LEDs	17
• Precaution For Use	18
• Company Information	21

Performance Characteristics

Table 2. Electro-Optical characteristics, Ta=25°C

Parameter	Color	Symbol	Condition	Value			Unit
				Min	Typ	Max	
Forward Voltage	Red	V_F	$I_F=20\text{ mA}$	-	2.0	2.4	V
	Green		$I_F=20\text{ mA}$	-	3.15	3.6	
	Blue		$I_F=20\text{ mA}$	-	3.15	3.5	
Reverse Current	Red	I_R	$V_R=5V$	-	-	10	μA
	Green			-	-	10	
	Blue			-	-	10	
Luminous Intensity	Red	I_V	$I_F=20\text{ mA}$	-	650	-	mcd
	Green		$I_F=20\text{ mA}$	-	1300	-	
	Blue		$I_F=20\text{ mA}$	-	250	-	
Dominant wavelength	Red	λ_d	$I_F=20\text{ mA}$	-	625	-	nm
	Green		$I_F=20\text{ mA}$	-	525	-	
	Blue		$I_F=20\text{ mA}$	-	457	-	
Spectral Bandwidth	Red	$\Delta\lambda$	$I_F=20\text{ mA}$	-	15	-	nm
	Green		$I_F=20\text{ mA}$	-	18	-	
	Blue		$I_F=20\text{ mA}$	-	18	-	
Viewing Angle	R,G,B	$2\theta_{1/2}$	$I_F=20\text{ mA}$ /chip	-	120	-	°
Thermal Resistance (J to S)	R,G,B	$R\theta_{J-S}$	$I_F=20\text{ mA}$ /chip	-	48	-	°C/W

Notes :

All products confirm to the listed minimum and maximum specifications for electric and optical characteristics, when operated at 20mA within the maximum ratings shown above. All measurements were made under the standardized environment of Seoul Semiconductor.

(Tolerance : $I_V \pm 10\%$, $\lambda_D \pm 2\text{ nm}$, $V_F \pm 0.1\text{ V}$)

Performance Characteristics

Table 3. Absolute maximum ratings

Parameter	Symbol	Value			Unit
		Red	Green	Blue	
Power Dissipation	P_d	72	102	102	mW
Forward Current	I_F	30	30	30	mA
Peak Forward Current	I_{FM}^{*1}	100	100	100	mA
Operation Temperature	$T_{opr.}$	-40 ~ 100			°C
Storage Temperature	$T_{stg.}$	-40 ~ 100			°C

Notes :

- (1) Care is to be taken that power dissipation does not exceed the absolute maximum rating of the product.
- (2) IFM was measured at $T_w \leq 0.1$ msec of pulse width and $D \leq 1/10$ of duty ratio.
- (3) LED's properties might be different from suggested values like above and below tables if operation condition will be exceeded our parameter range.

Characteristics Graph

Fig 1. Forward Current vs. Forward Voltage, Ta=25°C

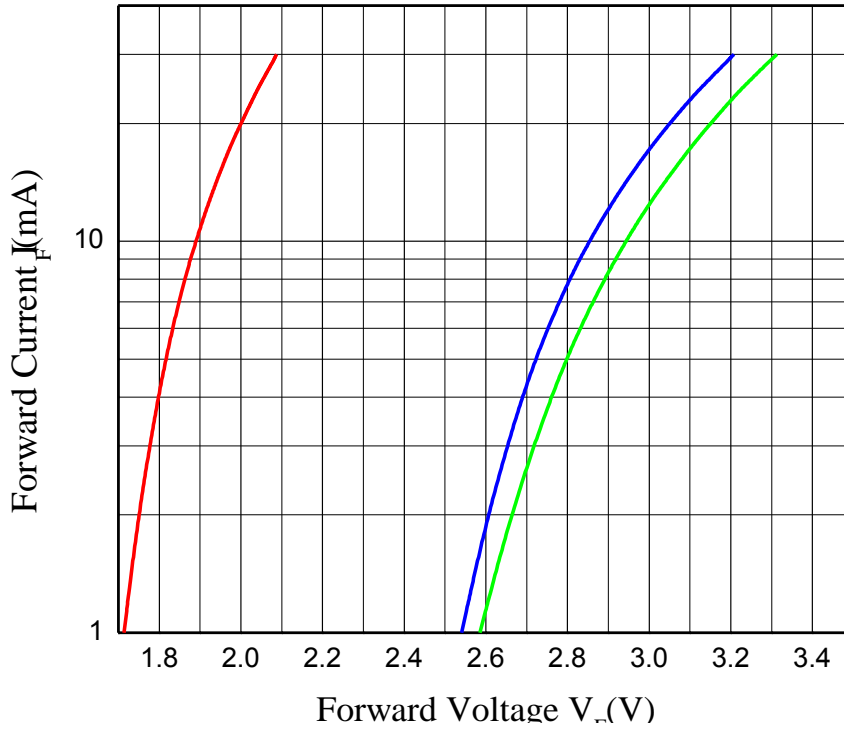
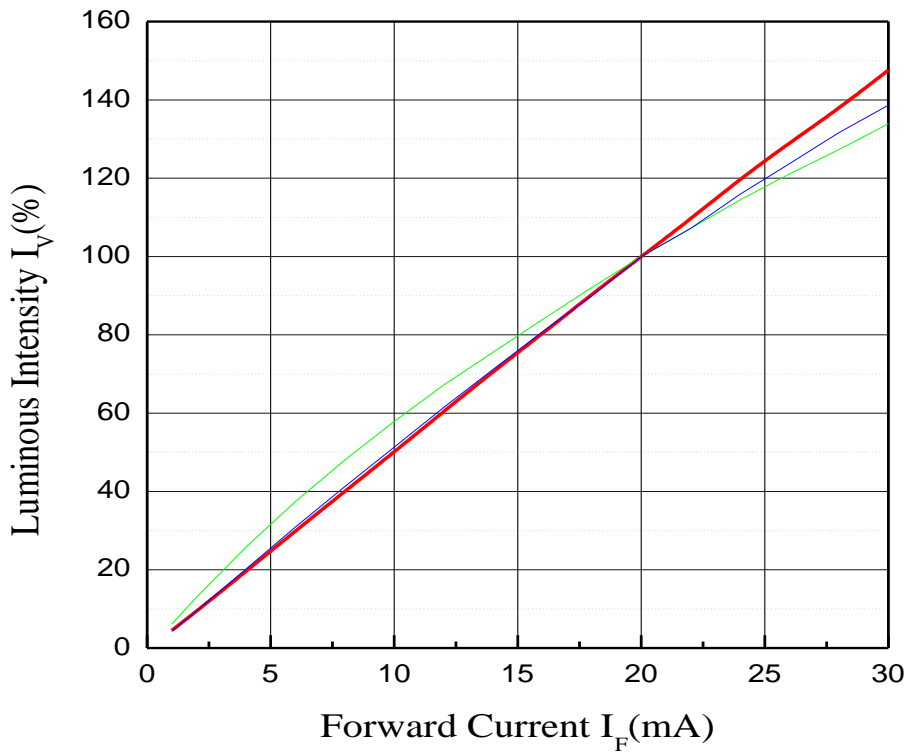
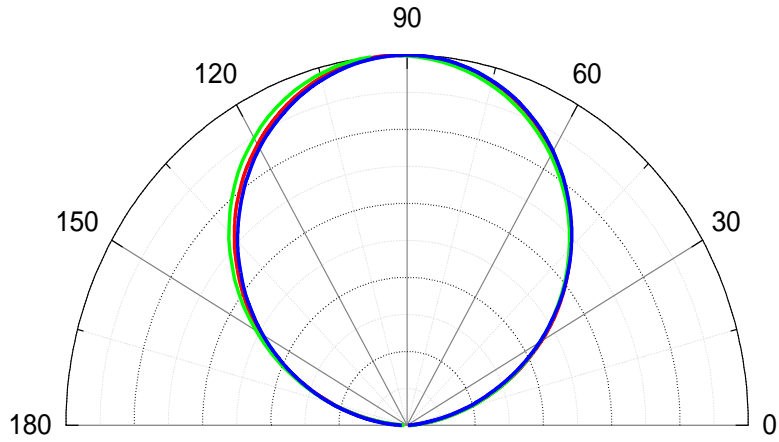
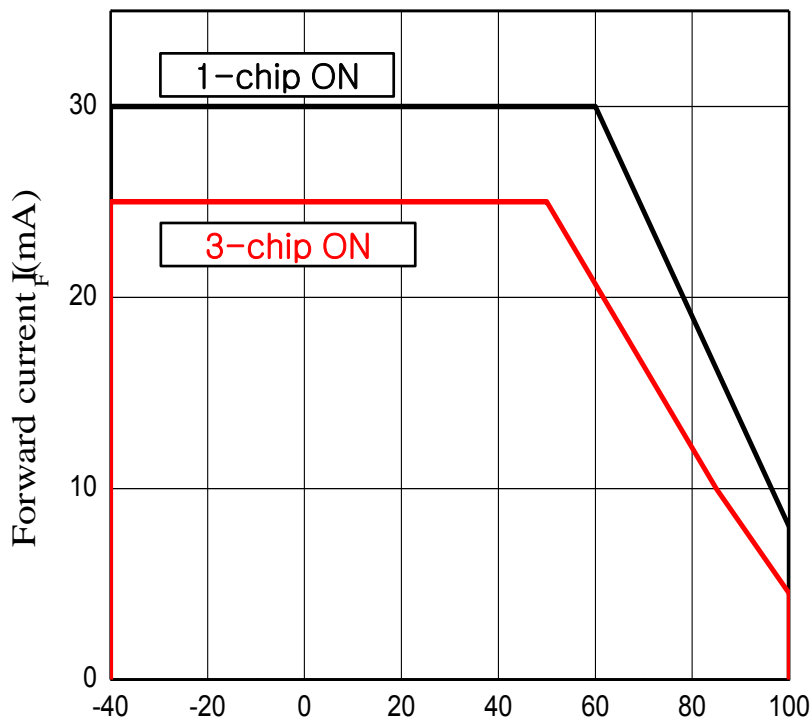


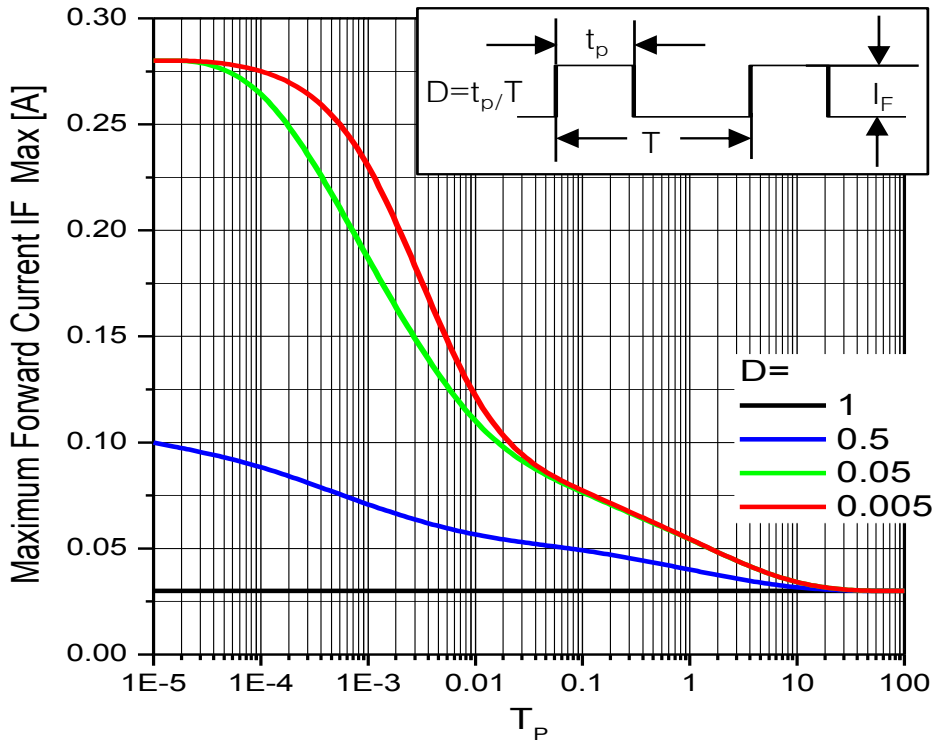
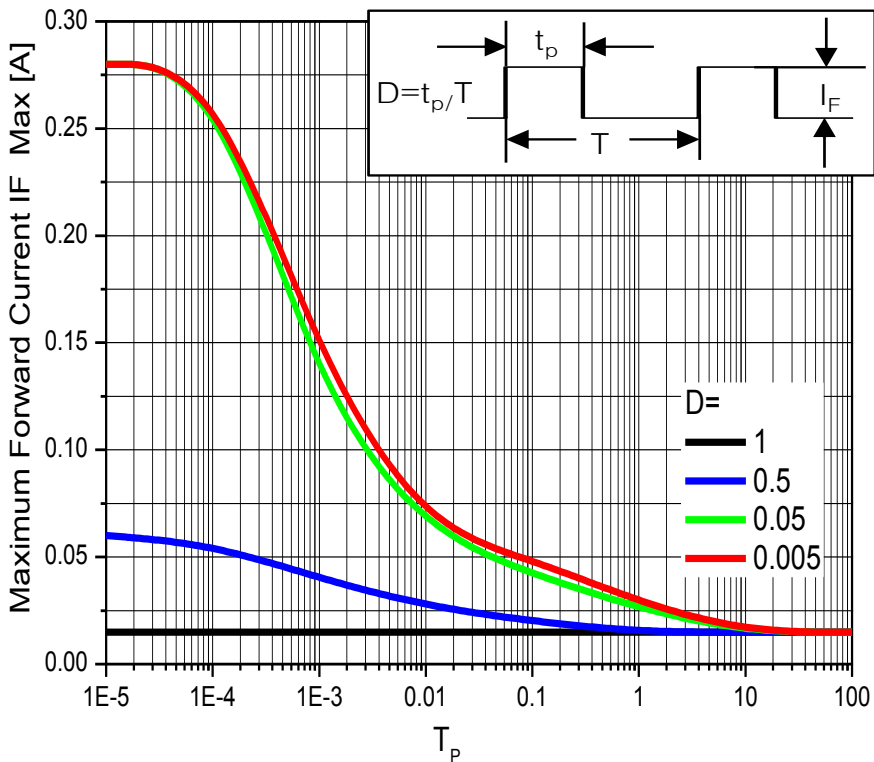
Fig 2. Relative Intensity vs. Forward Current, Ta=25°C



Characteristics Graph

Fig 3. Radiation Diagram

Fig 4. Forward Current vs. Derating Curve, Ta=25°C


Characteristics Graph

Fig 5. Forward Current vs. Duty Ratio, $T_a=25^\circ\text{C}$

Fig 6. Forward Current vs. Duty Ratio, $T_a=85^\circ\text{C}$


Reliability Test

Table 4. Reliability Test

Item	Reference	Test Condition	Duration /Cycle	Number of Damage
Thermal Shock	EIAJ ED-4701	$T_a = -40^{\circ}\text{C}$ (30MIN) ~ 100°C (30MIN)	100 Cycle	0/22
Temperature Cycle	EIAJ ED-4701	$T_a = -40^{\circ}\text{C}$ (30MIN) ~ 25°C (5MIN) ~ 100°C (30MIN) ~ 25°C (5MIN)	100 Cycle	0/22
High Temperature Storage	EIAJ ED-4701	$T_a = 100^{\circ}\text{C}$	1000 Hours	0/22
High Temperature High Humidity Storage	EIAJ ED-4701	$T_a = 85^{\circ}\text{C}$, RH=85%	1000 Hours	0/22
Low Temperature Storage	EIAJ ED-4701	$T_a = -40^{\circ}\text{C}$	1000 Hours	0/22
Operating Endurance Test	Internal Reference	$T_a = 25^{\circ}\text{C}$, $I_F = 20\text{mA}$	1000 Hours	0/22
High Temperature High Humidity Life Test	Internal Reference	$T_a = 85^{\circ}\text{C}$, RH=85%, $I_F = 15\text{mA}$	300 Hours	0/22
High Temperature Life Test	Internal Reference	$T_a = 85^{\circ}\text{C}$, $I_F = 20\text{mA}$	500 Hours	0/22
Low Temperature Life Test	Internal Reference	$T_a = -40^{\circ}\text{C}$, $I_F = 20\text{mA}$	1000 Hours	0/22
ESD(HBM)	MIL-STD-883D	1KV at 1.5k Ω ; 100pF	3 Time	0/22

Table 5. Criteria for Judging the Damage

Item	Symbol	Condition	Criteria for Judgement	
			MIN	MAX
Forward Voltage	V_F	$I_F = 20\text{mA}$	-	USL ^{*1} × 1.2
Luminous Intensity	I_V	$I_F = 20\text{mA}$	LSL ^{*2} × 0.5	-

Notes :

(1) *1 USL : Upper Standard Level

(2) *2 LSL : Lower Standard Level.

Color Bin Structure

Table 6. Bin Code Description

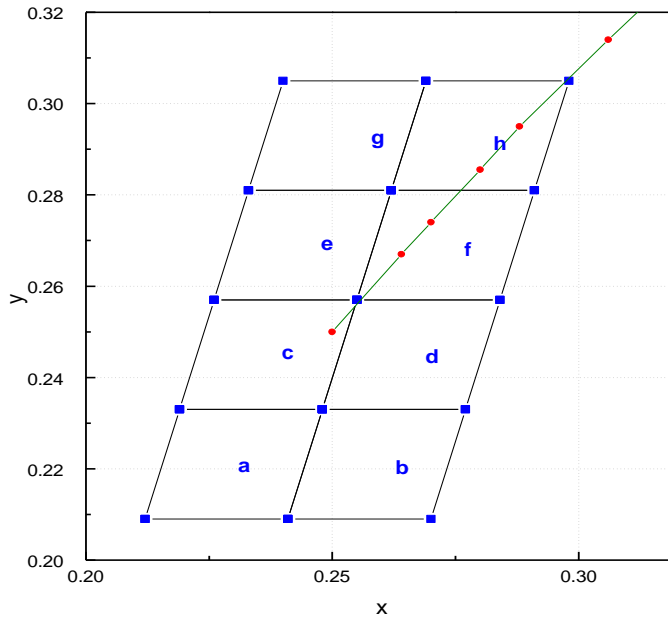
Part Number	Luminous Intensity (mcd)		
	Bin Code	Min.	Max.
STF0A36B	A	900	1,500
	B	1,500	2,000
	C	2,000	2,500
	D	2,500	3,000

Notes :

White Balance Intensity Rank (Red : 15mA / Green : 20mA / Blue : 12mA)

Color Bin Structure

White Color Coordinates Define

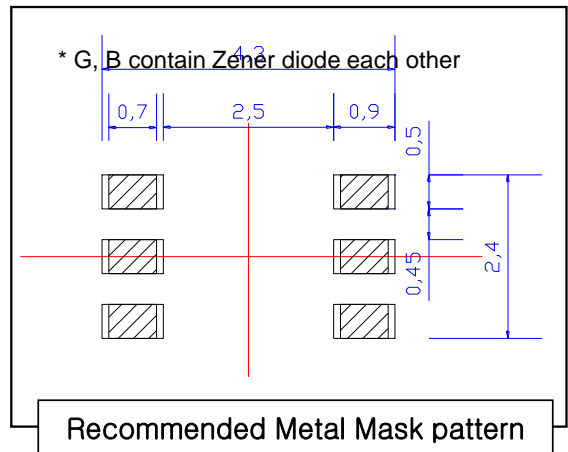
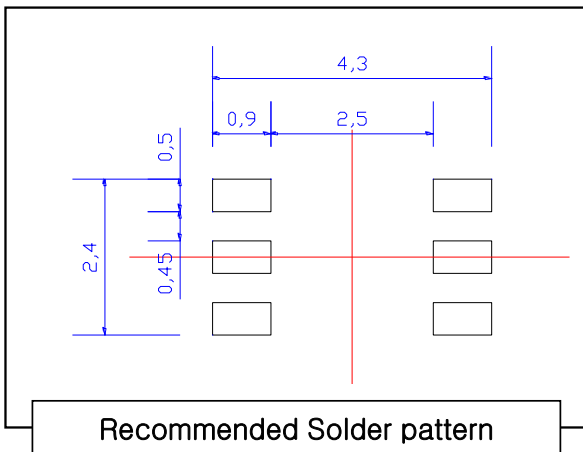
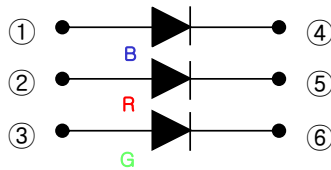
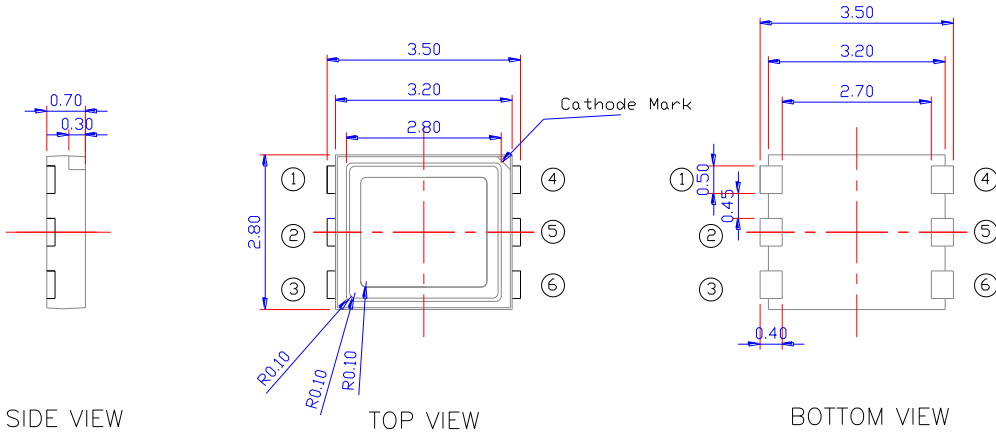


a		b		c		d	
CIE X	CIE Y	CIE X	CIE Y	CIE X	CIE Y	CIE X	CIE Y
0.212	0.209	0.241	0.209	0.219	0.233	0.248	0.233
0.241	0.209	0.270	0.209	0.248	0.233	0.277	0.283
0.248	0.233	0.277	0.233	0.255	0.257	0.284	0.257
0.219	0.233	0.248	0.233	0.226	0.257	0.255	0.257
e		f		g		h	
CIE X	CIE Y	CIE X	CIE Y	CIE X	CIE Y	CIE X	CIE Y
0.226	0.257	0.255	0.257	0.233	0.281	0.262	0.281
0.255	0.257	0.284	0.257	0.262	0.281	0.291	0.281
0.262	0.281	0.291	0.281	0.269	0.305	0.298	0.305
0.233	0.281	0.262	0.281	0.240	0.305	0.269	0.305

* Measurement Uncertainty of the Color Coordinates : ± 0.01

Mechanical Dimensions

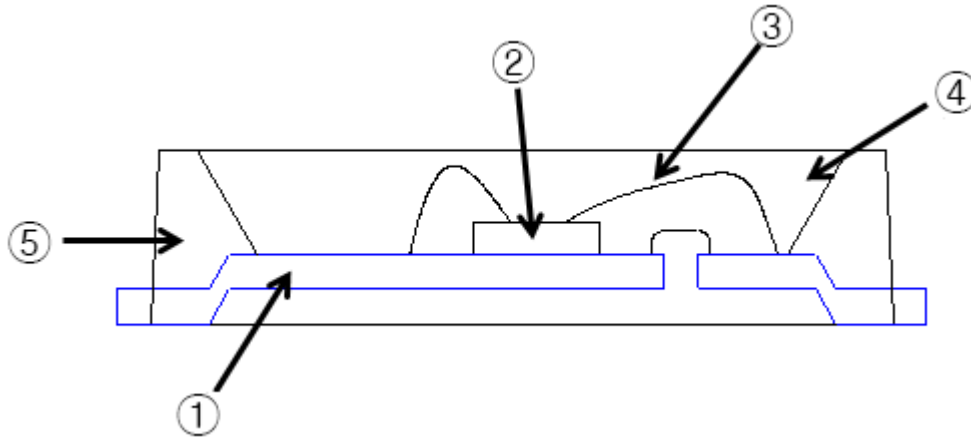
許容誤差: ±0.1, 單位: mm



Notes :

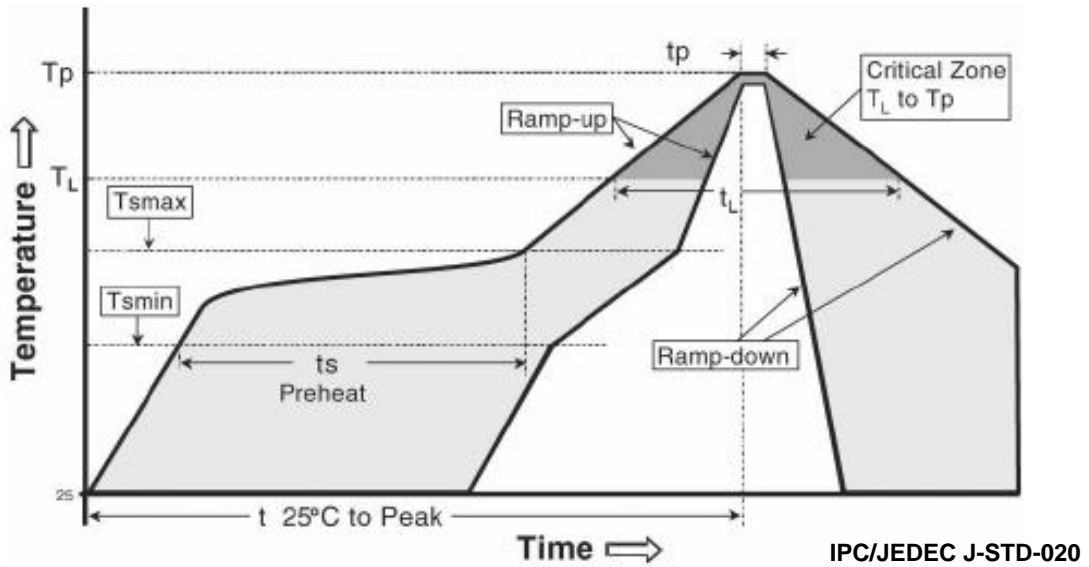
(1) Recommended Metal Mask Thickness : 0.12mm

Material Structure



Parts No.	Name	Description	Materials
①	Lead Frame	Metal	Ag Plating Copper Alloy
②	Chip Source	Red, Green, Blue LED	R : AlInGaP G, B : InGaN
③	Wire	Metal	Gold Wire
④	Encapsulation	Silicone	Silicon Resin + Diffuser
⑤	Body	Thermo Plastic	Heat-Resistant Polymer

Reflow Soldering Characteristics

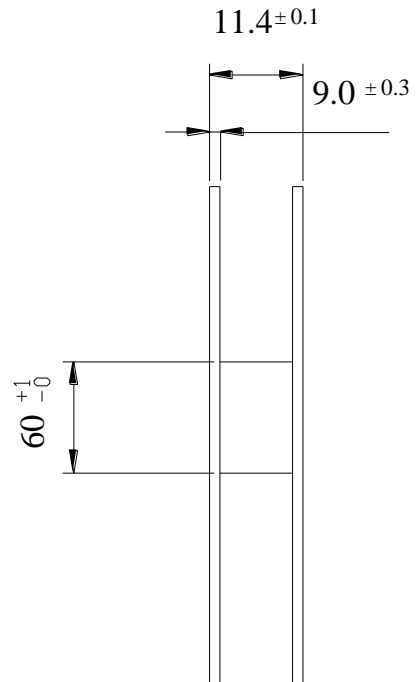
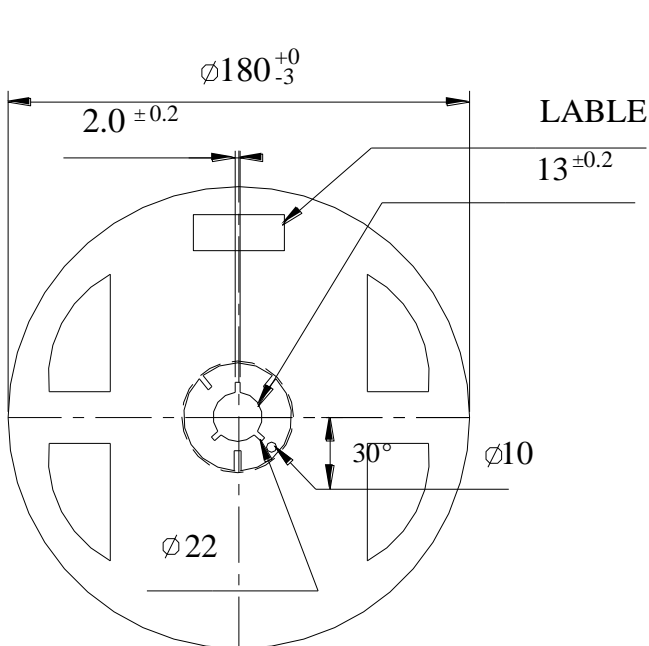
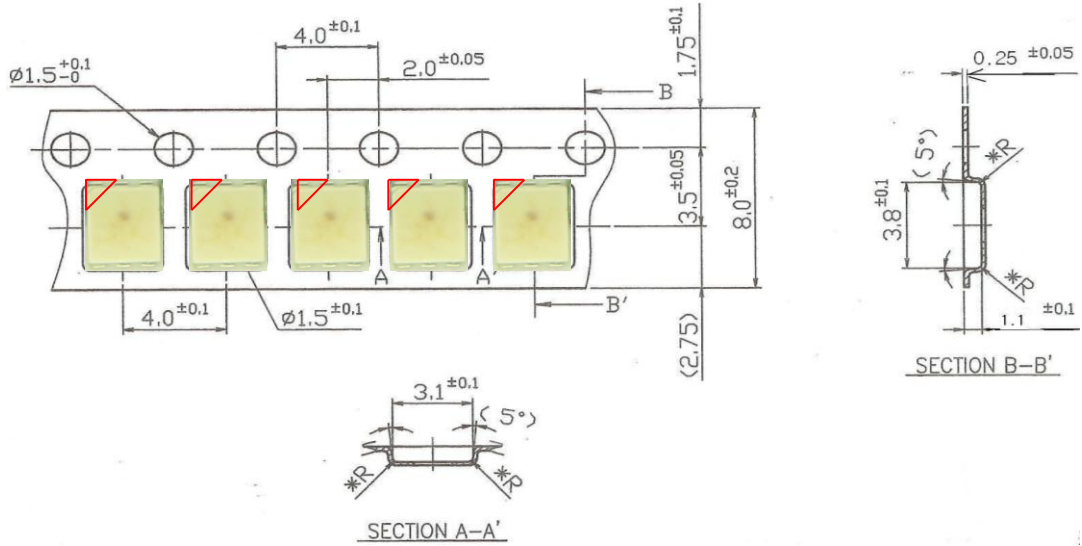


Profile Feature	Sn-Pb Eutectic Assembly	Pb-Free Assembly
Average ramp-up rate (T _{smax} to T _p)	3° C/second max.	3° C/second max.
Preheat - Temperature Min (T _{smin}) - Temperature Max (T _{smax}) - Time (T _{smin} to T _{smax}) (t _s)	100 °C 150 °C 60-120 seconds	150 °C 200 °C 60-180 seconds
Time maintained above: - Temperature (T _L) - Time (t _L)	183 °C 60-150 seconds	217 °C 60-150 seconds
Peak Temperature (T _p)	215 °C	260 °C
Time within 5°C of actual Peak Temperature (t _p) ²	10-30 seconds	20-40 seconds
Ramp-down Rate	6 °C/second max.	6 °C/second max.
Time 25°C to Peak Temperature	6 minutes max.	8 minutes max.

Caution

- (1) Reflow soldering is recommended not to be done more than two times. In the case of more than 24 hours passed soldering after first, LEDs will be damaged.
- (2) Repairs should not be done after the LEDs have been soldered. When repair is unavoidable, suitable tools must be used.
- (3) Die slug is to be soldered.
- (4) When soldering, do not put stress on the LEDs during heating.
- (5) After soldering, do not warp the circuit board.

Emitter Tape & Reel Packaging

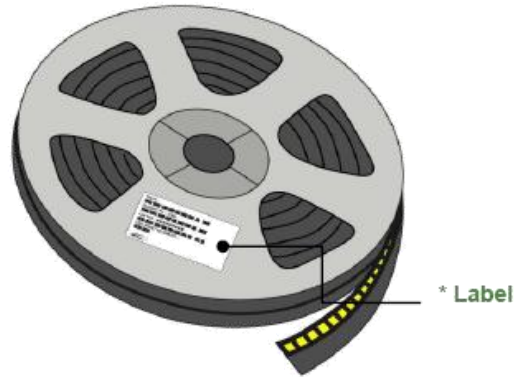


(Tolerance: ± 0.2 , Unit: mm)

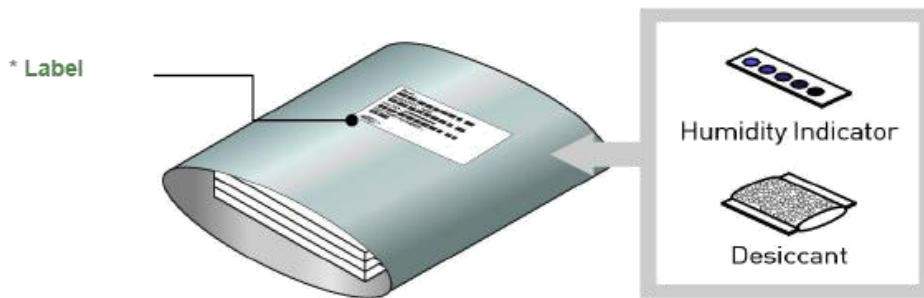
- (1) Quantity : 3,500pcs/Reel
- (2) Cumulative Tolerance : Cumulative Tolerance/10 pitches to be ± 0.2 mm
- (3) Adhesion Strength of Cover Tape : Adhesion strength to be 0.1-0.7N when the cover tape is turned off from the carrier tape at the angle of 10° to the carrier tape
- (4) Package : P/N, Manufacturing data Code No. and quantity to be indicated on a damp proof Package

Emitter Tape & Reel Packaging

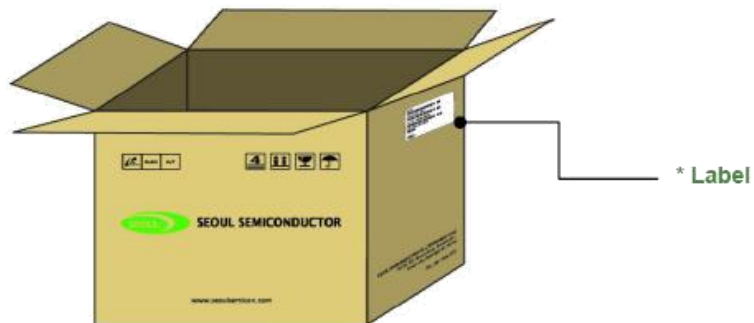
Reel



Aluminum Bag



Outer Box



Product Nomenclature

Table 7. Part Numbering System : X₁X₂X₃X₄X₅X₆X₇X₈

Part Number Code	Description	Part Number	Value
X ₁	Company	S	
X ₂	Top View LED series	T	
X ₃ X ₄	Color Specification	F0	Full Color
X ₅	Package series	A	A series
X ₆ X ₇	Characteristic code	36	
X ₈	Revision	B	

Table 8. Lot Numbering System : Y₁Y₂Y₃Y₄Y₅Y₆Y₇Y₈Y₉Y₁₀–Y₁₁Y₁₂Y₁₃Y₁₄Y₁₅Y₁₆Y₁₇

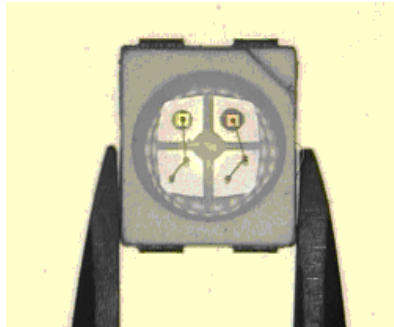
Lot Number Code	Description	Lot Number	Value
Y ₁ Y ₂	Year		
Y ₃	Month		
Y ₄ Y ₅	Day		
Y ₆	Top View LED series		
Y ₇ Y ₈ Y ₉ Y ₁₀	Mass order		
Y ₁₁ Y ₁₂ Y ₁₃ Y ₁₄ Y ₁₅ Y ₁₆ Y ₁₇	Internal Number		

Handling of Silicone Resin for LEDs

(1) During processing, mechanical stress on the surface should be minimized as much as possible. Sharp objects of all types should not be used to pierce the sealing compound.



(2) In general, LEDs should only be handled from the side. By the way, this also applies to LEDs without a silicone sealant, since the surface can also become scratched.



(3) When populating boards in SMT production, there are basically no restrictions regarding the form of the pick and place nozzle, except that mechanical pressure on the surface of the resin must be prevented. This is assured by choosing a pick and place nozzle which is larger than the LED's reflector area.

(4) Silicone differs from materials conventionally used for the manufacturing of LEDs. These conditions must be considered during the handling of such devices. Compared to standard encapsulants, silicone is generally softer, and the surface is more likely to attract dust.

As mentioned previously, the increased sensitivity to dust requires special care during processing. In cases where a minimal level of dirt and dust particles cannot be guaranteed, a suitable cleaning solution must be applied to the surface after the soldering of components.

(5) SSC suggests using isopropyl alcohol for cleaning. In case other solvents are used, it must be assured that these solvents do not dissolve the package or resin.

Ultrasonic cleaning is not recommended. Ultrasonic cleaning may cause damage to the LED.

(6) Please do not mold this product into another resin (epoxy, urethane, etc) and do not handle this product with acid or sulfur material in sealed space.

Precaution for Use

(1) Storage

To avoid the moisture penetration, we recommend store in a dry box with a desiccant.

The recommended storage temperature range is 5 °C to 30 °C and a maximum humidity of RH50%.

(2) Use Precaution after Opening the Packaging

Use proper SMT techniques when the LED is to be soldered dipped as separation of the lens may affect the light output efficiency.

Pay attention to the following:

a. Recommend conditions after opening the package

- Sealing

- Temperature : 5 ~ 40 °C Humidity : less than RH30%

b. If the package has been opened more than 4 week(MSL_2a) or the color of the desiccant changes, components should be dried for 10-12hr at 60±5 °C

(3) Do not apply mechanical force or excess vibration during the cooling process to normal temperature after soldering.

(4) Do not rapidly cool device after soldering.

(5) Components should not be mounted on warped (non coplanar) portion of PCB.

(6) Radioactive exposure is not considered for the products listed here in.

(7) Gallium arsenide is used in some of the products listed in this publication.

These products are dangerous if they are burned or shredded in the process of disposal.

It is also dangerous to drink the liquid or inhale the gas generated by such products when chemically disposed of.

(8) This device should not be used in any type of fluid such as water, oil, organic solvent and etc.

When washing is required, IPA (Isopropyl Alcohol) should be used.

(9) When the LEDs are in operation the maximum current should be decided after measuring the package temperature.

(10) LEDs must be stored properly to maintain the device. If the LEDs are stored for 3 months or more after being shipped from SSC, a sealed container with a nitrogen atmosphere should be used for storage.

Precaution for Use

- (11) The appearance and specifications of the product may be modified for improvement without notice.
- (12) Long time exposure of sunlight or occasional UV exposure will cause lens discoloration.
- (13) VOCs (Volatile organic compounds) emitted from materials used in the construction of fixtures can penetrate silicone encapsulants of LEDs and discolor when exposed to heat and photonic energy. The result can be a significant loss of light output from the fixture. Knowledge of the properties of the materials selected to be used in the construction of fixtures can help prevent these issues.
- (14) Attaching LEDs, do not use adhesives that outgas organic vapor.
- (15) The driving circuit must be designed to allow forward voltage only when it is ON or OFF.
If the reverse voltage is applied to LED, migration can be generated resulting in LED damage.
- (16) Similar to most Solid state devices;
LEDs are sensitive to Electro-Static Discharge (ESD) and Electrical Over Stress (EOS).
Below is a list of suggestions that Seoul Semiconductor purposes to minimize these effects.

a. ESD (Electro Static Discharge)

Electrostatic discharge (ESD) is defined as the release of static electricity when two objects come into contact. While most ESD events are considered harmless, it can be an expensive problem in many industrial environments during production and storage. The damage from ESD to LEDs may cause the product to demonstrate unusual characteristics such as:

- Increase in reverse leakage current lowered turn-on voltage
- Abnormal emissions from the LED at low current

The following recommendations are suggested to help minimize the potential for an ESD event. One or more recommended work area suggestions:

- Ionizing fan setup
- ESD table/shelf mat made of conductive materials
- ESD safe storage containers

One or more personnel suggestion options:

- Antistatic wrist-strap
- Antistatic material shoes
- Antistatic clothes

Environmental controls:

- Humidity control (ESD gets worse in a dry environment)

Precaution for Use

b. EOS (Electrical Over Stress)

Electrical Over-Stress (EOS) is defined as damage that may occur when an electronic device is subjected to a current or voltage that is beyond the maximum specification limits of the device.

The effects from an EOS event can be noticed through product performance like:

- Changes to the performance of the LED package
(If the damage is around the bond pad area and since the package is completely encapsulated the package may turn on but flicker show severe performance degradation.)
- Changes to the light output of the luminaire from component failure
- Components on the board not operating at determined drive power

Failure of performance from entire fixture due to changes in circuit voltage and current across total circuit causing trickle down failures. It is impossible to predict the failure mode of every LED exposed to electrical overstress as the failure modes have been investigated to vary, but there are some common signs that will indicate an EOS event has occurred:

- Damaged may be noticed to the bond wires (appearing similar to a blown fuse)
- Damage to the bond pads located on the emission surface of the LED package
(shadowing can be noticed around the bond pads while viewing through a microscope)
- Anomalies noticed in the encapsulation and phosphor around the bond wires
- This damage usually appears due to the thermal stress produced during the EOS event

c. To help minimize the damage from an EOS event Seoul Semiconductor recommends utilizing:

- A surge protection circuit
- An appropriately rated over voltage protection device
- A current limiting device



Company Information

Published by

Seoul Semiconductor © 2013 All Rights Reserved.

Company Information

Seoul Semiconductor (www.SeoulSemicon.com) manufactures and packages a wide selection of light emitting diodes (LEDs) for the automotive, general illumination/lighting, Home appliance, signage and back lighting markets. The company is the world's fifth largest LED supplier, holding more than 10,000 patents globally, while offering a wide range of LED technology and production capacity in areas such as "nPola", "Acrich", the world's first commercially produced AC LED, and "Acrich MJT - Multi-Junction Technology" a proprietary family of high-voltage LEDs.

The company's broad product portfolio includes a wide array of package and device choices such as Acrich and Acirch2, high-brightness LEDs, mid-power LEDs, side-view LEDs, and through-hole type LEDs as well as custom modules, displays, and sensors.

Legal Disclaimer

Information in this document is provided in connection with Seoul Semiconductor products. With respect to any examples or hints given herein, any typical values stated herein and/or any information regarding the application of the device, Seoul Semiconductor hereby disclaims any and all warranties and liabilities of any kind, including without limitation, warranties of non-infringement of intellectual property rights of any third party. The appearance and specifications of the product can be changed to improve the quality and/or performance without notice.