

CERAMIC SURFACE MOUNT LOW PROFILE QUARTZ CRYSTALS

ABMM2



6.0 x 3.6 x 1.2 mm

ABMM2

RoHS/RoHS II Compliant

FEATURES:

- Suitable for RoHS compliant reflow
- Low height 1.2 mm max
- Seam sealed ceramic package assures high reliability
- Available tight tolerance and stability

APPLICATIONS:

- Computers, Modems, Microprocessors
- Communication, Test equipment
- PCMCIA

STANDARD SPECIFICATIONS:

Parameters		Minimum	Typical	Maximum	Units	Notes
Frequency Range		7.3728		100.00	MHz	
Operation Mode	7.3728 – 30.00MHz	Fundamental				Standard
	30.01 – 100.00MHz	3 rd Overtone				Standard
	30.01 – 50.00MHz	Fundamental				See options
Operating Temperature		-10		+60	°C	See options
Storage Temperature		-40		+85	°C	
Frequency Tolerance @+25°C		-20		+20	ppm	See options
Frequency Stability over the Operating Temperature (ref. to +25°C)		-20		+20	ppm	See options
Equivalent series resistance (R1)		See table 1 below			Ω	
Shunt capacitance (C0)				7.0	pF	
Load capacitance (CL)			18.0		pF	Standard (See options if other than STD)
Drive Level			100	500	μW	
Aging		-2		+2	ppm	@25°C±3°C First year
Insulation Resistance		500			MΩ	@ 100Vdc ± 15V

TABLE 1- Standard ESR

Frequency (MHz)	ESR(Ω) max
7.3728 -7.999 (Fund)	140
8.000 -10.000 (Fund)	72
10.001 -20.000 (Fund)	50
20.001 – 50.000 (Fund)	40
30.001 – 47.999 (3 rd OT)	60
48.000 – 100.000 (3 rd OT)	80

CERAMIC SURFACE MOUNT LOW PROFILE QUARTZ CRYSTALS

ABMM2



6.0 x 3.6 x 1.2 mm

ABMM2

RoHS/RoHS II Compliant

OPTIONS & PART IDENTIFICATION:

(Left blank if standard)

ABMM2 - MHz - - - - - -

Frequency in MHz
Please specify the frequency in MHz.
e.g. 16.000MHz

Packaging
Blank: Bulk
T: 1000pcs / reel
T2: 250pcs / reel

Load Capacitance (pF)
Please specify CL in pF (8 to 33pF) or S for series
Please contact Abracon for other values

Oscillation Mode
Blank: Standard
F; fund. AT for F>30MHz

Custom ESR if other than standard
R
□: Specify a value in Ω (e.g.: R40)

Freq. Tolerance
1: ± 10 ppm
7: ± 15 ppm

Operating Temp.	Frequency Stability (ppm)				
	±10	±20	±30	±50	±100
0°C ~ +50° C	A3	A4	A6	-----	-----
-10°C ~ +50°C	B3	B4	B6	-----	-----
-10°C ~ +60°C	C1	Std	C6	-----	-----
-20°C ~ +70°C	E1	E2	E6	-----	-----
-40°C ~ +85°C	-----	D1	D6	D5	-----
-40°C ~ +1 05°C	-----	-----	-----	J5	J10
-40°C ~ +1 25°C	-----	-----	-----	K5	K10

CERAMIC SURFACE MOUNT LOW PROFILE QUARTZ CRYSTALS

ABMM2

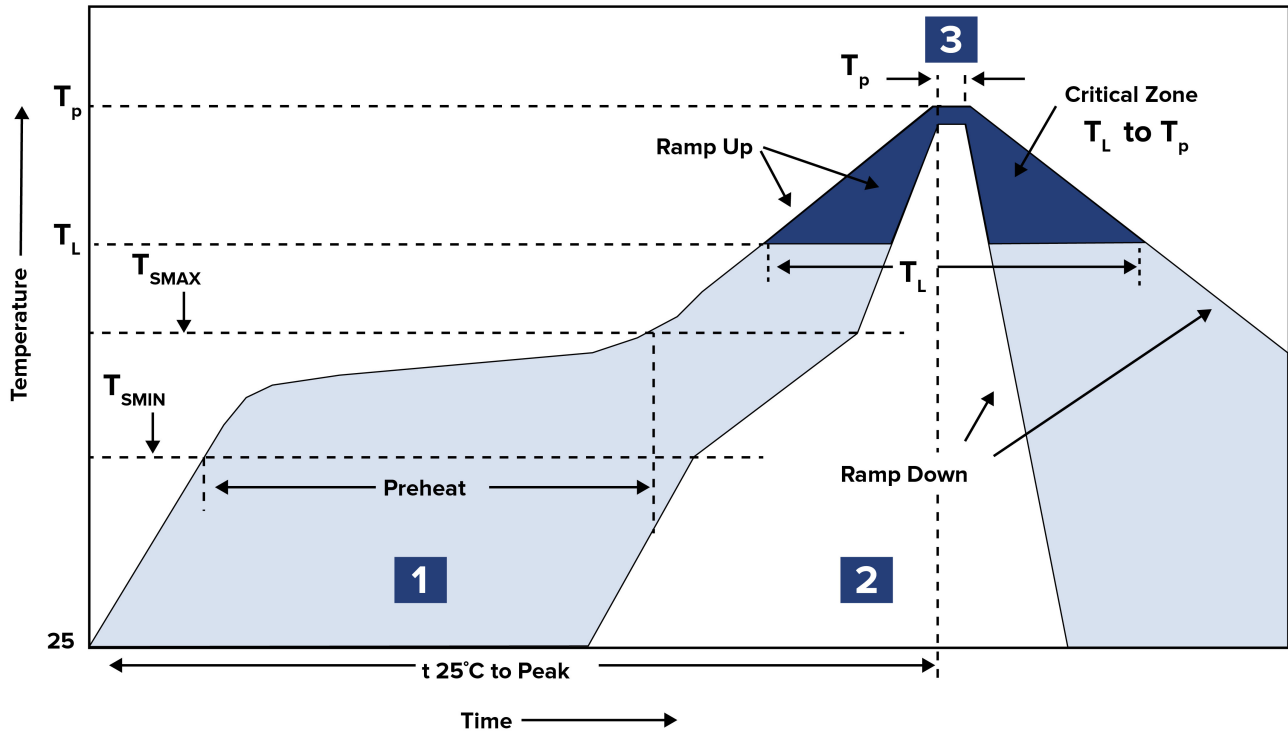


6.0 x 3.6 x 1.2 mm

ABMM2

 RoHS/RoHS II Compliant

REFLOW PROFILE



Zone	Description	Temperature	Time
1	Preheat / Soak	$T_{SMIN} \sim T_{SMAX}$ 150°C ~ 180°C	60 ~ 120 sec.
2	Reflow	T_L 230°C	30 ~ 40 sec.
3	Peak heat	T_P 260°C±5°C	10 sec. MAX

CERAMIC SURFACE MOUNT LOW PROFILE QUARTZ CRYSTALS

ABMM2

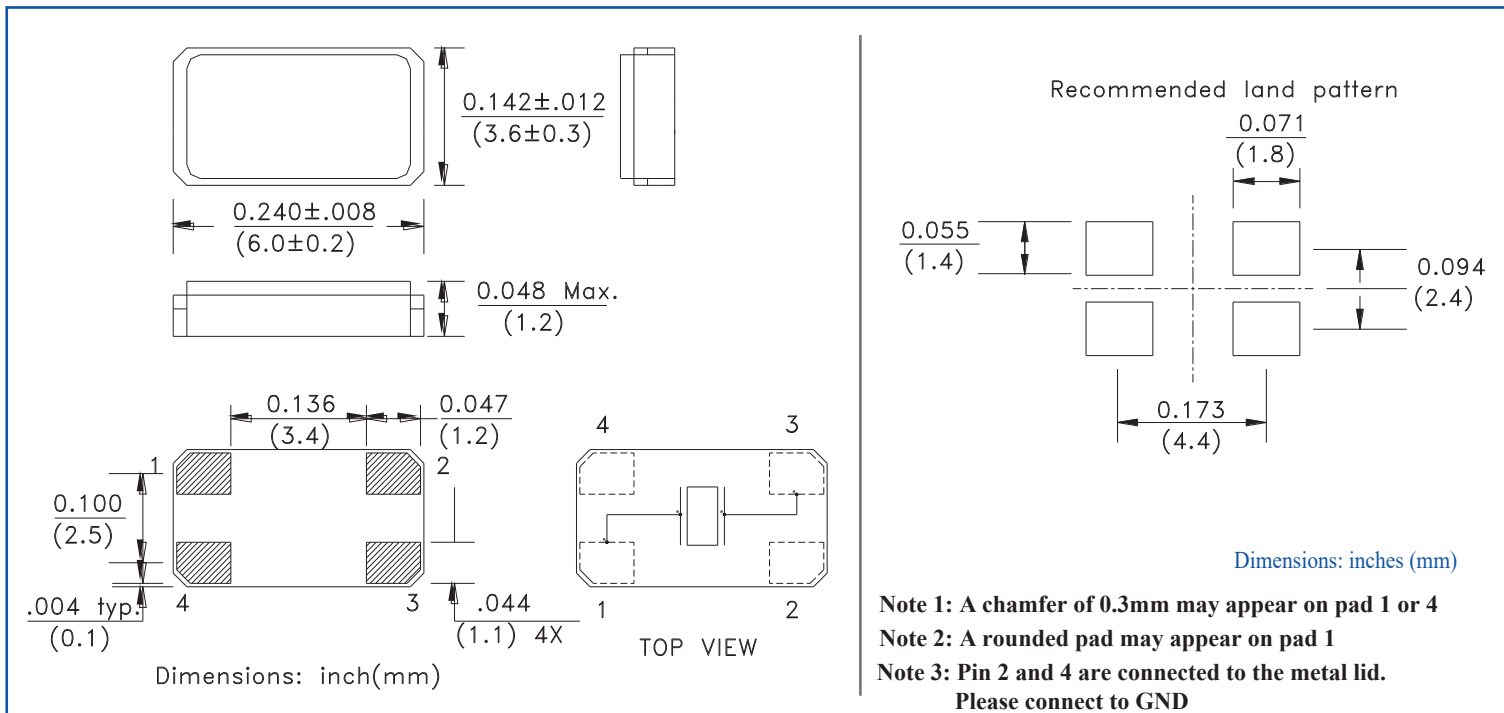


6.0 x 3.6 x 1.2 mm

ABMM2

 RoHS/RoHS II Compliant

OUTLINE DRAWING:



CERAMIC SURFACE MOUNT LOW PROFILE QUARTZ CRYSTALS

ABMM2



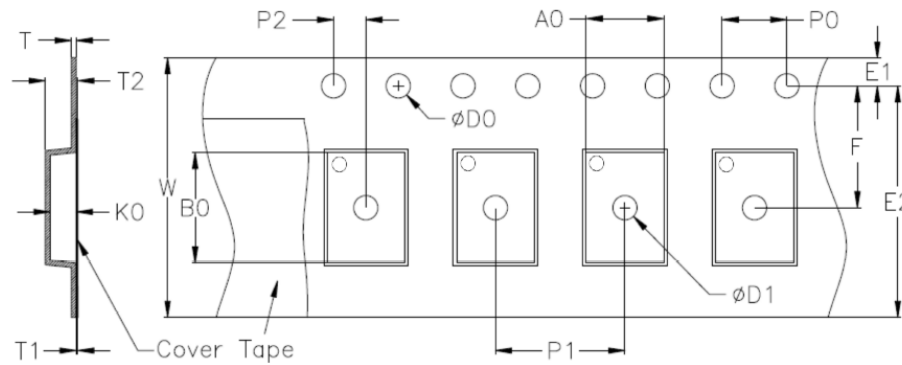
ABMM2

RoHS/RoHS II Compliant

6.0 x 3.6 x 1.2 mm

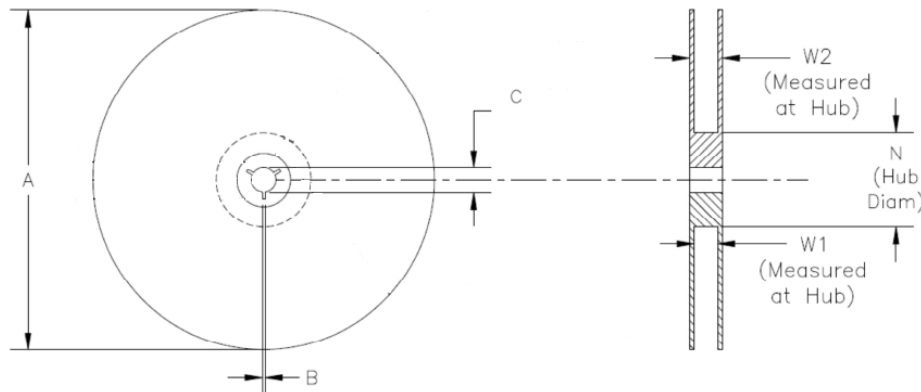
TAPE & REEL:

T: Tape and reel (1,000pcs/reel)
T2: Tape and reel (250pcs/reel)



Tape Size	W max.	D0	D1 min.	E1	F	P0	P1	P2
16mm	16.0±0.3	1.5	1.5	1.75±0.1	7.5±0.1	4.0±0.1	8.0±0.1	2.0±0.1
12mm	12.0±0.2				5.5±0.05			

Tape Size	T	T2 max.	B0	K0
16mm	0.3±0.05	1.5±0.1	6.4±0.1	1.5±0.1
12mm		1.8±0.1		1.8±0.1



Tape Size	A max.	B min.	C	N	W1	W2 max.
16mm	178±1	2.5±0.5	13.2±0.5	80.0	17.5±0.2	21.0±2.0
12mm				60.2±0.5		

Dimensions: mm

ATTENTION: Abracon LLC products are COTS – Commercial-Off-The-Shelf products; suitable for Commercial, Industrial and, where designated, Automotive Applications. Abracon's products are not specifically designed for Military, Aviation, Aerospace, Life-dependant Medical applications or any application requiring high reliability where component failure could result in loss of life and/or property. For applications requiring high reliability and/or presenting an extreme operating environment, written consent and authorization from Abracon LLC is required. Please contact Abracon LLC for more information.