

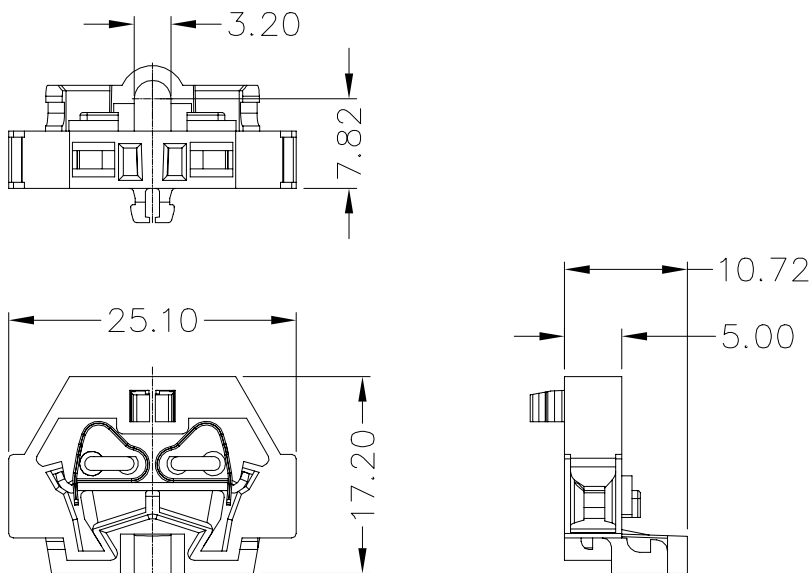


# 宁波速普电子有限公司

NINGBO SUPU ELECTRONICS.CO.,LTD

## 产品规格书

### Product Specification



IEC 额定数据/IEC Rated data	
接线范围/Wire range	0.2-1.5mm <sup>2</sup>
单股导线/Solid	0.2-1.5mm <sup>2</sup>
软导线/Stranded	0.2-1.5mm <sup>2</sup>
带端头软导线/Stranded with ferrules without plastic sleeve	0.2-1.0mm <sup>2</sup>
带预绝缘端头软导线/Stranded with ferrules with plastic sleeve	0.2-1.0mm <sup>2</sup>
剥线长度/Strip length	8-9mm
额定电压/Rated voltage	400V
额定电流/Rated current	18A
额定脉冲耐受电压/Rated surge voltage	6KV
污染等级/Pollution degree	3
过电压类别/Surge voltage category	III
其他信息/Other information	
塑件/Housing	PA66
触点材料/Contact	铜合金/Copper alloy
镀层/Coating	锡/Tin Plated
阻燃等级/Flame retardant rating	UL94-V0
使用环境温度/Usage ambient temperture	-25℃ - +70℃
储存及运输环境温度/Strrage ambient temperature	-40℃ - +85℃
<b>认证/Approval</b>	

### 订货信息 Order Info

订货号 PART NUMBER	颜色 COLOR
240301	灰色 Gray
240302	橙色 Orange
240303	白灰色 Light Gray
240304	蓝色 Blue
240305	黄色 Yellow
240306	绿色 Green
240309	粉红色 Pink
240307	黄绿色 Green-yellow

### 未注尺寸公差:

Pitch Range In mm			Nominal Dimension Range In mm					-	∩	□
TO 6	Over 6 TO 10	Over 10 TO 24	TO 30	Over 30 TO 60	Over 60 TO 100	Over 100 TO 150	0.05/10			
±0.075	±0.15	±0.20	±0.20	±0.35	±0.50	±0.75	±1.00	±1*		

	Rev. 01	Name 24030X系列带固定器侧面接线端子 24030X series through terminal blocks with fixing flanges of side-entry
单位/Unit mm		