

SOLDER SUFFIX	CUSTOMER TERMINAL	RoHS	LEAD(Pb)-FREE
LF3	Sn100%	Yes	Yes

ELECTRICAL SPECIFICATIONS @ 25°C unless otherwise noted:

INDUCTANCE: 350uH min., 100kHz, 100mV, 8mADC, J1-J2; J3-J6, Lp.

DIELECTRIC RATING: 1500Vrms for 1 minute between P1-J1(tie P1+P3).

TURNS RATIO/POLARITY: (P1-P2):(J1-J2) = 1:1, ±2%.
(P3-P6):(J3-J6) = 1:1, ±2%.

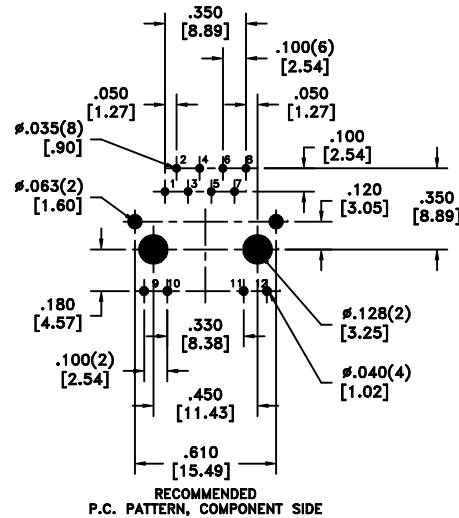
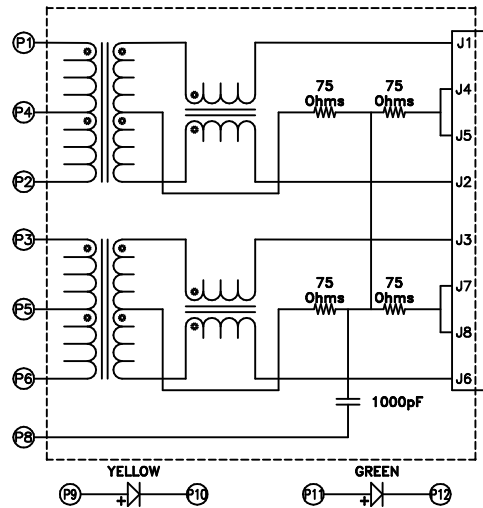
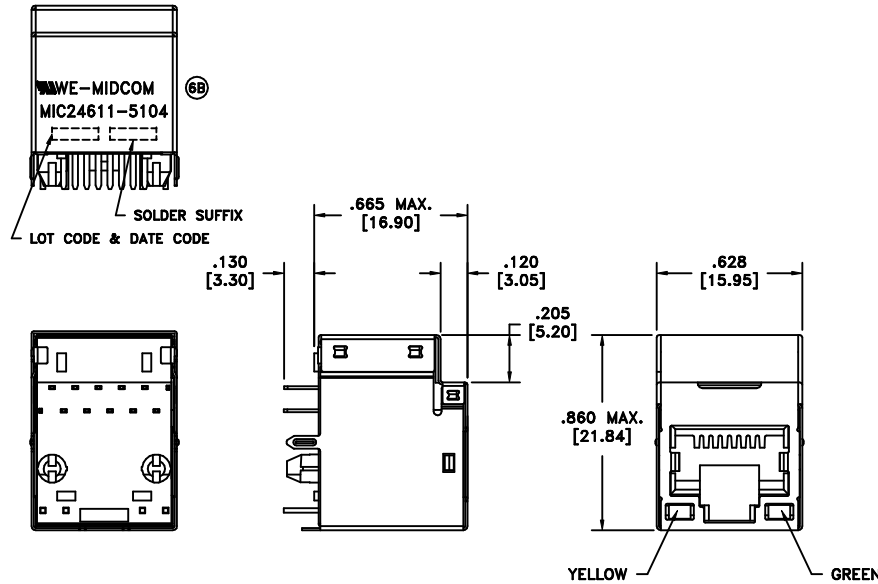
INSERTION LOSS: -1.0dB typ., 1MHz - 65MHz.

RETURN LOSS: -18dB min., 1M - 30MHz.
-16dB min., 30M - 45MHz.
-14dB min., 45M - 60MHz.
-12dB min., 60M - 80MHz.

CROSSTALK: -35dB min., 1MHz - 100MHz.

COMMON MODE REJECTION: -35dB min., 1MHz - 100MHz.

OPERATING TEMPERATURE RANGE: 0°C to +70°C.



AGENCY NUMBER	
UL60950-1	E205930

Unless otherwise specified:
Tolerances: Fractions: ±1/64
Angles: ±1° Decimals: ±.010[.25]

This drawing is dual dimensioned. Dimensions in brackets are in millimeters.

DRAWING TITLE
TRANSFORMER
10/100Mbs

Midcom 
www.midcom-inc.com

DRAWING NO.
MIC24611-5104T-LF3

REVISIONS: SEE SHEET 1

SCALE --- SHEET 2 OF 6

REV. 6B 11/06