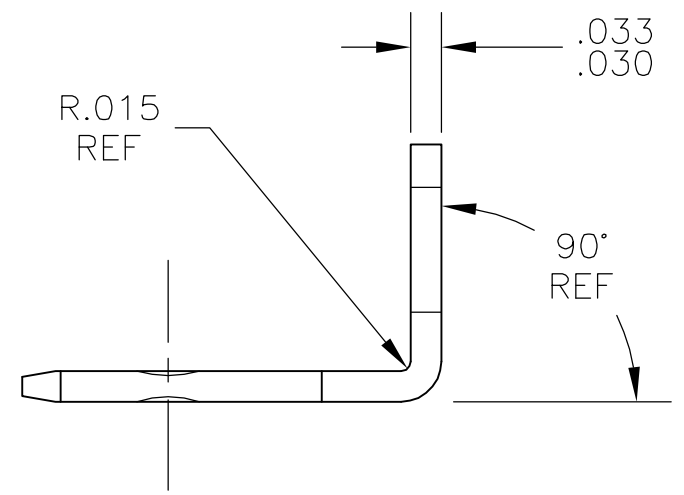
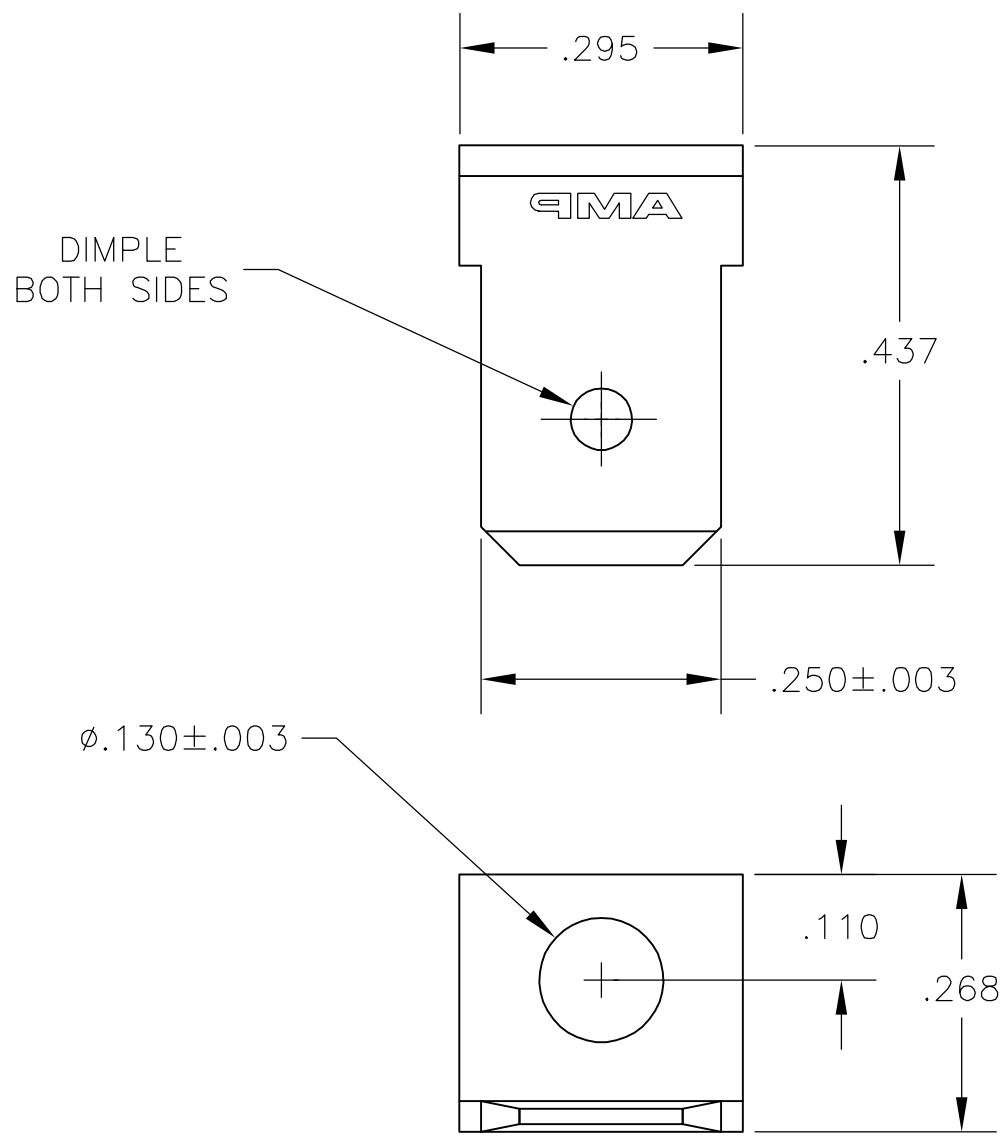


THIS DRAWING IS UNPUBLISHED. RELEASED FOR PUBLICATION
 © COPYRIGHT BY TYCO ELECTRONICS CORPORATION. ALL RIGHTS RESERVED.

LOC	DIST	REVISIONS			
P	LTR	DESCRIPTION	DATE	DWN	APVD
AF	50	F	REV PER ECR-05-017287	06APR06	HMR JR



TIN	42117-2
NONE	42117-1
FINISH	PART NO

obsolete

THIS DRAWING IS A CONTROLLED DOCUMENT.		DWN jr_ruth 26JUL04	Tyco Electronics Corporation Harrisburg, PA 17105-3608	
DIMENSIONS: INCHES		CHK KRISTY YI 26JUL04		
TOLERANCES UNLESS OTHERWISE SPECIFIED:		APVD KRISTY YI 26JUL04	NAME TAB, FASTON, .250 SERIES	
0 PLC ± - 1 PLC ± - 2 PLC ± - 3 PLC ± .015 4 PLC ± - ANGLES ± -		PRODUCT SPEC -	RESTRICTED TO -	
MATERIAL 082 BRASS		FINISH SEE TABLE	APPLICATION SPEC -	SIZE A3
		WEIGHT -	CAGE CODE 00779	DRAWING NO C-42117
CUSTOMER DRAWING			SCALE 5:1	SHEET 1 OF 1
			REV F	