


Features :

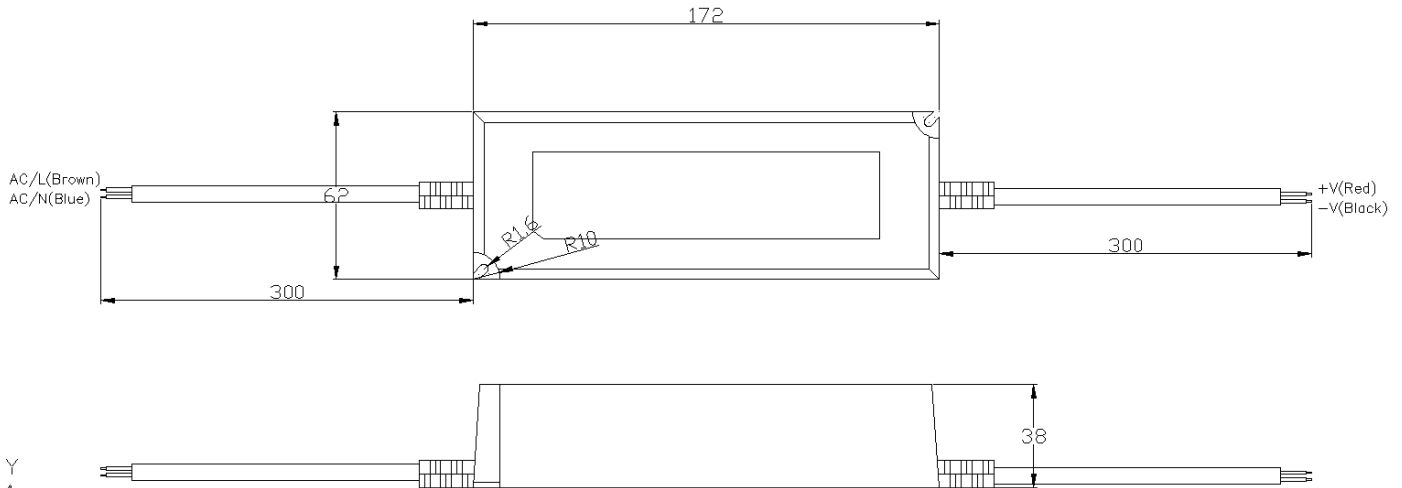
- Universal AC input/Full range (up to 277VAC)
- Protections: Short circuit / Over current / Over voltage / Over temperature
- IP67 design
- Cooling by free air convection
- High efficiency up to 87%
- Suitable for LED lighting
- Compliance to worldwide safety regulations for lighting
- Damp / wet location outdoor application

SPECIFICATION:

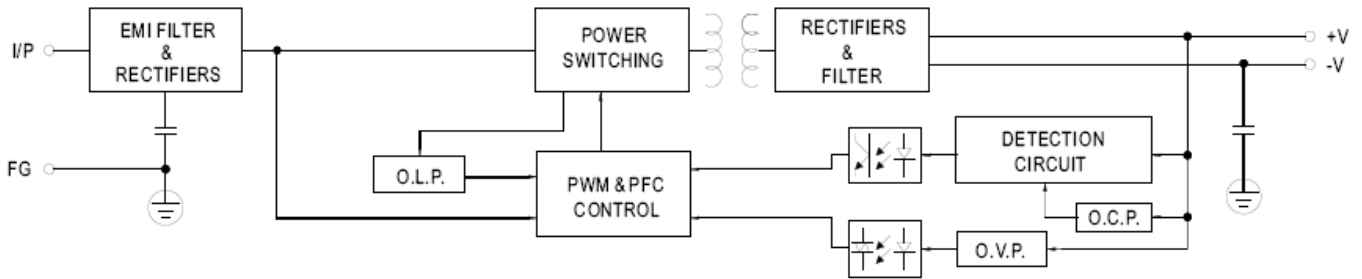
MODEL		IS 90AP-700M	IS 90AP-1050M	IS 90AP-1400M	IS 90AP-1750M
OUTPUT	DC VOLTAGE	64-128V	43-85V	32-64V	26-51V
	RATED CURRENT	700mA	1050mA	1400mA	1750mA
	RATED POWER	90W	90W	90W	90W
	RIPPLE & NOISE (max.)	1Vp-p	500mA	200mA	200mA
	LINE REGULATION	± 1.0%			
	LOAD REGULATION	± 2.0%			
	SETUP,RISE TIME	1300ms, 80ms / 230VAC; 2500ms, 80ms / 115VAC at full load			
	HOLD UP TIME (Typ.)	40ms 230VAC / 115VAC at full load			
INPUT	VOLTAGE RANGE	100 ~ 240VAC			
	FREQUENCY RANGE	47~63Hz			
	EFFICIENCY(Typ.)	89%	88%	88%	87%
	AC CURRENT(at full load)	700mA / 115VAC		300mA / 240VAC	
	INRUSH CURRENT (max.)	COLD START 30A/230VAC			
	LEAKAGE CURRENT	<1mA / 277VAC			
PROTECT ON	OVER CURRENT	95 ~ 110%			
	SHORT CIRCUIT	Protection type : Hiccup mode, recovers automatically after fault condition is removed			
	OVER VOLTAGE	140-150V	100-110V	70-75V	58-65V
		Protection type : Shut down o/p voltage, re-power on to recover			
	OVER TEMPERATURE	110°C			
	Protection type : Shut down o/p voltage, re-power on to recover after temperature goes down				
ENVIRONMENT	WORKING TEMP.	-30 ~ +50 @ full load ; +70@ 60% load			
	WORKING HUMIDITY	20~95% RH non-condensing			
	STORAGE TEMP., HUMIDITY	-40~80°C, 10~95% RH			
	TEMP.COEFFICIENT	±0.03%/°C (0~50°C)			
	VIBRATION	10 ~ 500Hz, 5G 12min./1cycle, period for 72min. each along X, Y, Z axes			

SAFETY & EMC	WITHSTAND VOLTAGE	I/P-O/P:3.0KVAC
	ISOLATION RESISTANCE	I/P-O/P:>100M Ohms / 500VDC / 25°C/70% RH
	EMC CONDUCTION & RADIATION	Compliance to EN55015, EN55022 (CISPR22) Class A
DIMENSION		172*62*38mm (L*W*H)

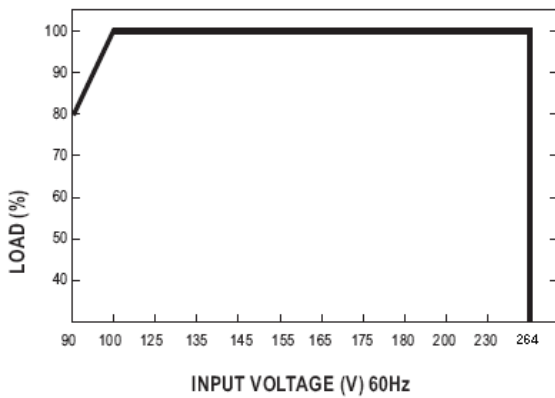
Mechanical Specification:



Block Diagram:



Static Characteristics:



Derating Curve:

