

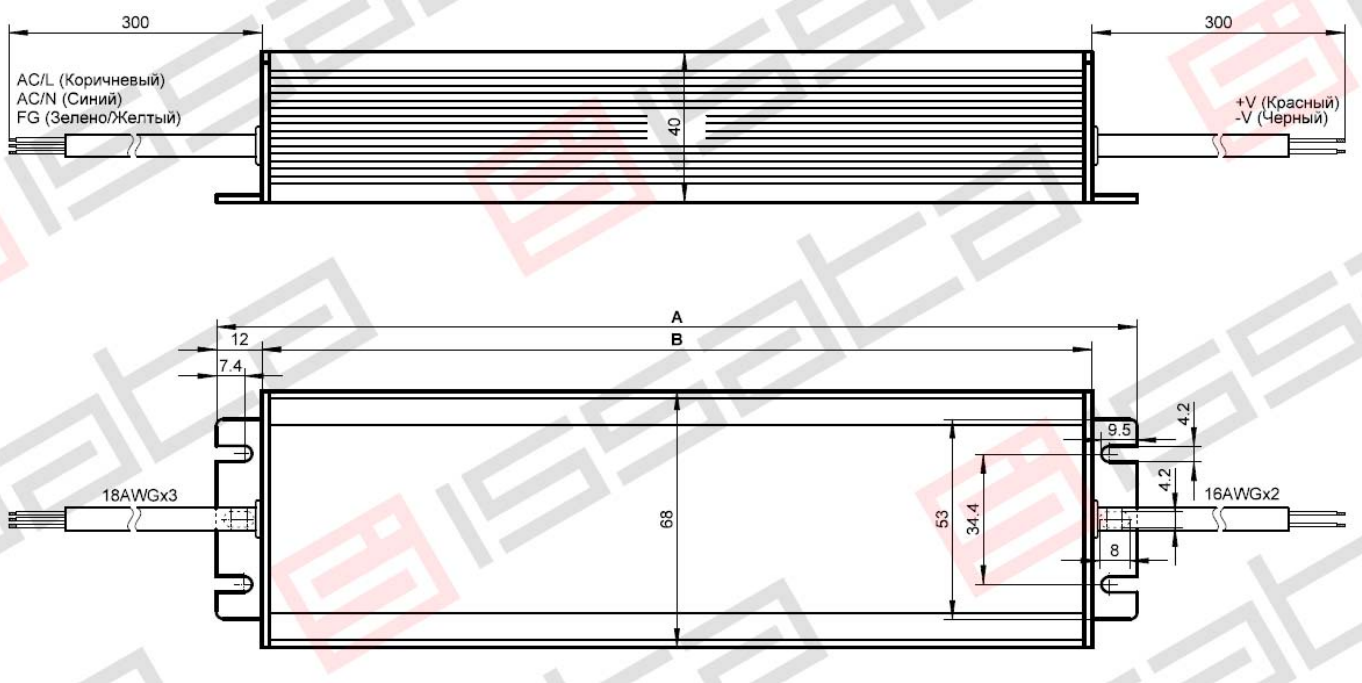
240W Dimmable High Efficiency Aluminum Case LED Driver With PFC
Features:

- Full sealed aluminum case, IP67 level
- Universal AC input/Full range
- Built-in 3 in 1 dimming function (1-10VDC, PWM or resistance)
- Built-in Active PFC function (0.99 Typical)
- High efficiency, low loss, high reliability
- Protections: Over load/ Short circuit
Over voltage/Over heat
meet 4KV surge immunity level
- CQC CE TUV UL Approval
- **Case: IAP240-5 Size: 244x68x40mm**

AC input voltage range	90-305VAC, 127-431VDC
Output over voltage protection	109%-145% rated output voltage
Start time	2500mS at full load
Withstand voltage	I/P-O/P: 3.75KVAC, I/P-FG: 2KVAC, O/P-FG: 0.5KVAC
Working temperature	-40~+70℃@(refer to temperature derating curve)
Storage temperature	-40~+85℃@100% 20%~95%RH (non condensing)
Safety standards	EN60598-1, EN60950-1, EN61347-2-13
EMC standards	EN55015, EN55022 class B, EN61000-3-2 class C
Cooling method	Free air cooling convection

Product model	P/N	DC output	Tol.	R&N	Efficiency
CC-240WK-10000PHD	1262600-18	12-24V, 10A	±5%	150mV	92.5%
CC-240WK-8000PHD	1262600-16	15-30V, 8A	±5%	200mV	92.5%
CC-240WK-6700PHD	1262600-15	18-36V, 6.7A	±5%	200mV	92.5%
CC-240WK-5720PHD	1262600-14	21-42V, 5.72A	±5%	200mV	92.5%
CC-240WK-5000PHD	1262600-13	24-48V, 5A	±5%	200mV	93%
CC-240WK-4450PHD	1262600-12	27-54V, 4.45A	±5%	200mV	93.5%

IAP240-5	
A	244
B	229.2



Dimmable

电阻阻值	单个驱动器	10KΩ	20KΩ	30KΩ	40KΩ	50KΩ	60KΩ	70KΩ	80KΩ	90KΩ	100KΩ	OPEN
	多个驱动器 (N=同步调光操作驱动器的数目)	10KΩ/N	20KΩ/N	30KΩ/N	40KΩ/N	50KΩ/N	60KΩ/N	70KΩ/N	80KΩ/N	90KΩ/N	100KΩ/N	-----
额定电流百分比		10%	20%	30%	40%	50%	60%	70%	80%	90%	100%	95%~108%

※1~10V调光功能调整输出电流值(典型值)

调整伏数	1V	2V	3V	4V	5V	6V	7V	8V	9V	10V	OPEN
额定电流百分比	10%	20%	30%	40%	50%	60%	70%	80%	90%	100%	95%~108%

※10V PWM信号调整输出电流值(典型值)频率范围:100Hz~3KHz

责任值	10%	20%	30%	40%	50%	60%	70%	80%	90%	100%	OPEN
额定电流百分比	10%	20%	30%	40%	50%	60%	70%	80%	90%	100%	95%~108%