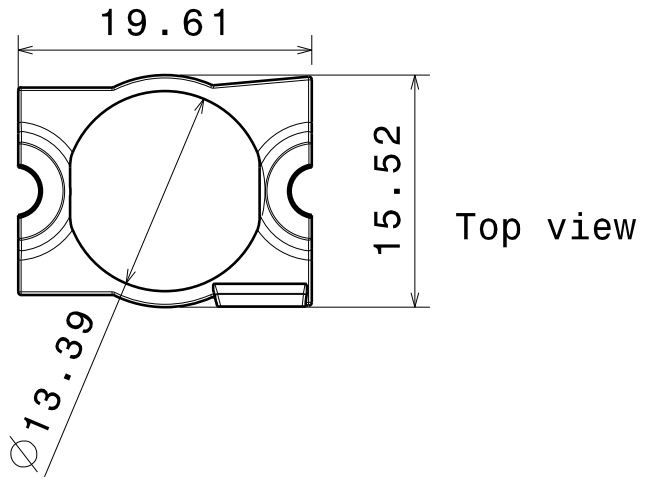
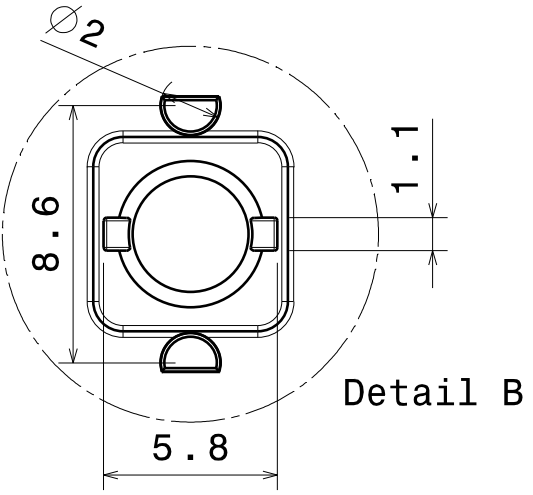
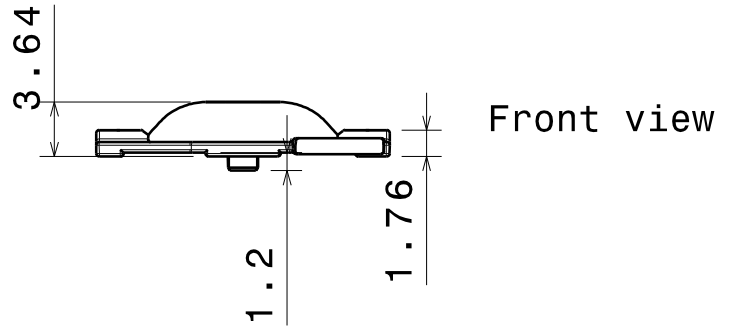
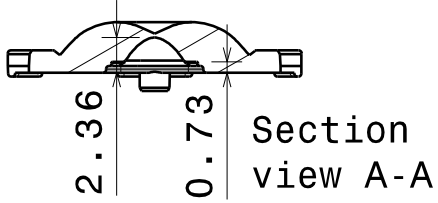
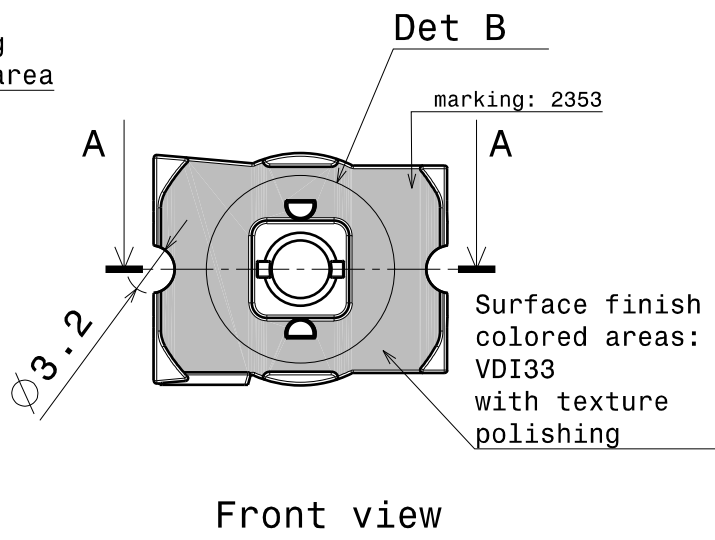
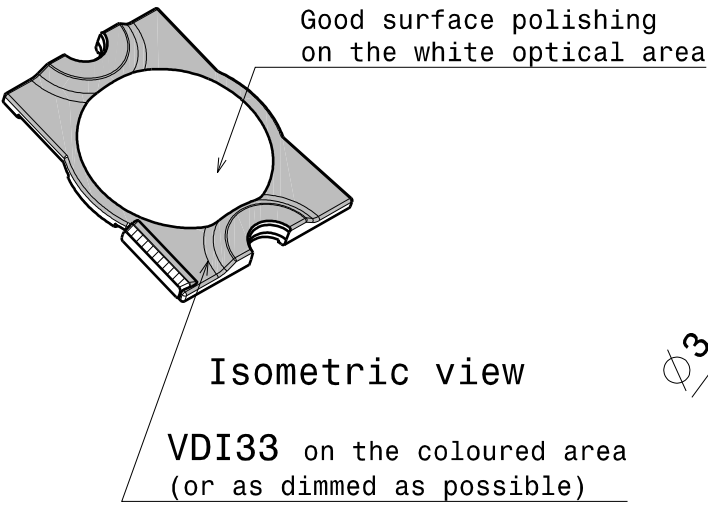


D

C

B

A



Material: PMMA
 Tolerances: +/-0.1mm
 (Dimensions are very critical with this part.)

Lens top part shared with C11345_Strada-J.

This drawing is our property. It can't be reproduced or communicated without our written agreement.



Ledil Oy
 Tehdaskatu 13
 FIN-24100 SALO
 Finland

DRAWING TITLE
Drawing Lotta-A2 Lens

DRAWN BY
 mav

DATE
 21.09.2011

CHECKED BY
 pv

DATE
 21.09.2011

SIZE **A4** DRAWING NUMBER **C12353** REV **1**

DESIGNED BY
 ol

DATE
 23.06.2010

SCALE **2:1** WEIGHT (g) SHEET **1/1**

D

A