

D

C

B

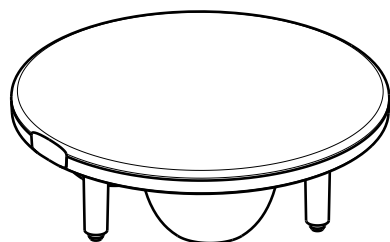
A

DATE

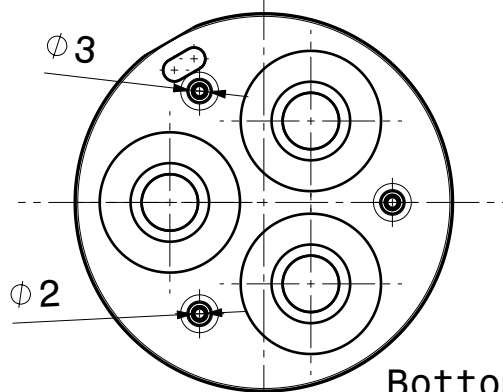
27.06.2018

4

4



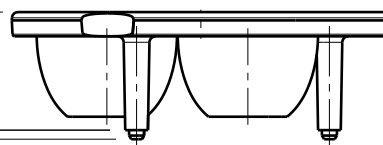
Isometric view



Bottom view

15.61

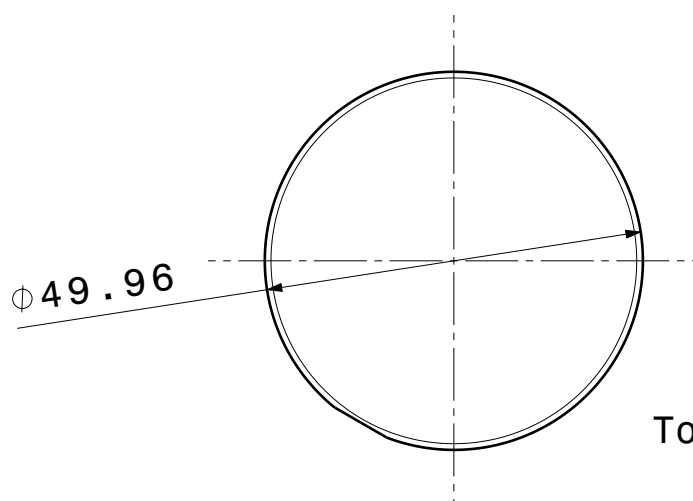
1.2



Front view

3

3



Top view

2

2

PART	TYPE	MATERIAL	COLOR / COATING
C10436_NIS83-MX-3-M	LENS	PMMA	CLEAR

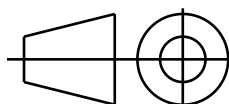
MECHANICAL DRAWING

PRODUCT

MARTHA-NIS83**LEDiL**®

Plastic moulding general tolerances according to DIN 16901-130 and applies if not otherwise shown in the drawing.
Silicone moulding general tolerances according to ISO 3302-1 Class M3 and applies if not otherwise shown in the drawing.

FIRST ANGLE PROJECTION:



This drawing is the property of LEDiL Oy. It may not be copied or otherwise distributed without prior written permission from LEDiL Oy.

1

1

SCALE

1:1

WEIGHT

-

A4

SHEET 1/1

D

A