

D

C

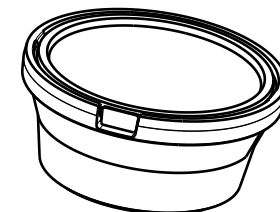
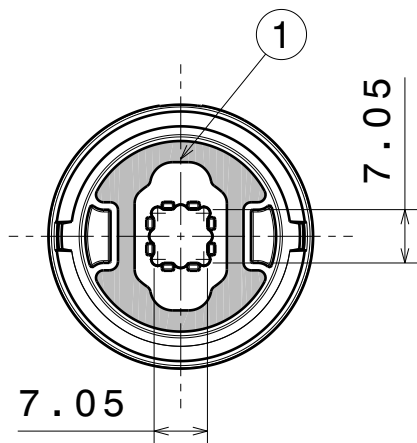
B

A

4

4

Bottom view

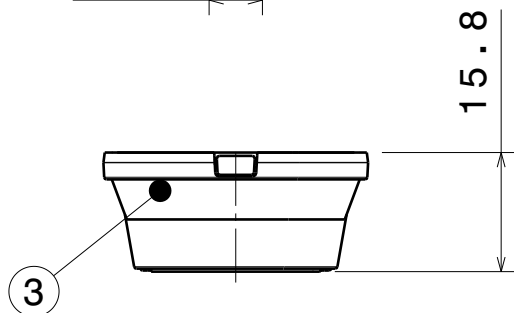


Isometric view

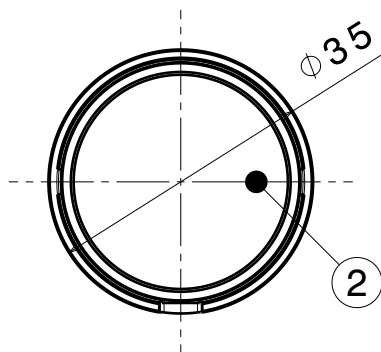
3

3

Front view



Top view



2

2

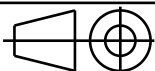
INDEX	PART NO	DESCRIPTION	MATERIAL	COLOUR
1	C10253	SPUTNIK-TAPE	PU FOAM	BLACK
2	-	MIRA-M	PMMA	CLEAR
3	C12757	MINNIE-HLD-2-WHT	PC	WHITE

Tolerances if not otherwise shown  
According to DIN ISO 2768-1  
Linear measures:  
Up to 30mm class F, otherwise class M.  
According to DIN ISO 2768-2  
Form and position: class K

LEDiL

Ledil Oy  
Joensuunkatu 13  
FIN 24100 SALO  
Finland

THIRD ANGLE PROJECTION:



DRAWING TITLE

MIRA\_MTG\_ASSEMBLY

This drawing is the property  
of LEDiL Oy. It may not be  
reproduced, copied or  
communicated without a written  
agreement with LEDiL Oy."

SIZE PART NUMBER

A4

-

SCALE 1:1 WEIGHT

-

SHEET 1/1

D

A

1

1