

LOW EMI CURRENT SENSE HIGH SIDE SWITCH

Features

- Load current feedback
- Programmable over current shutdown
- Active clamp
- ESD protection
- Input referenced to Vcc
- Over temperature shutdown
- Switching time optimized for low EMI
- Reverse battery protection
- Lead-Free, Halogen-Free, RoHS compliant

Description

The AUIR3320(S) is a fully protected 4 terminals high side switch. The input signal is referenced to Vcc. When the input voltage $V_{cc} - V_{in}$ is higher than the specified threshold, the output power Mosfet is turned on. When the $V_{cc} - V_{in}$ is lower than the specified V_{il} threshold, the output Mosfet is turned off. A current proportional to the power Mosfet current is sourced to the Ifb pin. Over current shutdown occurs when $V_{ifb} - V_{in} > 4.7V$. The current shutdown threshold is adjusted by selecting the proper R_{Ifb}. Either over current and over temperature latches off the switch. The device is reset by pulling the input pin high. Other integrated protections (ESD, reverse battery, active clamp) make the switch very rugged in automotive environment.

Product Summary

Rds(on)	4 mΩ max.
Vcc op.	6 to 26V
Current Ratio	6000
Prog. Ishutdown	10 to 55A
Vclamp	40V

Packages

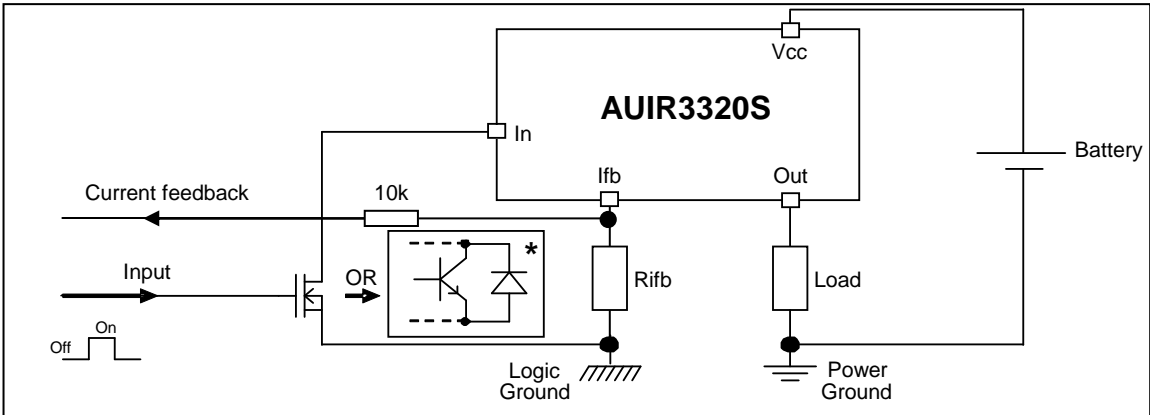


D²Pak
 Pin 4 and 5 fused
 AUIR3320S

Ordering Information

Base Part Number	Package Type	Standard Pack		Complete Part Number
		Form	Quantity	
AUIR3320S	D2-Pak-5-Leads	Tube	50	AUIR3320S
		Tape and reel left	800	AUIR3320STRL
		Tape and reel right	800	AUIR3320STRR

Typical Connection



*The diode between the collector and the emitter is necessary for the reverse battery protection

Absolute Maximum Ratings

Absolute maximum ratings indicate sustained limits beyond which damage to the device may occur. All voltage parameters are referenced to Vcc lead. (Tj=-40°..150°C, Vcc=6..26V Tambient=25°C unless otherwise specified).

Symbol	Parameter	Min.	Max.	Units
Vcc-Vin	Maximum Vcc voltage	-16	37	V
Vcc-Vin cont.	Maximum continuous Vcc voltage	-16	26	
Vcc-Vfb	Maximum lfb voltage	-16	33	
Vcc-Vout	Maximum output voltage	-0.3	37	
I _{ds} cont.	Maximum body diode continuous current R _{th} =60°C/W (1) Tambient=25°C	—	2.8	A
I _{ds} pulsed	Maximum body diode pulsed current (1)	—	100	
P _d	Maximum power dissipation R _{th} =60°C/W Tambient=25°C	—	2	W
T _j max.	Maximum operating junction temperature	-40	150	°C
	Maximum storage temperature	-55	150	
Min R _{fb}	Minimum on the resistor on lfb pin	0.3	—	kΩ
I _{fb} max.	Max. lfb current	-50	50	mA

(1) Limited by junction temperature. Pulsed is also limited by wiring

Thermal Characteristics

Symbol	Parameter	Typ.	Max.	Units
R _{th1}	Thermal resistance junction to ambient D ² -Pak Std footprint	60	—	°C/W
R _{th2}	Thermal resistance junction to ambient D ² -Pak 1" sqrt. footprint	40	—	
R _{th3}	Thermal resistance junction to case D ² -Pak	0.7	—	

Recommended Operating Conditions

These values are given for a quick design. For operation outside these conditions, please consult the application notes.

Symbol	Parameter	Min.	Max.	Units
I _{out}	Continuous output current	—	45	A
	T _{ambient} =85°C, R _{th} =5°C/W, T _j =150°C			
	T _{ambient} =85°C, R _{th} =40°C/W, T _j =150°C			
R _{ifb}	Recommended lfb resistor (2)(3)	0.3	3.5	kΩ
Pulse min.	Minimum turn-on pulse width	1	—	ms
F _{max}	Maximum operating frequency	—	200	Hz

(2) If R_{ifb} is too low, the device can be damaged.

(3) If R_{ifb} is too high, the device may not switch on.

Protection Characteristics

$T_j = -40^\circ\text{C}..150^\circ\text{C}$, $V_{cc} = 6..26\text{V}$, $R_{ifb} = 500$ to $3.5\text{k}\Omega$. Typical value are given for $V_{cc} = 14\text{V}$ and $T_j = 25^\circ\text{C}$

Symbol	Parameter	Min.	Typ.	Max.	Units	Test Conditions
Vifb-Vin@Isd	Over-current shutdown threshold	3.8	4.7	5.9	V	
Tsd	Over temperature threshold	—	165	—	$^\circ\text{C}$	See fig. 5
OV	Over voltage protection (not latched)	26	29	33	V	
Isdf	Fixed over current shutdown	55	75	105	A	Vifb < Vifb-Vin@Isd
Isd_560	Programmable over current shutdown	34	50	71		Rifb=560 Ω
Treset	Time to reset protection	—	50	500	μs	See fig. 5
Min. pulse	Min. pulse width (no WAIT state)	—	900	2000	μs	$T_j = 25^\circ\text{C}$
WAIT	WAIT function timer	0.4	1	2	ms	See fig. 4 and 5
Rds(on) rev.	Reverse battery On state resistance, $T_j = 25^\circ\text{C}$	—	4	6	m Ω	$V_{cc-Vin} = -14\text{V}$, Iout=30A
	$T_j = 125^\circ\text{C}$	—	6	9		

Static Electrical Characteristics

$T_j = -40^\circ\text{C}..150^\circ\text{C}$, $V_{cc} = 6..26\text{V}$ (unless otherwise specified). Typical value are given for $V_{cc} = 14\text{V}$ and $T_j = 25^\circ\text{C}$

Symbol	Parameter	Min.	Typ.	Max.	Units	Test Conditions
Vcc op.	Operating Voltage range	6	—	26	V	
Icc off	Supply leakage current	—	1.5	5	μA	$V_{in} = V_{cc}$, $V_{cc-Vout} = 14\text{V}$, $V_{cc-Vifb} = 14\text{V}$, $T_j = 25^\circ\text{C}$
Iin, on	On state IN positive current	1.5	3	6	mA	$V_{cc-Vin} = 14\text{V}$, $T_j = 25^\circ\text{C}$
Vih	High level Input threshold voltage (4)	—	5.4	6.3	V	
Vil	Low level Input threshold voltage (4)	4	4.9	5.8		
Vhyst	Input hysteresis Vih-Vil	0.2	0.4	1.5		
Iout	Drain to source leakage current	—	1.2	5	μA	$V_{in} = V_{cc}$, $V_{cc-Vifb} = 0\text{V}$, $V_{cc-Vout} = 14\text{V}$, $T_j = 25^\circ\text{C}$
Rds(on)	On state resistance (5) $T_j = 25^\circ\text{C}$	—	3.3	4	m Ω	Iout=30A, $V_{cc-Vin} = 14\text{V}$
	On state resistance (5) $T_j = 25^\circ\text{C}$	—	3.5	5.5		Iout=17A, $V_{cc-Vin} = 6\text{V}$
	On state resistance (5)(6) $T_j = 150^\circ\text{C}$	—	5.5	6.5		Iout=30A, $V_{cc-Vin} = 14\text{V}$
V clamp1	Vcc to Vout clamp voltage 1	36	39	43	V	Iout=50mA
V clamp2	Vcc to Vout clamp voltage 2	—	40	—	V	Iout=30A, $T_j = 25^\circ\text{C}$

(4) Input thresholds are measured directly between the input pin and the tab. Any parasitic resistance in common between the load current path and the input signal path can significantly affect the thresholds.

(5) Rds(on) is measured between the tab and the Out pin, 5mm away from the package.

(6) Guaranteed by design

Switching Electrical Characteristics

$V_{cc} = 14\text{V}$, Resistive load=0.5 Ω , $T_j = 25^\circ\text{C}$

Symbol	Parameter	Min.	Typ.	Max.	Units	Test Conditions
Tdon	Turn on delay time to 10% Vcc	70	170	300	μs	See figure 2
tr1	Rise time to $V_{cc-Vout} = 5\text{V}$	30	100	210		
tr2	Rise time to $V_{cc-Vout} = 0.1V_{cc}$	30	125	250		
Eon	Turn on energy	—	15	—	mJ	
Tdoff	Turn off delay time	30	70	140	μs	
Tf	Fall time to $V_{out} = 10\%$ of Vcc	20	100	250		
Eoff	Turn off energy	—	9	—	mJ	

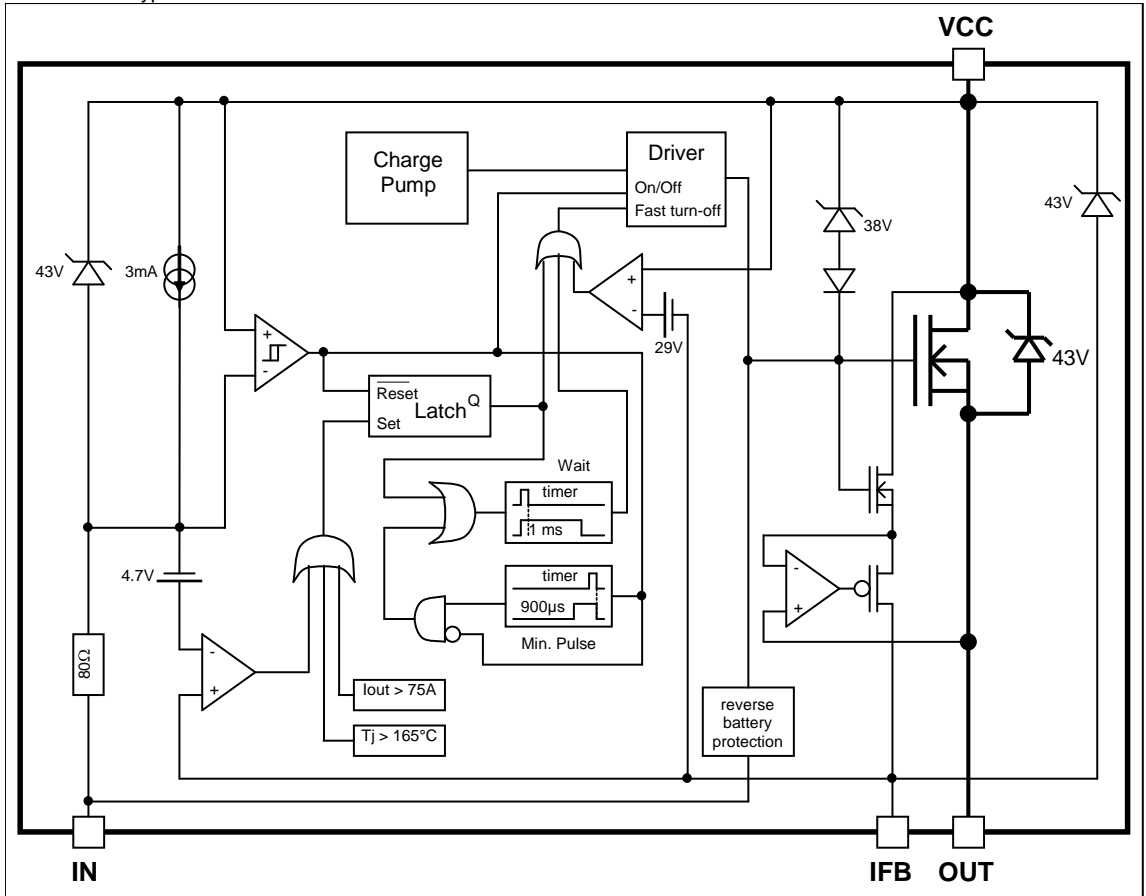
Current Sense Characteristics

$T_j = -40^{\circ}\text{C}..150^{\circ}\text{C}$, $V_{cc} = 6..26\text{V}$ (unless otherwise specified). Typical value are given for $V_{cc} = 14\text{V}$ and $T_j = 25^{\circ}\text{C}$

Symbol	Parameter	Min.	Typ.	Max.	Units	Test Conditions
Ratio	I Load/I _{fb} current ratio	4900	6000	6600	—	R _{fb} =500Ω, I _{out} =30A
Ratio_TC	I Load/I _{fb} variation over temperature (6)	-4	—	+4	%	T _j = -40°C to 150°C
Offset	Load current diagnostic offset	-0.4	0	+0.4	A	I _{out} =2A
Trst	I _{fb} response time (low signal)	—	1	—	μs	90% of the I _{out} step

Functional Block Diagram

All values are typical



Lead Assignments

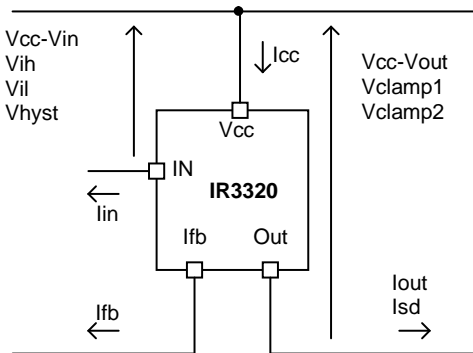
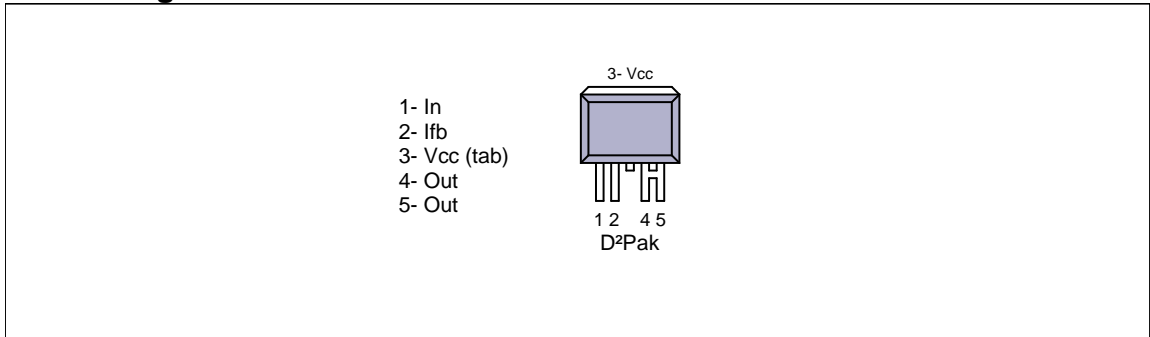


Figure 1 – Voltages and current definitions

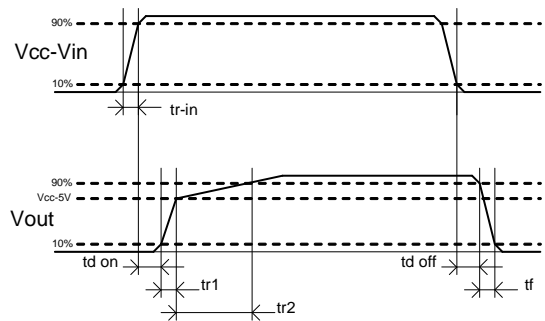
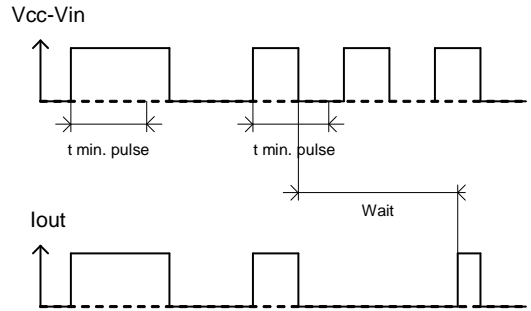
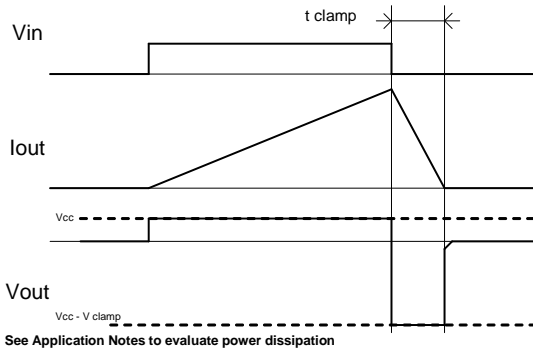
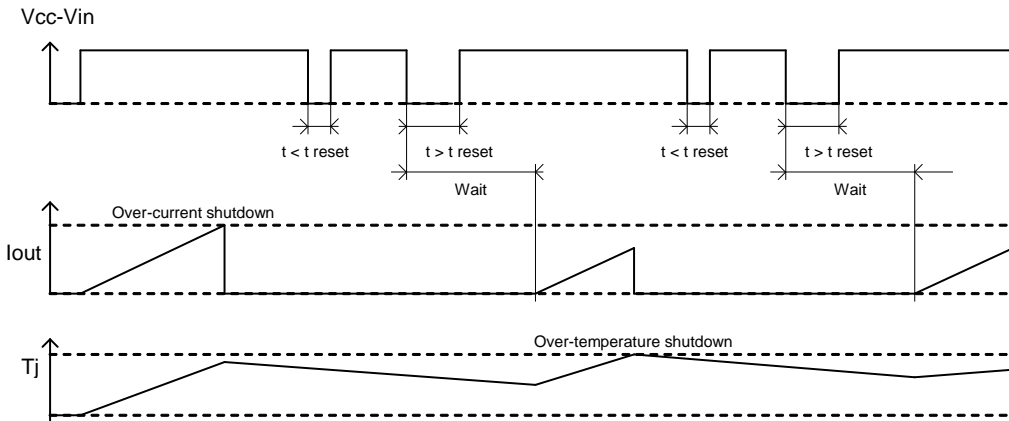


Figure 2 – Switching time definitions


Figure 3 – Active clamp waveforms
Figure 4 – Min. pulse and Wait function

Figure 5 – Protection Timing Diagrams

All curves are typical characteristics. $T_j=25^\circ\text{C}$, $R_{ifb}=500\text{ohm}$, $V_{cc}=14\text{V}$ (unless otherwise specified).

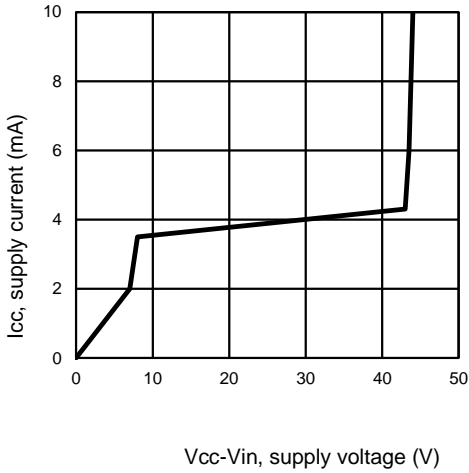


Figure 6 – Icc (mA) Vs Vcc-Vin (V)

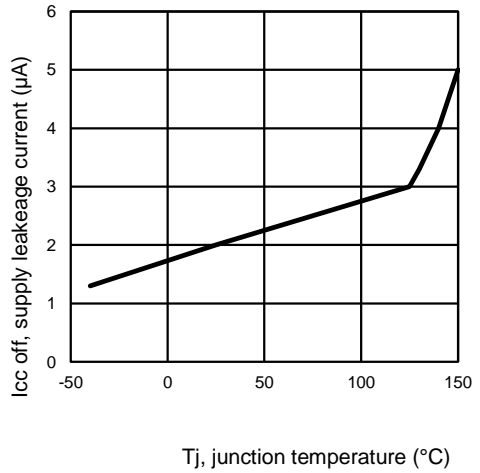


Figure 7 – Icc off (µA) Vs Tj (°C)

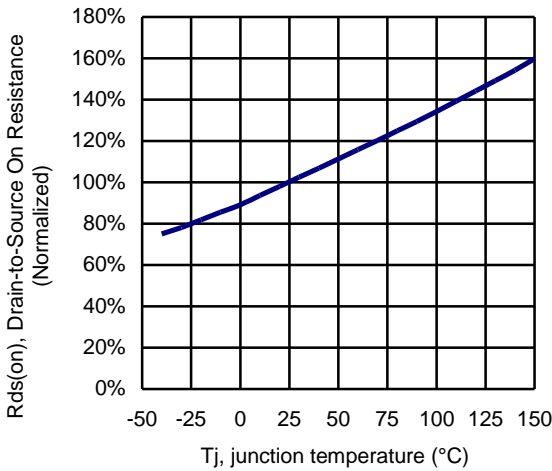


Figure 8 - Normalized Rds(on) (%) Vs Tj (°C)

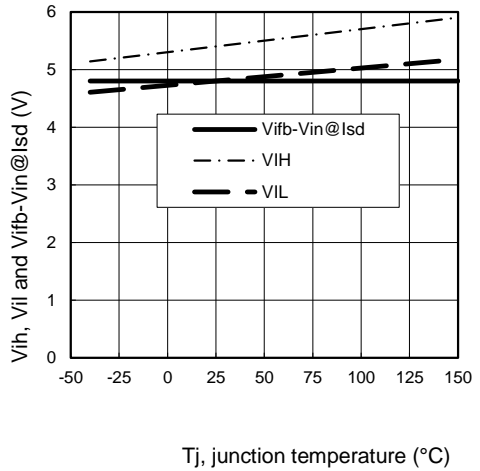
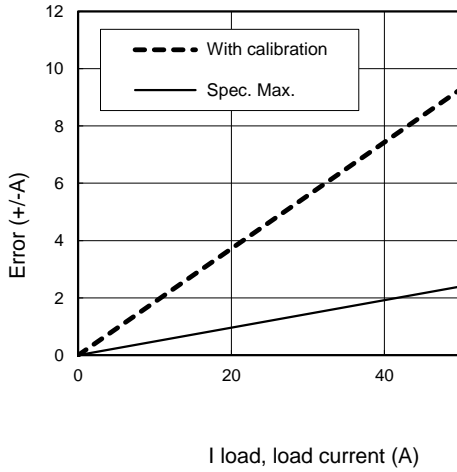
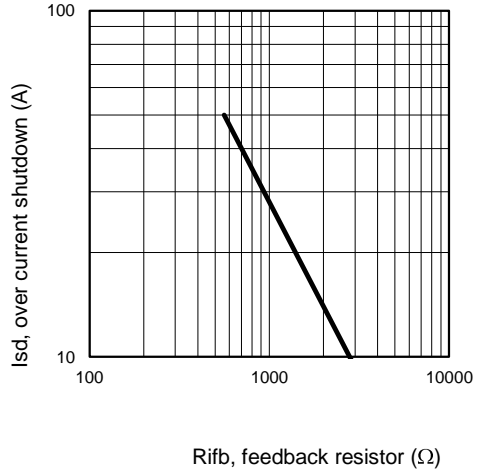
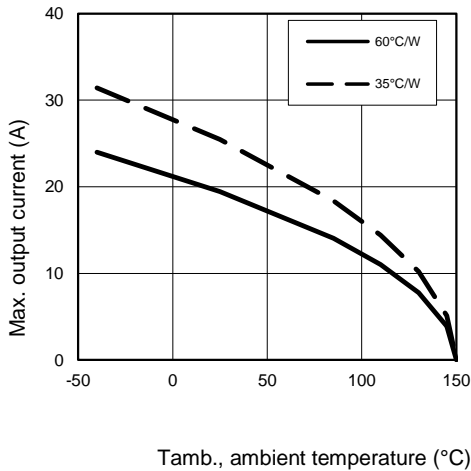
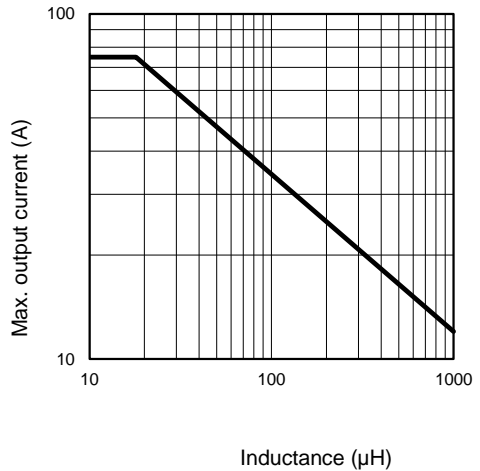
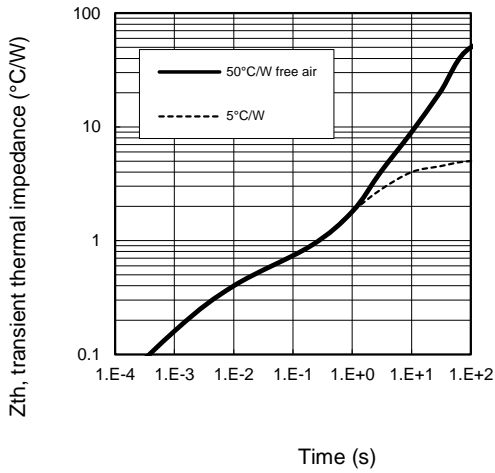


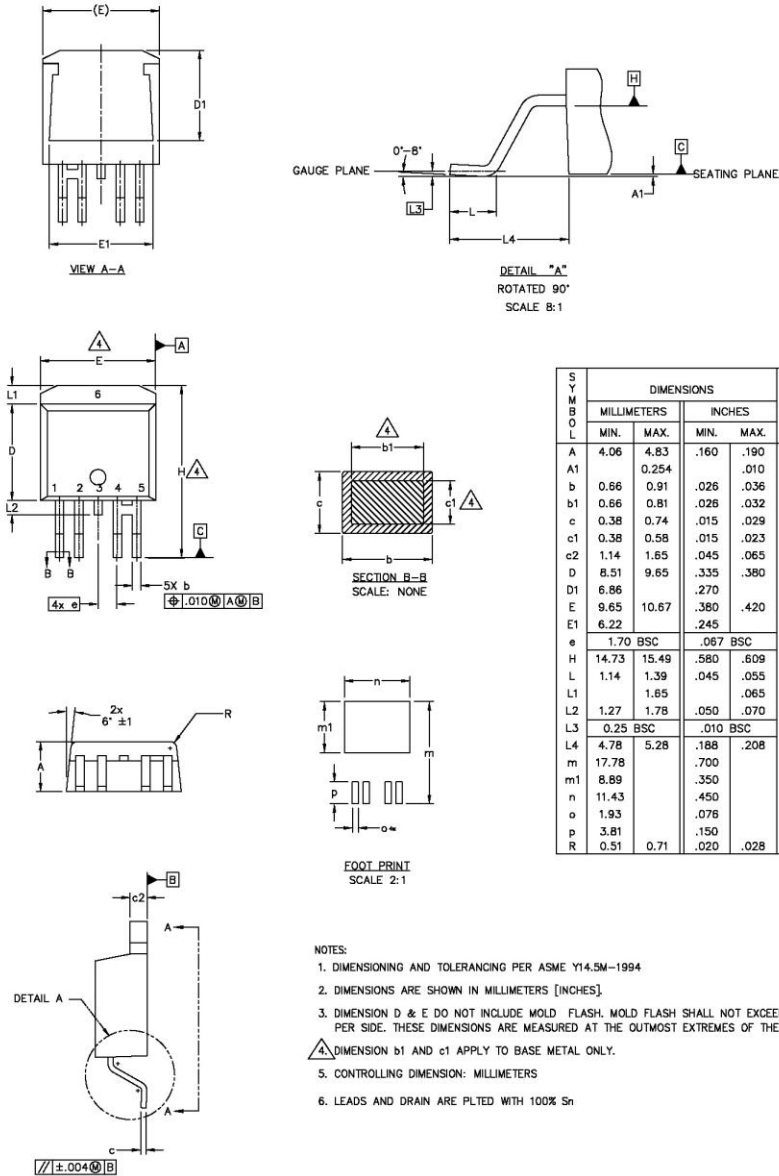
Figure 9 – Vih, Vil and Vifb-Vin@Istd (V) Vs Tj (°C)


Figure 10 – Error (+/- A) Vs I load (A)

Figure 11 – Ids (A) Vs Rifb (Ω)

Figure 12 – Max. iout (A) Vs Tamb. (°C)

Figure 13 – Max. iout (A) Vs inductance (μH)

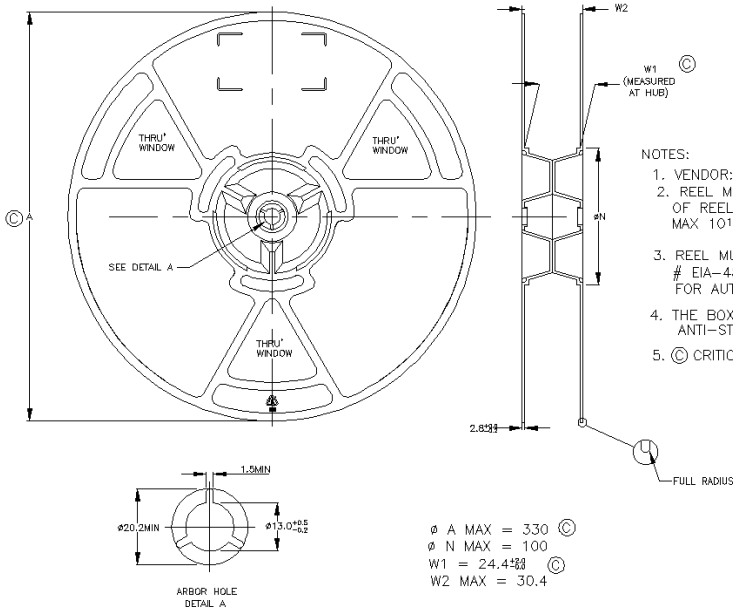


**Figure 14 – Transient thermal impedance (°C/W)
Vs time (s)**

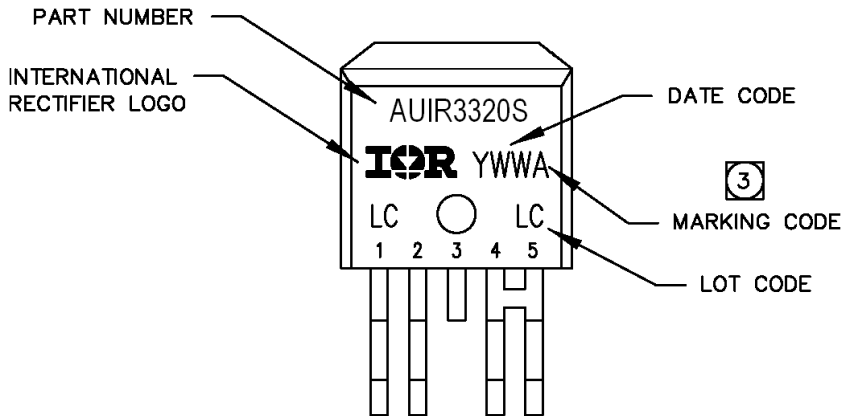
Case Outline - D2PAK - 5 Leads



Tape & Reel - D2PAK – 5 leads



Part Marking Information



Qualification Information[†]

Qualification Level		Automotive (per AEC-Q100 ^{††})	
		Comments: This family of ICs has passed an Automotive qualification. IR's Industrial and Consumer qualification level is granted by extension of the higher Automotive level.	
Moisture Sensitivity Level		D2PAK-5L	MSL1, 260°C (per IPC/JEDEC J-STD-020)
ESD	Machine Model	Class M3 (400V) (per AEC-Q100-003)	
	Human Body Model	Class H2 (4,000 V) (per AEC-Q100-002)	
	Charged Device Model	Class C4 (1000 V) (per AEC-Q100-011)	
IC Latch-Up Test		Class II, Level A (per AEC-Q100-004)	
RoHS Compliant		Yes	

[†] Qualification standards can be found at International Rectifier's web site <http://www.irf.com/>

^{††} Exceptions to AEC-Q100 requirements are noted in the qualification report.

IMPORTANT NOTICE

Unless specifically designated for the automotive market, International Rectifier Corporation and its subsidiaries (IR) reserve the right to make corrections, modifications, enhancements, improvements, and other changes to its products and services at any time and to discontinue any product or services without notice. Part numbers designated with the "AU" prefix follow automotive industry and / or customer specific requirements with regards to product discontinuance and process change notification. All products are sold subject to IR's terms and conditions of sale supplied at the time of order acknowledgment.

IR warrants performance of its hardware products to the specifications applicable at the time of sale in accordance with IR's standard warranty. Testing and other quality control techniques are used to the extent IR deems necessary to support this warranty. Except where mandated by government requirements, testing of all parameters of each product is not necessarily performed.

IR assumes no liability for applications assistance or customer product design. Customers are responsible for their products and applications using IR components. To minimize the risks with customer products and applications, customers should provide adequate design and operating safeguards.

Reproduction of IR information in IR data books or data sheets is permissible only if reproduction is without alteration and is accompanied by all associated warranties, conditions, limitations, and notices. Reproduction of this information with alterations is an unfair and deceptive business practice. IR is not responsible or liable for such altered documentation. Information of third parties may be subject to additional restrictions.

Resale of IR products or serviced with statements different from or beyond the parameters stated by IR for that product or service voids all express and any implied warranties for the associated IR product or service and is an unfair and deceptive business practice. IR is not responsible or liable for any such statements.

IR products are not designed, intended, or authorized for use as components in systems intended for surgical implant into the body, or in other applications intended to support or sustain life, or in any other application in which the failure of the IR product could create a situation where personal injury or death may occur. Should Buyer purchase or use IR products for any such unintended or unauthorized application, Buyer shall indemnify and hold International Rectifier and its officers, employees, subsidiaries, affiliates, and distributors harmless against all claims, costs, damages, and expenses, and reasonable attorney fees arising out of, directly or indirectly, any claim of personal injury or death associated with such unintended or unauthorized use, even if such claim alleges that IR was negligent regarding the design or manufacture of the product.

IR products are neither designed nor intended for use in military/aerospace applications or environments unless the IR products are specifically designated by IR as military-grade or "enhanced plastic." Only products designated by IR as military-grade meet military specifications. Buyers acknowledge and agree that any such use of IR products which IR has not designated as military-grade is solely at the Buyer's risk, and that they are solely responsible for compliance with all legal and regulatory requirements in connection with such use.

IR products are neither designed nor intended for use in automotive applications or environments unless the specific IR products are designated by IR as compliant with ISO/TS 16949 requirements and bear a part number including the designation "AU". Buyers acknowledge and agree that, if they use any non-designated products in automotive applications, IR will not be responsible for any failure to meet such requirements.

For technical support, please contact IR's Technical Assistance Center

<http://www.irf.com/technical-info/>

WORLD HEADQUARTERS:

101 N Sepulveda Blvd., El Segundo, California 90245

Tel: (310) 252-7105

Revision History

Revision	Date	Notes/Changes
A7	June, 4 th 2012	Initial release
A8	August, 13rd 2012	-Update switching limits -Update Iratio max limit
A9	August, 30 th 2012	Update Tj max.